

9048 Pressure Switch

Sealed Piston

Series 9048, T9048



T9048



9048



Barksdale's 9048 Series Sealed Piston Pressure Switches offer

extremely long life in a robust package, making them the ideal solution to your industrial pressure control needs. Sealed piston switches are ideal for applications demanding rapid cycling at high pressure. Available in various pressure ranges up to 12,000 psi, piston switches are suitable for use in industrial applications such as hydraulic presses, compactors, and machine tools. All models feature a durable, anodized aluminum enclosure with an integrated 1/2" NPT conduit connector, a tamper-resistant setpoint adjustment screw and are rated to NEMA 13 as a standard. An optional terminal box with built-in conduit connector simplifies wiring connections. For applications requiring a highly accurate switch in a durable package, Barksdale's Series 9048 Sealed Piston Pressure Switches are the ideal choice.

- ✦ High Reliability
- ✦ Extremely Long Life
- ✦ Oil & Dust Tight
- ✦ Easy Setpoint Adjustment
- ✦ High Proof Pressure



TR Automatyka Sp. z o.o.

ul. Lechicka 14
02-156 Warszawa
tel. +48 (22) 886 10 16, fax. +48 (22) 846 50 37
NIP: 522-27-58-993
<http://www.trautomatyka.pl>
e-mail: biuro@trautomatyka.pl

9048 Pressure Switch

With Barksdale - Pressure's No Problem

As a recognized leader in the manufacture of pressure product solutions, Barksdale pressure switches meet the demanding needs of our customers. From 29" Hg to 18,000 psi, Barksdale has pressure switches for a variety of applications - from transformers to natural gas compressors to beverage dispensers - and more!

Barksdale's Series 9048 Sealed Piston

Pressure Switches provide an economical solution for your pressure sensing needs. Sealed piston switches accurately control pressures from 20 to 12,000 psi positive pressure, and can be factory pre-set upon request. Setpoint adjustment is easily accomplished by turning the adjustment screws, which are protected by a tamper-resistant cover on housed models. A variety of available factory options allows the sealed piston switches to be configured to the exact needs of your application.

Sealed Piston Pressure Switch Applications

With its rugged design and high repeatability,

Barksdale's Series 9048 Sealed Piston

Pressure Switches provide an accurate and reliable solution for pressures up to 12,000 psi, making them ideal for use in:

- Machine Tools
- Hydraulic Presses
- Compressors
- Hydraulic Power Units
- Compressors



Need Something Special?

If you have special product requirements, we can help. Barksdale specializes in custom design solutions to meet your needs. Our reputation is built on creating custom products for customers committed to getting exactly what they need. We have design engineers and technical specialists who are experts in solving your unique pressure problems. Our technology and resources are at your disposal.

9048 Pressure Switch

Electrical Characteristics All models incorporate Underwriters Laboratories, Inc. and CSA Listed single pole double throw snap-action switching elements.

Performance Characteristics
Accuracy ± 2% of the adjustable range
Switch Type SPDT Snap Action; single circuit
Rating 10 Amps @ 125, 250, or 480 VAC; 0.3 Amps @ 250 VDC (Class B Limit Switch)

Physical
Shipping Weight 9048 Series: 2.5 lbs. approximate
 T9048 Series: 3.0 lbs. approximate

Wetted Parts
Process Fitting 300 Series Stainless Steel
O-ring Buna-N
Piston 416 Stainless Steel
Enclosure Anodized Aluminum
Ratings NEMA 13
Pressure Connection 1/4"-18 NPT Female
Electrical Connection Through 1/2" NPT conduit connection to screw terminals

Approvals
PED (European) Compliant to PED 97/23/EC
CSA (Optional) CSA File No. 022355-0-000; Maximum allowable voltage 300 VAC.

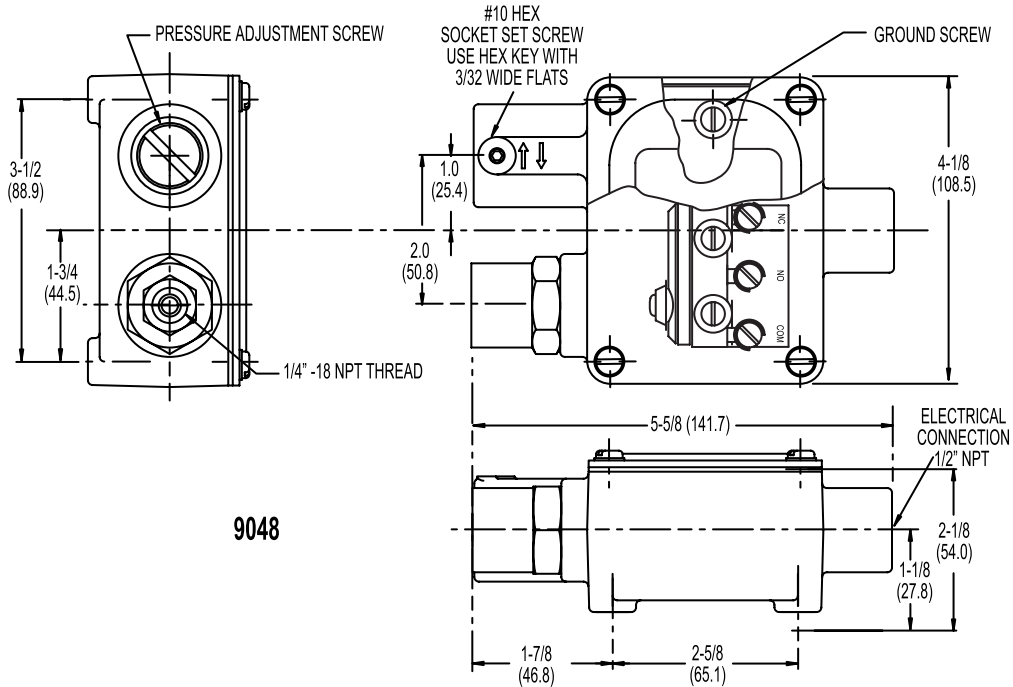
Environmental
Temperature Range
Operating -20° to +165°F (-29° to +74°C)
Storage -40° to +200 °F (-40° to +93°C)

Adjustment Instructions
Setpoint Loosen setscrew with a #10 allen wrench. With screwdriver, turn adjustment screw clockwise to increase setpoint, counterclockwise to decrease setpoint. Tighten setscrew after desired setting is reached.

Wiring Code for T9048	
Lead	Color
Normally Closed	Blue
Common	Purple
Normally Open	Red

See drawing below for 9048 wiring.

Consult Factory for These Options
 Factory Pre-set
 Cleaned for oxygen service
 CSA Approval



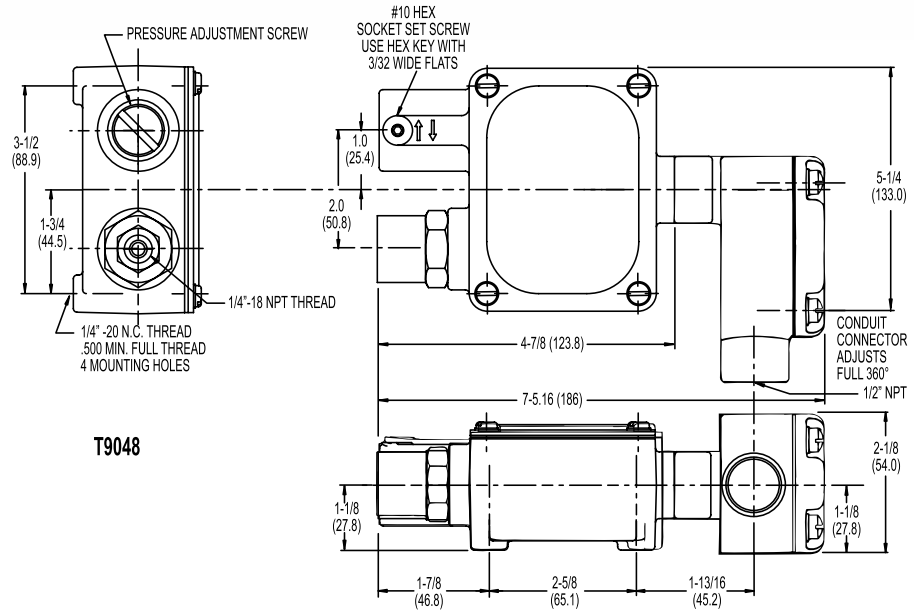
9048

9048 Pressure Switch

Sealed Piston
Series 9048, T9048

Base Model	T	Junction box with terminal strip	9048	Base part number				
Pressure Range	Adjustable Range				Approx. Deadband (Actuation Value)	Proof Pressure		
	Decreasing - psi (bar)		Increasing - psi (bar)					
		Min	Max	Min	Max	psi-bar	psi (bar)	
	1	35 (2.4)	235 (16.0)	40 (2.7)	250 (17.0)	5 - 15 (.3 - 1.0)	4500 (306)	
	2	50 (3.4)	460 (31.2)	60 (4.1)	500 (34.0)	10 - 40 (.7 - 2.7)	6000 (408)	
	3	100 (6.8)	1425 (96.9)	115 (7.8)	1500 (102)	15 - 75 (1.0 - 5.1)	7500 (510)	
	4	200 (13.6)	2825 (192)	240 (16.3)	3000 (204)	40 - 175 (2.7 - 11.9)	10000 (680)	
	5	350 (23.8)	4650 (316)	395 (26.9)	5000 (340)	45 - 350 (3.1 - 23.8)	10000 (680)	
	6	700 (47.6)	9450 (643)	815 (55.4)	10000 (680)	115 - 550 (7.8 - 37.4)	15000 (1020)	
	12	700 (47.6)	11250 (765)	815 (55.4)	12000 (816)	115 - 750 (7.8 - 51.0)	20000 (1361)	
O-Ring	(Blank)	Buna-N (standard)						
	-E	EPR						
	-N	Neoprene						
	-V	Viton®						
	-Z11	Buna-N, 90 shore hardness						
Options					-CS	CSA Certification		
					-Z1	Cleaned for oxygen service		
Example:	T	9048	-3					

Miscellaneous:
 Paper Tag \$5.00
 Metal Tag: \$10.00



TR Automatyka Sp. z o.o.
 ul. Lechicka 14
 02-156 Warszawa
 tel. +48 (22) 886 10 16, fax. +48 (22) 846 50 37
 NIP: 522-27-58-993
 http://www.trautomatyka.pl
 e-mail: biuro@trautomatyka.pl