

9617 Pressure Switch

**Sealed Piston
Series 9617**

- ✦ High Reliability
- ✦ Extremely Long Life
- ✦ Calibrated Dial for Easy Setpoint Adjustment
- ✦ UL & CSA Listed
- ✦ High Proof Pressure



Barksdale's Series 9617 Sealed Piston Pressure Switches offer extremely long life in a robust package, making them the ideal solution to your industrial pressure control needs. Sealed piston pressure switches are ideal for applications demanding rapid cycling at high pressure. Available in various pressure ranges up to 7,500 psi, sealed piston switches are suitable for use in industrial applications such as hydraulic presses, compactors, and machine tools. All models feature a durable, anodized aluminum enclosure with a tamper proof adjustment screw cover and an integrated 1/2" NPT conduit connector, and are rated to NEMA 4 as a standard. A clear cover allows easy viewing of the calibrated adjustment scale. For applications requiring a highly accurate switch in a durable package, Barksdale's Series 9617 Sealed Piston Pressure Switches are the ideal choice.



TR Automatyka Sp. z o.o.

ul. Lechicka 14
02-156 Warszawa
tel. +48 (22) 886 10 16, fax. +48 (22) 846 50 37
NIP: 522-27-58-993
<http://www.trautomatyka.pl>
e-mail: biuro@trautomatyka.pl

9617 Pressure Switch

With Barksdale - Pressure's No Problem

As a recognized leader in the manufacture of pressure product solutions, Barksdale pressure switches meet the demanding needs of our customers. From 29" Hg to 18,000 psi, Barksdale has pressure switches for a variety of applications - from transformers to natural gas compressors to beverage dispensers - and more!

Barksdale's Series 9617 Sealed Piston Pressure Switches provide an economical solution for your pressure sensing needs. Sealed Piston switches accurately control pressures from 80 to 7,500 psi positive pressure, and can be factory pre-set upon request. Setpoint adjustment is easily accomplished by turning the adjustment screws, which are protected by a tamper-resistant cover on housed models. A variety of available factory options allows the sealed piston switches to be configured to the exact needs of your application.

Sealed Piston Pressure Switch Applications

With its rugged design and high repeatability, **Barksdale's Series 9617 Sealed Piston Pressure Switches** provide an accurate and reliable solution for pressures up to 7,500 psi, making them ideal for use in:

- Machine Tools
- Hydraulic Presses
- Compactors and Balers
- Hydraulic Power Units
- Compressors



Need Something Special?

If you have special product requirements, we can help. Barksdale specializes in custom design solutions to meet your needs. Our reputation is built on creating custom products for customers committed to getting exactly what they need. We have design engineers and technical specialists who are experts in solving your unique pressure problems. Our technology and resources are at your disposal.

9617 Pressure Switch

Electrical Characteristics All models incorporate Underwriters Laboratories, Inc. and CSA Listed single pole double throw snap-action switching elements.

Performance Characteristics
Accuracy ± 2% of the adjustable range
Switch Type SPDT Snap Action; single circuit
Rating 15 Amps @ 125, 250, or 480 VAC (Class B)

Physical
Shipping Weight 1.75 lbs. approximate
Wetted Parts
Process Fitting Brass
O-ring Buna-N
Piston 416 Stainless Steel
Enclosure Anodized Aluminum
Ratings NEMA 4
 NEMA 13

Pressure Connection 1/4" NPT Female
Electrical Connection Through 1/2" NPT conduit connection to screw terminals

Approvals
PED (European) Compliant to PED 97/23/EC
UL UL File No. E42816
CSA CSA listed under Guide 380-W-1.16; Class 3231; File No. LR22355

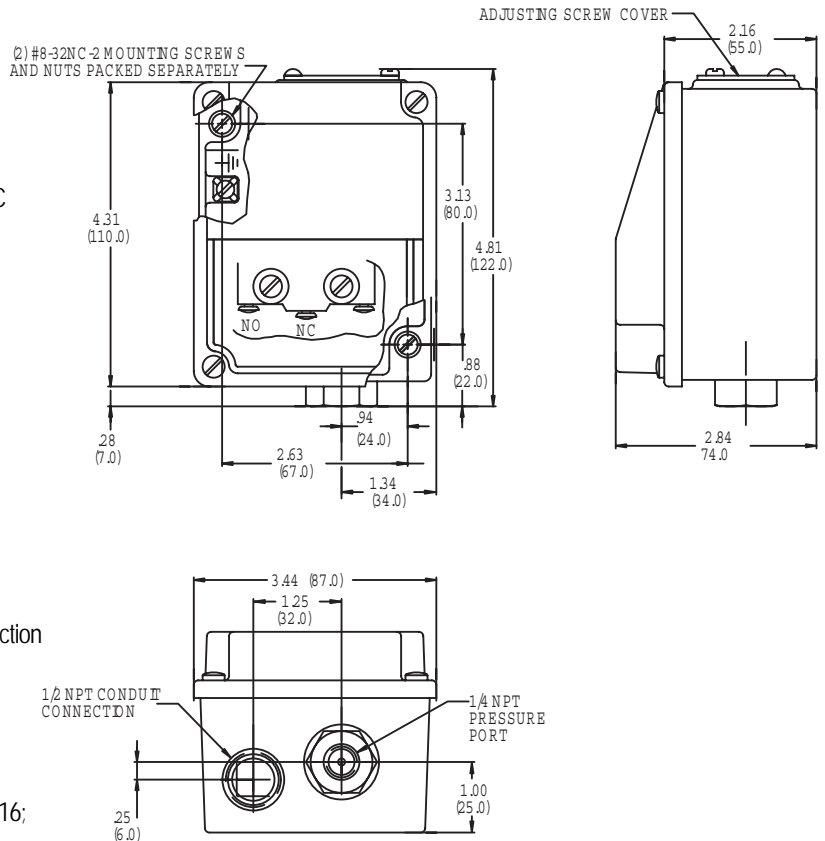
Environmental
Temperature Range
Operating -20° to +165°F (-29° to +74°C)
Storage -40° to +200°F (-40° to +93°C)

Adjustment Instructions
Setpoint: Loosen adjustment screw cover and open. Using a 5/16" allen wrench, turn adjustment screw clockwise to increase setpoint, counterclockwise to decrease setpoint. The setpoint indicator (located inside enclosure) provides a visual indication of the approximate setpoint.

Wiring Code
 Normally Open (NO), Normally Closed (NC), and Common (C) terminals are identified on the limit switches

Consult Factory for These Options

- Factory Pre-set
- Cleaned for oxygen service
- Stainless steel fitting



9617 Pressure Switch

Sealed Piston

Series 9617

Base Model	9617	Base part number					
Pressure Range		Adjustable Range				Approx. Deadband (Actuation Value)	Proof Pressure
		Decreasing - psi (bar)		Increasing - psi (bar)			
		Min	Max	Min	Max	psi-(bar)	psi (bar)
		3	80 (5.4) 1400 (95.2)	120 (8.2) 1500 (102)	40 - 100 (2.7 - 6.8)	7500 (510)	
4	180 (12.2) 2800 (190)	230 (15.6) 3000 (204)	50 - 200 (3.4 - 13.6)	10000 (680)			
5	295 (20.0) 4650 (316)	375 (25.5) 5000 (340)	80 - 350 (5.4 - 23.8)	10000 (680)			
6	450 (30.6) 7100 (483)	575 (39.1) 7500 (510)	125 - 400 (8.5 - 27.2)	15000 (1020)			
Process Connection		(Blank)	Brass, 1/4" NPT Female (Standard)				
		-SS	316 Stainless Steel, 1/4" NPT Female				
Options		-E	EPR				
		-N	Neoprene				
		-V	Viton®				
		-Z11	Buna-N, 90 shore hardness				
		-Z13	Disogrin				
		-Z1	Cleaned for oxygen service				
		-Z12	Gold contact limit switch				
Example:	9617	3	*-SS	*-V	*-Z1		

Miscellaneous:	
Paper Tag	\$5.00
Metal Tag:	\$10.00



TR Automatyka Sp. z o.o.
 ul. Lechicka 14
 02-156 Warszawa
 tel. +48 (22) 886 10 16, fax. +48 (22) 846 50 37
 NIP: 522-27-58-993
 http://www.trautomatyka.pl
 e-mail: biuro@trautomatyka.pl