

Compact Pressure Switch Type 9671X / 9681X

Explosion proof housing for Ex-applications, accuracy class 2% f. s.

Features

Dia-Seal Piston Sensor
 Safe to Adjust During Operation
 Tamper Resistant Cover
 1 Switching Contact SPDT
 Flameproof Enclosure acc. ATEX
 Option: 1 Switching Contact
 for Separate Circuits, DPDT-Function

Measuring Ranges

9671X: 0,034 bar ...-1 bar Vacuum
 9681X: 0,1 ...1,0 bar up to 3,4 ... 34,5 bar Relative Pressure

Applications

Process Industry, Petrochemical Plants,
 Machine Tool Industry, Compressors



Technical Data

Accuracy	: ±2% f. s.
Switching Frequency	: max. 30 / min
Ambient Temperature	: -30 ... +75 °C
Process Connection	: 1/4" NPT Female
Option	: 1/2" NPT Male
Electrical Connection	: 1/2" NPT Male Conduit Connector 18 AWG 18", (300 mm) Freeleads, PVC Jacket
Switch Type	: 1 Switch Contact, SPDT
Rating	: 11 A, 125 / 250 V AC 5 A, 30 V DC 1 A, 125 V DC
Option	: 1 Switching Contact, 1 x DPDT
Protection Class	: IP65
Housing	: Stainless Steel, Explosion Proof
Wetted Parts	
Process Fitting	: Stainless Steel
Seals	: Viton Diaphragm
Piston	: Stainless Steel
Set Point	: Turn the adjustment wheel clockwise to increase the set point
Weight (appr.)	: 375 g
Vibration	: 10 g Sine Peak, 10...500 Hz, MIL-STD 202F

Shock	: 50 g Sine Peak, 11 ms, MIL-S-901C
Approvals	: CENELEC EEx d II C T6 : UL #E37043, CSA #LR22354 and Division I Class I, Group A, B, C & D; Class II, Group E, F & G
Certificate-No.	: LCIE 98.D6008.X LCIE 02 ATEX 6027X
Standard Options	: Dual Circuit, 2 SPDT Switches with DPDT Function : Gold Contact Limit Switch, 1 A, 125 V AC : Ex-Terminal Box : Tamper Proof Cover

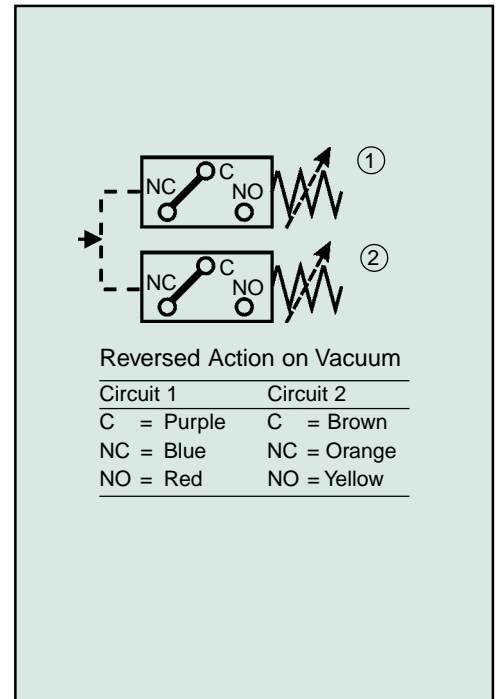
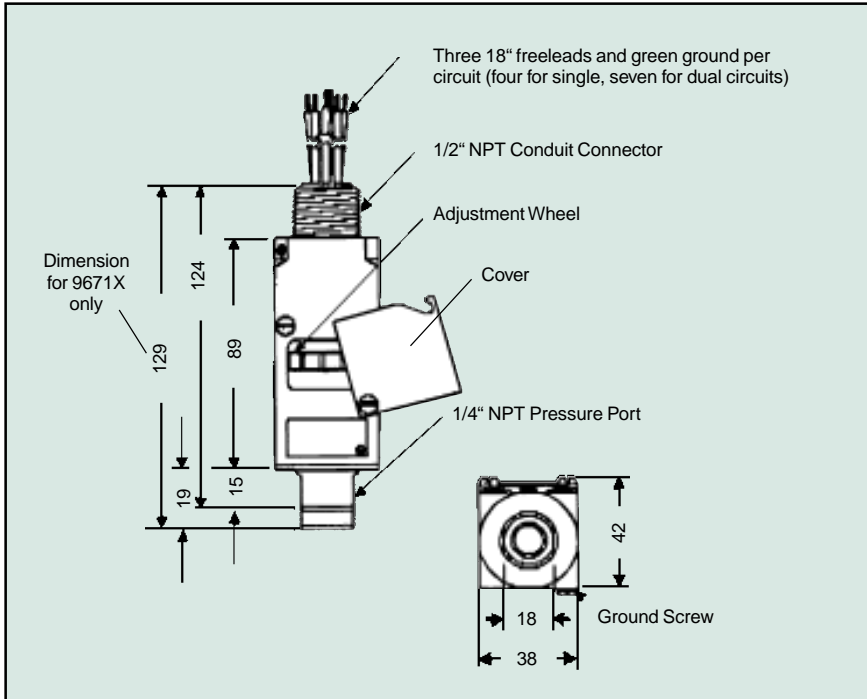
Compact Pressure Switch Type 9671X / 9681X

Dimensions (in mm)

Wiring Code for all Types (Contact status at atmospheric pressure)

05 / 03 KDM-ENG 03 / 2

Barksdale Mechanical Pressure Switches



Wiring Code

Lead Function	Pressure 9681X		Vacuum 9671X	
	Circuit 1	Circuit 2	Circuit 1	Circuit 2
Normally Open/NO	Red	Yellow	Blue	Orange
Common/C	Purple	Brown	Purple	Brown
Normally Closed/NC	Blue	Orange	Red	Yellow
Ground	Green		Green	

Pressure Ranges (bar)

Order-No. 1 Switch Contact SPDT	Order-No. 1 Switch Contact DPDT	Pressure Ranges	Adjustment Ranges				Approx. Actuation Difference	Proof Pressure
			Decreasing		Increasing			
			min.	max.	min.	max.		
9681X-1CC-1	9681X-2CC-1	1,0	0,1	0,8	0,2	1,0	0,1...0,2	69
9681X-1CC-2	9681X-2CC-2	10,3	0,3	8,6	0,5	10,3	0,1...1,7	69
9681X-1CC-3	9681X-2CC-3	20,7	1,7	17,2	2,2	20,7	0,5...2,8	69
9681X-1CC-4	9681X-2CC-4	34,5	3,4	30,3	4,5	34,5	1,0...4,1	69
Vacuum Switches								
9671X-1CC	9671X-2CC	1	0,034	0,71	0,17	1	0,14...0,3	2

Subject to technical changes.

Accessories

Order Number	Description
903-0539	EExd - Terminal box incl. terminal
999-0081	Tamper proof cover with two head cap screws with holes for wire and seal



TR Automatyka Sp. z o.o.
 ul. Lechicka 14
 02-156 Warszawa
 tel. +48 (22) 886 10 16, fax. +48 (22) 846 50 37
 NIP: 522-27-58-993
 http://www.trautomatyka.pl
 e-mail: biuro@trautomatyka.pl