

9675, A9675 Pressure Switch

Sealed Piston, Double Make, Double Break
Series 9675, A9675



- ✦ Extremely Long Life
- ✦ Calibrated Dial for Easy Setpoint Adjustment
- ✦ Tamper-proof External Adjustment
- ✦ Oil & Dust Tight
- ✦ Easy Setpoint Adjustment

Barksdale's Series 9675 & A9675 Sealed Piston Pressure Switches offer extremely long life in a robust package, making them the ideal solution to your industrial pressure control needs. Sealed Piston switches are ideal for applications demanding rapid cycling at high pressure. Available in various pressure ranges up to 6,000 psi, sealed piston switches are suitable for use in industrial applications such as hydraulic presses, compactors, and machine tools. All models feature a durable, anodized aluminum enclosure with a tamper proof adjustment screw cover and an integrated 1/2" NPT conduit connector, and are rated to NEMA 13 as a standard. For applications requiring a highly accurate switch in a durable package, Barksdale's Series 9675 & A9675 Sealed Piston Pressure Switches are the ideal choice.



TR Automatyka Sp. z o.o.

ul. Lechicka 14
 02-156 Warszawa
 tel. +48 (22) 886 10 16, fax. +48 (22) 846 50 37
 NIP: 522-27-58-993
<http://www.trautomatyka.pl>
 e-mail: biuro@trautomatyka.pl

9675, A9675 Pressure Switch

With Barksdale - Pressure's No Problem

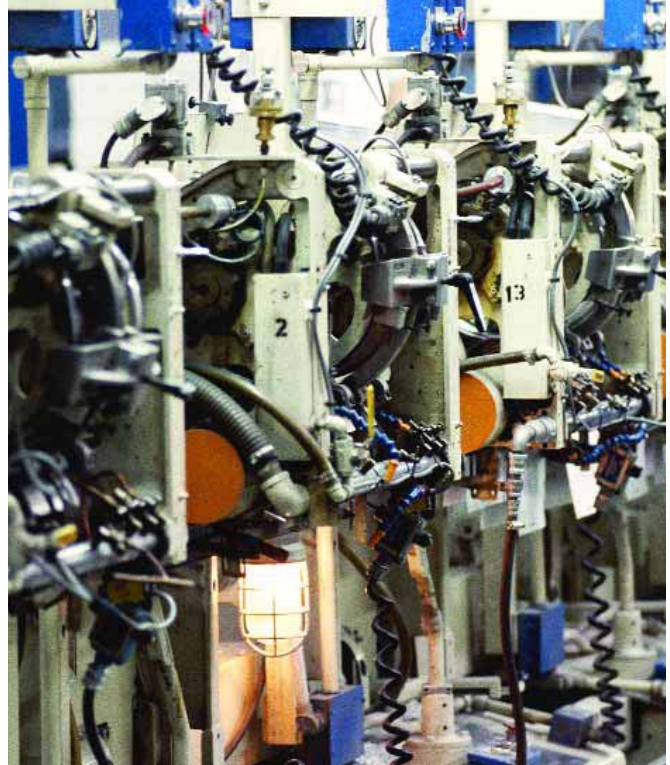
As a recognized leader in the manufacture of pressure product solutions, Barksdale pressure switches meet the demanding needs of our customers. From 29" Hg to 18,000 psi, Barksdale has pressure switches for a variety of applications - from transformers to natural gas compressors to beverage dispensers - and more!

Barksdale's Series 9675 & A9675 Sealed Piston Pressure Switches provide an economical solution for your pressure sensing needs. Sealed piston switches accurately control pressures from 20 to 6,000 psi positive pressure, and can be factory pre-set upon request. Setpoint adjustment is easily accomplished by turning the adjustment screws, which are protected by a tamper-resistant cover on housed models. A variety of available factory options allows the sealed piston switches to be configured to the exact needs of your application.

Sealed Piston Pressure Switch Applications

With its rugged design and high repeatability, **Barksdale's Series 9675 & A9675 Sealed Piston Pressure Switches** provide an accurate and reliable solution for pressures up to 6,000 psi, making them ideal for use in:

- Machine Tools
- Hydraulic Presses
- Compressors
- Hydraulic Power Units
- Compressors



Need Something Special?

If you have special product requirements, we can help. Barksdale specializes in custom design solutions to meet your needs. Our reputation is built on creating custom products for customers committed to getting exactly what they need. We have design engineers and technical specialists who are experts in solving your unique pressure problems. Our technology and resources are at your disposal.

9675, A9675 Pressure Switch

Electrical Characteristics All models incorporate Underwriters Laboratories, Inc. and CSA Listed single pole, double throw snap-action switching elements.

Performance Characteristics
Accuracy ± 2% of the adjustable range
Switch Type SPDT or DMDB Snap Action; single circuit

Rating
9675 10 Amps @ 125, 250, or 480 VAC; 7.5 Amps @ 600 VAC; 0.5 Amps at 250 VDC
A9675 15 Amps @ 125, 250, or 480 VAC; 7.5 Amps @ 600 VAC; 0.5 Amps at 250 VDC

Physical
Shipping Weight 1.75 lbs. approximate
Wetted Parts
 Process Fitting 416 Stainless Steel
 O-ring Buna-N with Teflon® backup ring
 Piston 416 Stainless Steel
Enclosure Anodized Aluminum
Ratings NEMA 13
Pressure Connection 1/4" NPT Female
Electrical Connection Through 1/2" NPT conduit connection to screw terminals

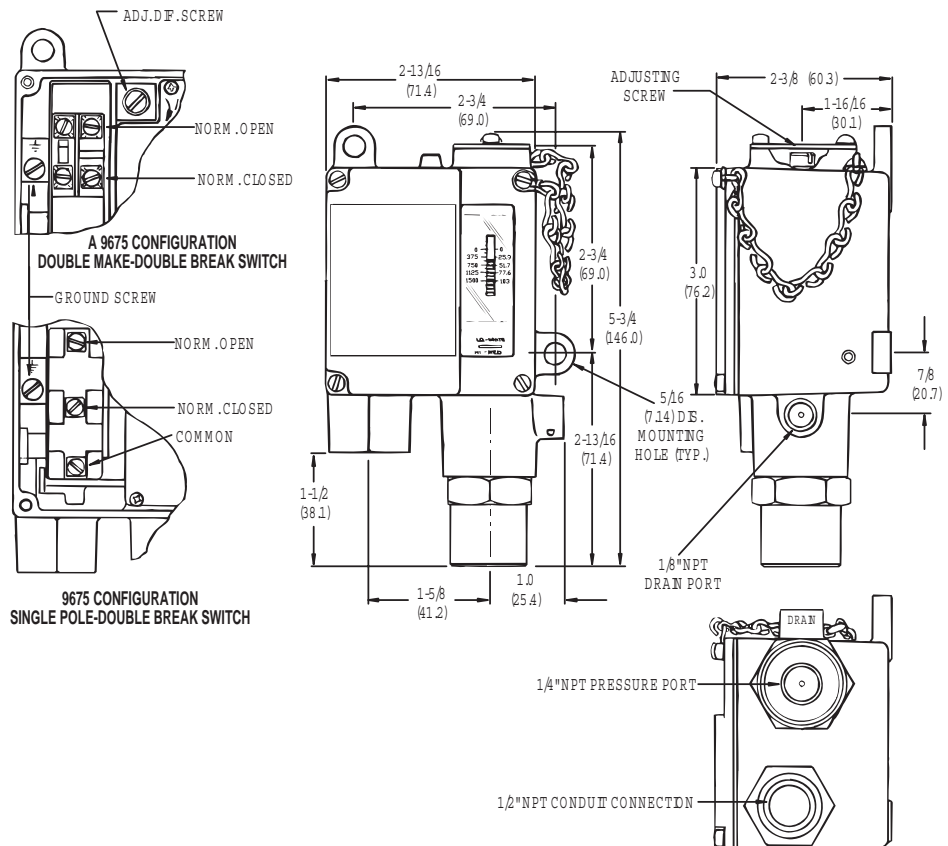
Approvals
PED (European) Compliant to PED 97/23/EC

Environmental
Temperature Range
Operating -20° to +165°F (-29° to +74°C)
Storage -40° to +200°F (-40° to +93°C)

Adjustment Instructions
Setpoint Loosen adjustment screw cover and open. Using a 5/16" allen wrench, turn adjustment screw clockwise to increase setpoint, counterclockwise to decrease setpoint. The setpoint indicator (located inside enclosure) provides a visual indication of the approximate setpoint.

Wiring Code Normally Open (NO), Normally Closed (NC), and Common (C) terminals are identified on the limit switches

Consult Factory for These Options
 Factory Pre-set
 Cleaned for oxygen service
 Adjustable deadband
 Drain port, 1/8" NPT



9675, A9675 Pressure Switch

Sealed Piston, Double Make, Double Break

Series 9675, A9675

Model 9675

Base Model 9675 Base part number

	Adjustable Range				Approx. Deadband (Actuation Value)	Proof Pressure	
	Decreasing - psi (bar)		Increasing - psi (bar)				
	Min	Max	Min	Max	psi-(bar)	psi (bar)	
Pressure Range	-0	20 (1.4)	180 (12.2)	25 (1.7)	200 (13.6)	5 - 20 (.3 - 1.4)	3000 (204)
	-1	75 (5.1)	505 (34.3)	85 (5.8)	540 (36.7)	10 - 35 (.7 - 2.4)	3000 (204)
	-2	100 (6.8)	1400 (95.2)	130 (8.8)	1500 (102)	30 - 100 (2.0 - 6.8)	7000 (476)
	-3	235 (16.0)	3200 (218)	295 (20.0)	3400 (231)	60 - 200 (4.1 - 13.6)	7000 (476)
	-4	425 (28.9)	5640 (384)	545 (37.0)	6000 (408)	120 - 360 (8.2 - 24.4)	12000 (816)

- Options
- E EPR O-ring
 - N Neoprene O-ring
 - V Viton® O-ring
 - Z1 Cleaned for oxygen service
 - D Drain port, 1/8" NPT

9675 -2 -D

Example: 9675-2-D

Model A9675

Base Model A9675 Base part number (with Double-Make, Double Break limit switch)

	Adjustable Range				Approx. Deadband (Actuation Value)	Proof Pressure	
	Decreasing - psi (bar)		Increasing - psi (bar)				
	Min	Max	Min	Max	psi-(bar)	psi (bar)	
Pressure Range	-0	20 (1.4)	170 (11.6)	30 (2)	200 (13.6)	10 - 30 (.7 - 2.0)	3000 (204)
	-1	75 (5.1)	495 (33.7)	95 (6.5)	540 (36.7)	20 - 45 (1.4 - 3.1)	3000 (204)
	-2	100 (6.8)	1370 (93)	140 (9.5)	1500 (102)	40 - 130 (2.7 - 8.8)	7000 (476)
	-3	235 (16.0)	3075 (209)	365 (24.8)	3400 (231)	130 - 325 (8.8 - 22.1)	7000 (476)
	-4	425 (28.9)	5500 (374)	600 (40.8)	6000 (408)	175 - 500 (11.9 - 34.0)	12000 (816)

- Options
- AA Adjustable deadband (consult sales drawing for adjustable range)
 - E EPR O-ring
 - N Neoprene O-ring
 - V Viton® O-ring
 - Z1 Cleaned for oxygen service
 - D Drain port, 1/8" NPT

A9675 -3 -AA

Example: A9675-3-AA

Miscellaneous:	
Paper Tag	\$5.00
Metal Tag:	\$10.00



TR Automatyka Sp. z o.o.
 ul. Lechicka 14
 02-156 Warszawa
 tel. +48 (22) 886 10 16, fax. +48 (22) 846 50 37
 NIP: 522-27-58-993
<http://www.trautomatyka.pl>
 e-mail: biuro@trautomatyka.pl