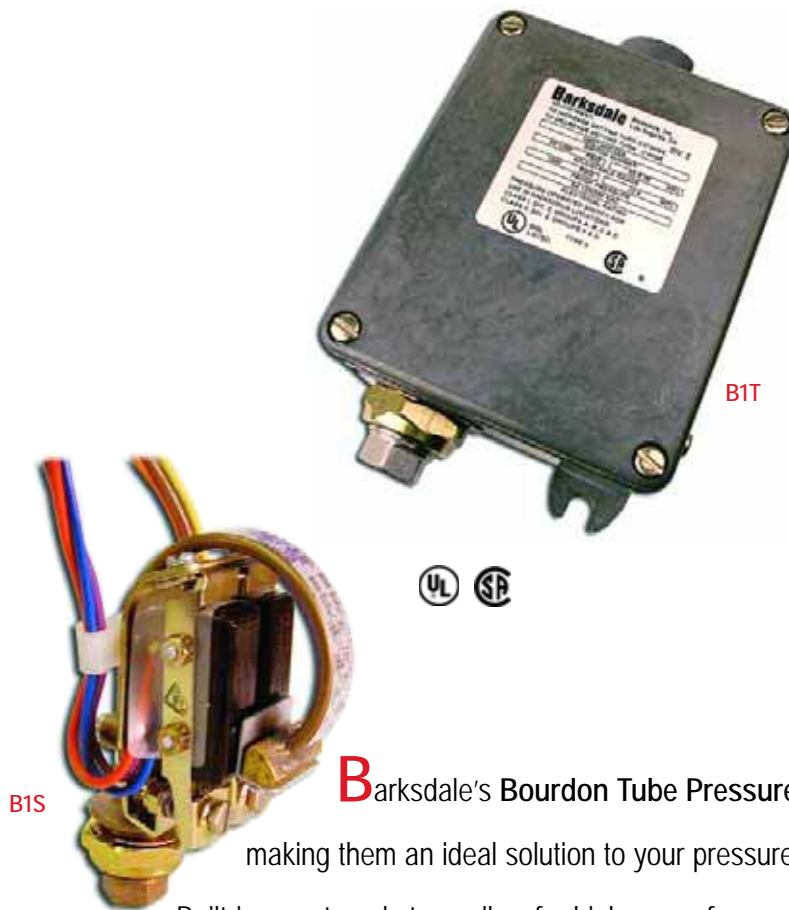


# B1S, B2S, B1T, B2T Pressure Switch

Stripped and Housed Bourdon Tube

B1S, B2S, B1T, B2T Series



- ❖ High Accuracy
- ❖ Tamper-proof External Adjustment
- ❖ Stripped and Housed Versions Available
- ❖ High Proof Pressure
- ❖ Dual Switching Capability

**B**arksdale's Bourdon Tube Pressure Switches offer instrument class accuracy, making them an ideal solution to your pressure control needs when accuracy is critical.

Built-in over-travel stops allow for higher proof pressures than most other pressure switch technologies. Setpoints are easily adjusted via an internal adjustment screw. Available in single and dual configurations, Bourdon Tube Pressure Switches are adaptable for use in a wide range of industrial applications. A variety of limit switches is available to allow for a multitude of electrical switching conditions. For applications requiring a highly accurate switch in a highly durable package, Bourdon Tube Pressure Switches are the ideal solution.



TR Automatyka Sp. z o.o.

ul. Lechicka 14  
02-156 Warszawa  
tel. +48 (22) 886 10 16, fax. +48 (22) 846 50 37  
NIP: 522-27-58-993  
<http://www.trautomatyka.pl>  
e-mail: [biuro@trautomatyka.pl](mailto:biuro@trautomatyka.pl)

# B1S, B2S, B1T, B2T Pressure Switch

## With Barksdale - Pressure's No Problem

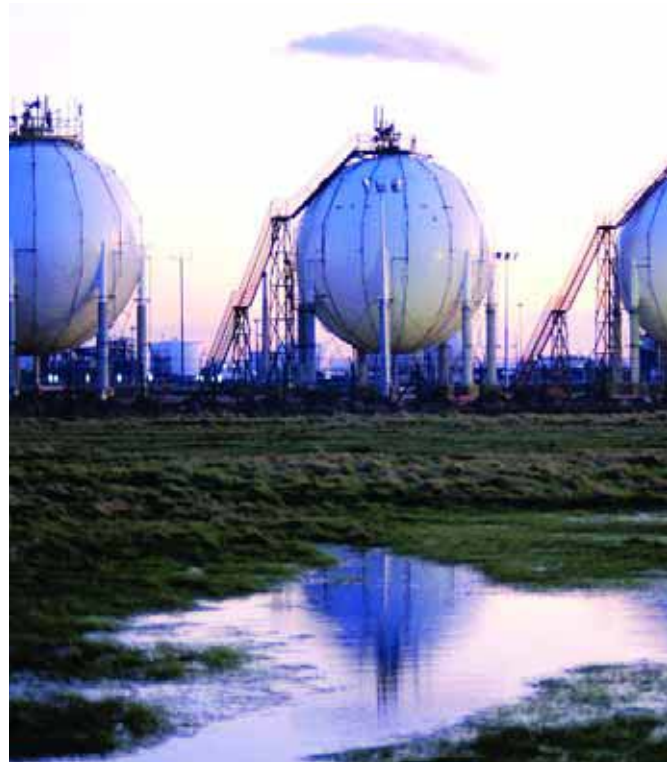
**A**s a recognized leader in the manufacture of pressure product solutions, we meet the demanding requirements of our customers. From 29" Hg to 18,000 psi, Barksdale has pressure switches for a variety of applications - from transformers to natural gas compressors to beverage dispensers - and more!

**Barksdale's Bourdon Tube Pressure Switches** provide an ideal solution for your switching needs in applications requiring high accuracy in a highly durable package. Housed in a rugged, die-cast aluminum enclosure, **Bourdon Tube Pressure Switches** can monitor, control, and switch pressures from 50 to 18,000 psi. Setpoint adjustment is easily accomplished via an integrated internal adjustment screw - no special tools are required - and a tamper resistant cover prevents inadvertent setpoint changes. The **Bourdon Tube Series** is economically priced, and offers time proven technology for the ultimate in accuracy and reliability.

### Bourdon Tube Switch Applications

With its instrument class accuracy and highly reliable design, **Bourdon Tube Pressure Switches** provide an outstanding switching solution for pressures up to 18,000 psi, making them ideal for use in:

- Power Plants
- Water Pumps
- Hydraulic Power Units
- Pneumatic Devices
- General Industrial Applications



### Need something Special?

If you have special product requirements, we can help. Barksdale specializes in custom design solutions to meet your needs. Our reputation is built on creating custom products for customers committed to getting exactly what they need. We have design engineers and technical specialists who are experts in solving your unique pressure problems. Our technology and resources are at your disposal.

# B1S, B2S, B1T, B2T Pressure Switch

**Electrical Characteristics**  
 All models incorporate Underwriters Laboratories, Inc. and CSA Listed single pole double throw snap-action switching elements.

**Performance Characteristics**  
**Accuracy** ± 0.5% of the adjustable range  
**Switch Type** SPDT Snap Action; single or dual circuit  
**Rating** 10 Amp @ 125/250 VAC  
 3 Amp @ 480 VAC  
 0.5 Amp @ 24 VDC

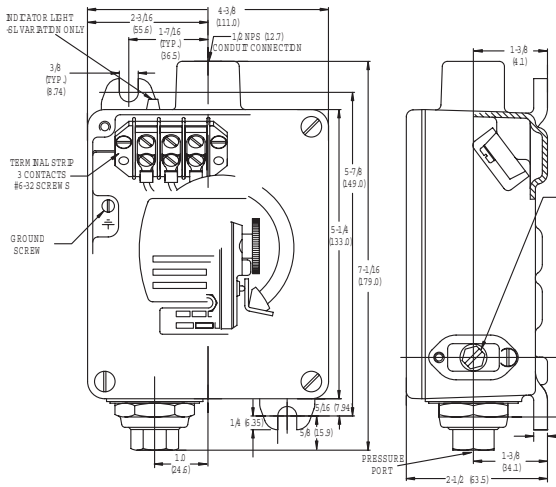
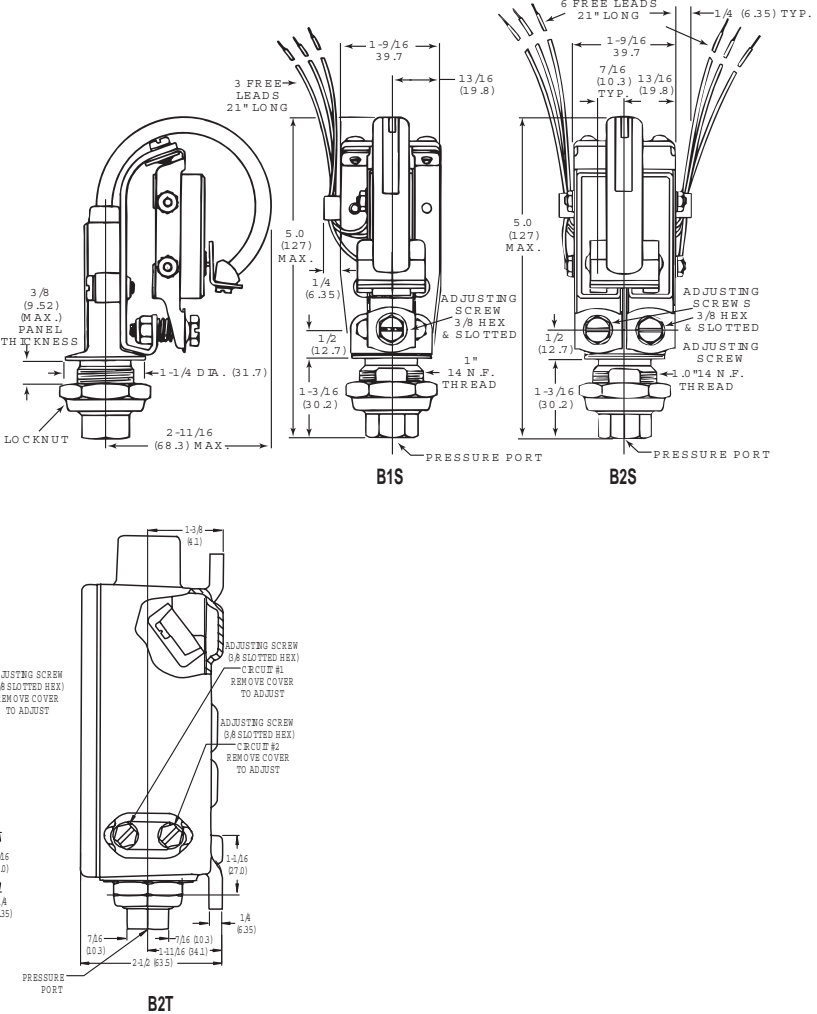
**Physical**  
**Shipping Weight**  
 Stripped Model 1.5 lbs. approximate  
 Housed Model 2.5 lbs. approximate  
**Wetted Parts**  
 Process Fitting & Bourdon Tube 316 Series Stainless Steel  
 Enclosure Anodized Aluminum  
**Ratings**  
 Stripped Model NEMA 4  
 Housed Model NEMA 1  
**Pressure Connection**  
 Housed models with proof pressure up to 7,200 psi and stripped models with proof pressure up to 6,000 psi; 1/4" NPT Female; All higher pressure ranges: Superpressure Fitting for 1/4" NPT tube.

**Electrical Connection**  
 Stripped 21" Free Leads  
 Housed Internal terminal strip via conduit connection

**Approvals**  
**UL** Available upon request (consult factory)  
**CSA** Available upon request (consult factory)  
**Environmental**  
**Temperature Range**  
 Operating -20° to +165°F (-29° to +74 °C)  
 Storage -40° to +200°F (-40° to +93 °C)  
**Adjustment Instructions** Turn adjustment screw clockwise to lower setpoint, counterclockwise to raise setpoint

Wiring Code		
Lead	Circuit 1	Circuit 2
Normally Closed	Blue	Orange
Common	Purple	Brown
Normally Open	Red	Yellow

**Consult Factory for These Options**  
 NEMA 4X  
 Temperature stabilization and pre-cycle  
 Cleaned for Oxygen Service  
 Indicator light (UL and CSA approval not available on this option)



# B1S, B2S, B1T, B2T Pressure Switch

## Stripped and Housed Bourdon Tube

### B1S, B2S, B1T, B2T Series

Series	<b>H</b> Hermetically Sealed Limit Switch (see Note 1)																																																																	
Limit Switch	<b>B1S</b> Single Setpoint Stripped																																																																	
	<b>B2S</b> Dual Setpoint Stripped																																																																	
	<b>B1T</b> Single Setpoint Housed																																																																	
	<b>B2T</b> Dual Setpoint Housed																																																																	
Limit Switch	<b>-A</b> 10 Amps @ 125/250 VAC; 3 Amps @ 480 VAC; 0.5 Amps @ 24 VDC <b>Standard for 12, 48, 65, 120, and 180 pressure ranges</b>																																																																	
	<b>-H</b> 10 Amps @ 125/250 VAC; 3 Amps @ 480 VAC <b>Standard for 32 pressure range</b>																																																																	
	<b>-B</b> 10 Amps @ 125/250/480 VAC; 3 Amps @ 600 VAC; 5 Amps @ 24 VDC (consult sales drawing for deadband values)																																																																	
	<b>-C</b> 10 Amps @ 125/250/480 VAC; 3 Amps @ 600 VAC; 10 Amps @ 24 VDC (consult sales drawing for deadband values)																																																																	
	<b>-E</b> 15 Amps @ 125/250/480 VAC; 2 Amps @ 600 VAC; 5 Amps @ 24 VDC (consult sales drawing for deadband values)																																																																	
	<b>-J</b> 10 Amps @ 125/250 VAC; 3 Amps @ 480 VAC; 0.5 Amps @ 24 VDC (consult sales drawing for deadband values)																																																																	
	<b>-M</b> 10 Amps @ 125/250 VAC; 3 Amps @ 480 VAC; 1 Amp @ 24 VDC (consult sales drawing for deadband values)																																																																	
	<b>-S</b> 15 Amps @ 125/250/480 VAC; 5 Amps @ 24 VDC; 0.05 Amps @ 125 VDC; .03 Amps @ 250 VDC (consult sales drawing for deadband values)																																																																	
	<b>-GH</b> 1 Amp @ 125 VAC; 1 Amp @ 24 VDC Gold Contact (consult sales drawing for deadband values)																																																																	
	<b>-AA</b> Hermetically sealed; 4 Amps @ 125/250 VAC (consult sales drawing for deadband values)																																																																	
	<b>-CC</b> Hermetically sealed; 10 Amps @ 125/250 VAC (consult sales drawing for deadband values)																																																																	
	<b>-HH</b> Hermetically sealed; 5 Amps @ 125/250 VAC (consult sales drawing for deadband values)																																																																	
	Pressure Range	<table border="1"> <thead> <tr> <th rowspan="3"></th> <th colspan="4">Adjustable Range</th> <th rowspan="3">Approx. Deadband (Actuation Value) psi (bar)</th> <th rowspan="3">Proof (B1S, B2S) psi (bar)</th> <th rowspan="3">Proof (B1T, B2T) psi (bar)</th> </tr> <tr> <th colspan="2">Decreasing - psi (bar)</th> <th colspan="2">Increasing - psi (bar)</th> </tr> <tr> <th>Min</th> <th>Max</th> <th>Min</th> <th>Max</th> </tr> </thead> <tbody> <tr> <td>12</td> <td>50 (3.4)</td> <td>1180 (80.3)</td> <td>70 (4.8)</td> <td>1200 (81.6)</td> <td>11 - 27 (0.7 - 1.8)</td> <td>1800 (122)</td> <td>1800 (122)</td> </tr> <tr> <td>32</td> <td>160 (11)</td> <td>3161 (211)</td> <td>199 (13.5)</td> <td>3200 (213)</td> <td>16 - 39 (1.1 - 2.7)</td> <td>4800 (327)</td> <td>4800 (327)</td> </tr> <tr> <td>48</td> <td>240 (16)</td> <td>4715 (321)</td> <td>325 (21.7)</td> <td>4800 (327)</td> <td>40 - 85 (2.7 - 5.8)</td> <td>7200 (490)</td> <td>7200 (490)</td> </tr> <tr> <td>65</td> <td>325 (22)</td> <td>6385 (434)</td> <td>440 (29.9)</td> <td>6500 (442)</td> <td>54 - 115 (3.7 - 7.8)</td> <td>9750 (663)</td> <td>9750 (663)</td> </tr> <tr> <td>120</td> <td>600 (41)</td> <td>11450 (779)</td> <td>1150 (78)</td> <td>12000 (816)</td> <td>275 - 550 (18.7 - 37.4)</td> <td>18000 (1224)</td> <td>18000 (1224)</td> </tr> <tr> <td>180</td> <td>600 (41)</td> <td>17450 (1187)</td> <td>1150 (78)</td> <td>18000 (1224)</td> <td>275 - 550 (18.7 - 37.4)</td> <td>24000 (1632)</td> <td>24000 (1632)</td> </tr> </tbody> </table>		Adjustable Range				Approx. Deadband (Actuation Value) psi (bar)	Proof (B1S, B2S) psi (bar)	Proof (B1T, B2T) psi (bar)	Decreasing - psi (bar)		Increasing - psi (bar)		Min	Max	Min	Max	12	50 (3.4)	1180 (80.3)	70 (4.8)	1200 (81.6)	11 - 27 (0.7 - 1.8)	1800 (122)	1800 (122)	32	160 (11)	3161 (211)	199 (13.5)	3200 (213)	16 - 39 (1.1 - 2.7)	4800 (327)	4800 (327)	48	240 (16)	4715 (321)	325 (21.7)	4800 (327)	40 - 85 (2.7 - 5.8)	7200 (490)	7200 (490)	65	325 (22)	6385 (434)	440 (29.9)	6500 (442)	54 - 115 (3.7 - 7.8)	9750 (663)	9750 (663)	120	600 (41)	11450 (779)	1150 (78)	12000 (816)	275 - 550 (18.7 - 37.4)	18000 (1224)	18000 (1224)	180	600 (41)	17450 (1187)	1150 (78)	18000 (1224)	275 - 550 (18.7 - 37.4)	24000 (1632)	24000 (1632)
				Adjustable Range							Approx. Deadband (Actuation Value) psi (bar)	Proof (B1S, B2S) psi (bar)	Proof (B1T, B2T) psi (bar)																																																					
Decreasing - psi (bar)				Increasing - psi (bar)																																																														
Min			Max	Min	Max																																																													
12		50 (3.4)	1180 (80.3)	70 (4.8)	1200 (81.6)	11 - 27 (0.7 - 1.8)	1800 (122)	1800 (122)																																																										
32		160 (11)	3161 (211)	199 (13.5)	3200 (213)	16 - 39 (1.1 - 2.7)	4800 (327)	4800 (327)																																																										
48	240 (16)	4715 (321)	325 (21.7)	4800 (327)	40 - 85 (2.7 - 5.8)	7200 (490)	7200 (490)																																																											
65	325 (22)	6385 (434)	440 (29.9)	6500 (442)	54 - 115 (3.7 - 7.8)	9750 (663)	9750 (663)																																																											
120	600 (41)	11450 (779)	1150 (78)	12000 (816)	275 - 550 (18.7 - 37.4)	18000 (1224)	18000 (1224)																																																											
180	600 (41)	17450 (1187)	1150 (78)	18000 (1224)	275 - 550 (18.7 - 37.4)	24000 (1632)	24000 (1632)																																																											
Options	SS Stainless steel bourdon tube																																																																	
	-P4 1/4" NPT Female (available on 65, 120, and 180 ranges only)																																																																	
	-P5 7/16-20 SAE female pressure fitting																																																																	
	-FX NEMA 4X enclosure																																																																	
	-SL Indicator light option																																																																	
	-WXXX Extra wire length																																																																	
	-CS CSA Approval																																																																	
	-TC Temperature stabilization and pre-cycle																																																																	
-Z1 Cleaned for oxygen service																																																																		
-SXXX Factory pre-set (consult factory)																																																																		
<table border="1"> <tr> <td>B1T</td> <td>-A</td> <td>80</td> <td>SS</td> <td></td> </tr> </table>		B1T	-A	80	SS																																																													
B1T	-A	80	SS																																																															

Example: B1T-A80SS

**Miscellaneous:**  
Paper Tag \$5.00  
Metal Tag: \$10.00

**NOTE:**

1. Hermetically sealed option requires Class AA, HH, CC, or GH limit switch.  
Consult sales drawing for adjustable ranges, deadband, and electrical ratings.



**TR Automatyka Sp. z o.o.**

ul. Lechicka 14  
02-156 Warszawa  
tel. +48 (22) 886 10 16, fax. +48 (22) 846 50 37  
NIP: 522-27-58-993  
http://www.trautomatyka.pl  
e-mail: biuro@trautomatyka.pl