

B1X, B2X Pressure Switch

Explosion Proof Bourdon Tube

B1X, B2X Series

- ✦ Hermetically Sealed
- ✦ Explosion-Proof Housing
- ✦ Tamper-Proof Setpoint Adjustment
- ✦ Ideal for Pressure
- ✦ UL, CSA, ATEX Approved
- ✦ NEMA 4, 7, 9 & IP65



Barksdale's B1X and B2X Explosion Proof

Bourdon Tube Pressure Switches offer instrument class accuracy, making them an ideal solution to your hazardous location pressure control needs when accuracy is critical. Built in over travel stops allow for higher proof pressures than most other pressure switch technologies. Setpoints are easily adjusted via an internal adjustment screw. Available in single and dual circuit configurations, **Bourdon Tube Pressure Switches** are adaptable for use in a wide range of industrial applications. A variety of limit switches is available to allow for a multitude of electrical switching conditions. For applications requiring a highly accurate switch in a highly durable package, **Barksdale Bourdon Tube Pressure Switches** are the ideal solution.



TR Automatyka Sp. z o.o.

ul. Lechicka 14
02-156 Warszawa
tel. +48 (22) 886 10 16, fax. +48 (22) 846 50 37
NIP: 522-27-58-993
<http://www.trautomatyka.pl>
e-mail: biuro@trautomatyka.pl

B1X/B2X Pressure Switch

With Barksdale - Pressure's No Problem

As a recognized leader in the manufacture of pressure product solutions, we meet the demanding requirements of our customers. From vacuum to 18,000 psi, Barksdale has pressure switches for a variety of applications — from transformers to natural gas compressors to beverage dispensers — and more!

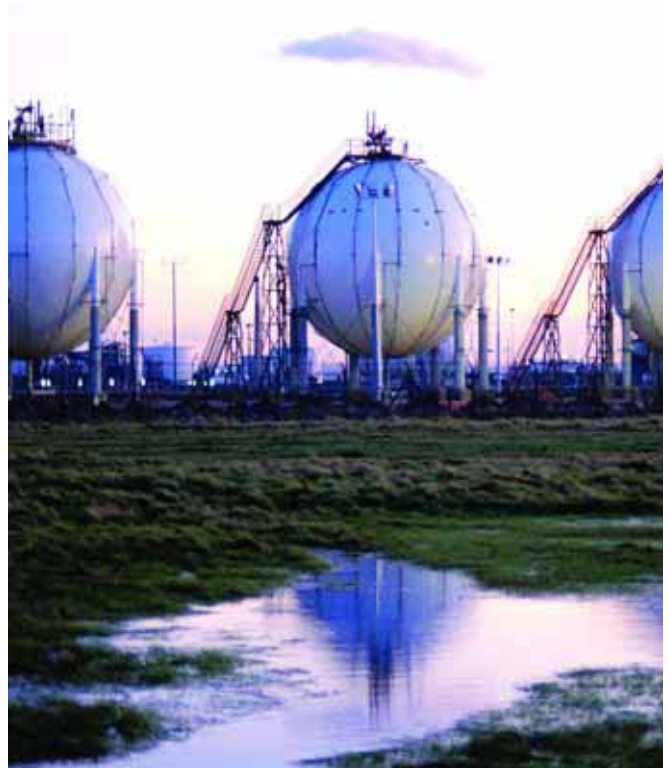
Barksdale's Explosion Proof Bourdon Tube

Pressure Switches provide an ideal solution for your hazardous location switching needs in applications requiring high accuracy in a highly durable package. Housed in a rugged aluminum enclosure, **Bourdon Tube Pressure Switches** can monitor, control, and switch pressures from 50 to 7,200 psi. Setpoint adjustment is easily accomplished via an integrated internal adjustment screw — no special tools are required — and a tamper resistant cover prevents inadvertent setpoint changes. The **Bourdon Tube Series** is economically priced, and offers time proven technology for the ultimate in accuracy and reliability.

Bourdon Tube Switch Applications

With its instrument class accuracy and highly reliable design, **Barksdale Explosion Proof Bourdon Tube Pressure Switches** provide an outstanding switching solution for pressures up to 7,200 psi, making them ideal for use in:

- Power Plants
- Water Pumps
- Blow Out Preventer (BOP)
- Pneumatic Devices
- General Industrial Applications



Need Something Special?

If you have special product requirements, we can help. Barksdale specializes in custom design solutions to meet your needs. Our reputation is built on creating custom products for customers committed to getting exactly what they need. We have design engineers and technical specialists who are experts in solving your unique pressure problems. Our technology and resources are at your disposal.

B1X/B2X Pressure Switch

Electrical Characteristics

All models incorporate Underwriters Laboratories, Inc. and CSA Listed single pole double throw snap-action switching elements.

Wiring Code		
Lead	Circuit 1	Circuit 2
Normally Closed	Blue	Orange
Normally Open	Red	Yellow
Common	Purple	Brown

Performance Characteristics

Accuracy ± 0.5% of the adjustable range
Switch Type SPDT Snap Action; single or dual circuit
Rating 10 Amps @ 125/250 VAC
 3 Amps @ 480 VAC (standard)
Adjustment Internal Adjustment Screw

Physical

Shipping Weight 8.5 lbs. approximate

Wetted Parts

Process Fitting & Bourdon Tube 316 Series Stainless Steel

Enclosure

Die-cast Aluminum

Ratings

NEMA 4, 7, 9

Pressure Connection

Models with proof pressures up to 7,200 psi: 1/4" NPT Female; Models with higher pressure ranges: Superpressure Fitting for 1/4" O.D. tube

Electrical Connection

Internal terminal strip via conduit connection (1/2" NPT on B1X models, 3/4" NPT on B2X models)

Adjustment Instructions

Turn adjustment screw clockwise to lower actuation point

Approvals

UL/CSA

(standard)

UL File No.#E37043;
 CSA File No. #LR22354
 Hazardous Locations, Class I: Division I, Groups B, C, & D; Class II Groups E, F, & G
 Ex models are ATEX certified per ISSeP 03 ATEX 122XC & marked as follows:
 CE 0081 II2 GD EEX d IIC T6, T85°C

ATEX (optional)

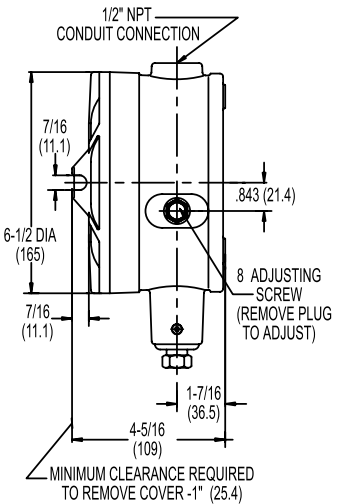
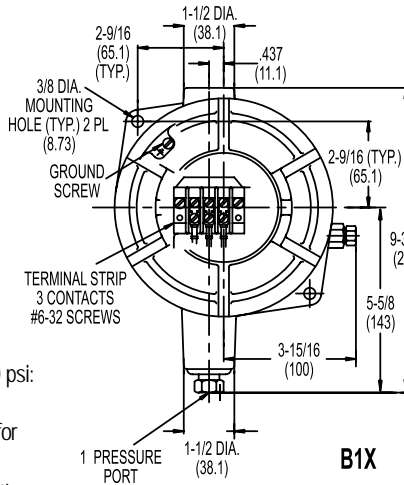
Environmental

Temperature Range

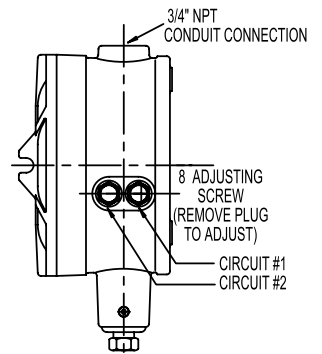
Operating -65° to +165°F (-29° to +74°C)

Consult Factory for These Options

- Gold Contact Limit Switch; 1 A @ 125 VAC
- 1/2" NPT female process connection
- Cleaned for Oxygen service – consult factory for details
- NEMA 4X enclosure – polyurethane paint and stainless steel external screws
- Adjustable deadband
- Temperature compensation and pre-cycle
- Hermetically sealed limit switch



B1X



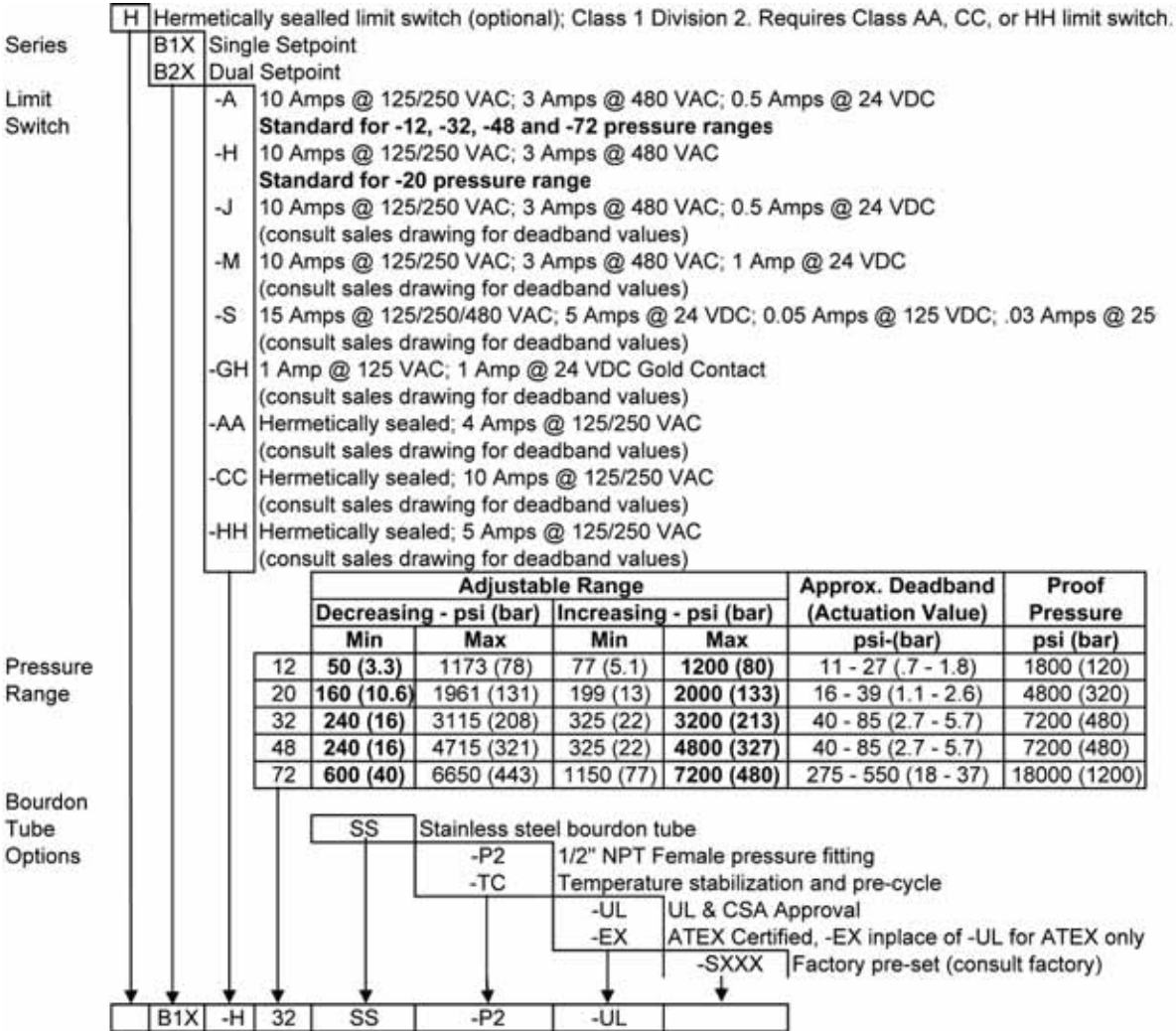
B2X

NOTE: ALL OTHER DIMENSIONS FOR B2X ARE THE SAME AS B1X.

B1X, B2X Pressure Switch

Explosion Proof Bourdon Tube

B1X, B2X Series



Example: B1X-H32SS-P2-UL UL & CSA Approved

Example: B1X-H32SS-P2-EX ATEX Certified



TR Automatyka Sp. z o.o.

ul. Lechicka 14
 02-156 Warszawa
 tel. +48 (22) 886 10 16, fax. +48 (22) 846 50 37
 NIP: 522-27-58-993
<http://www.trautomatyka.pl>
 e-mail: biuro@trautomatyka.pl