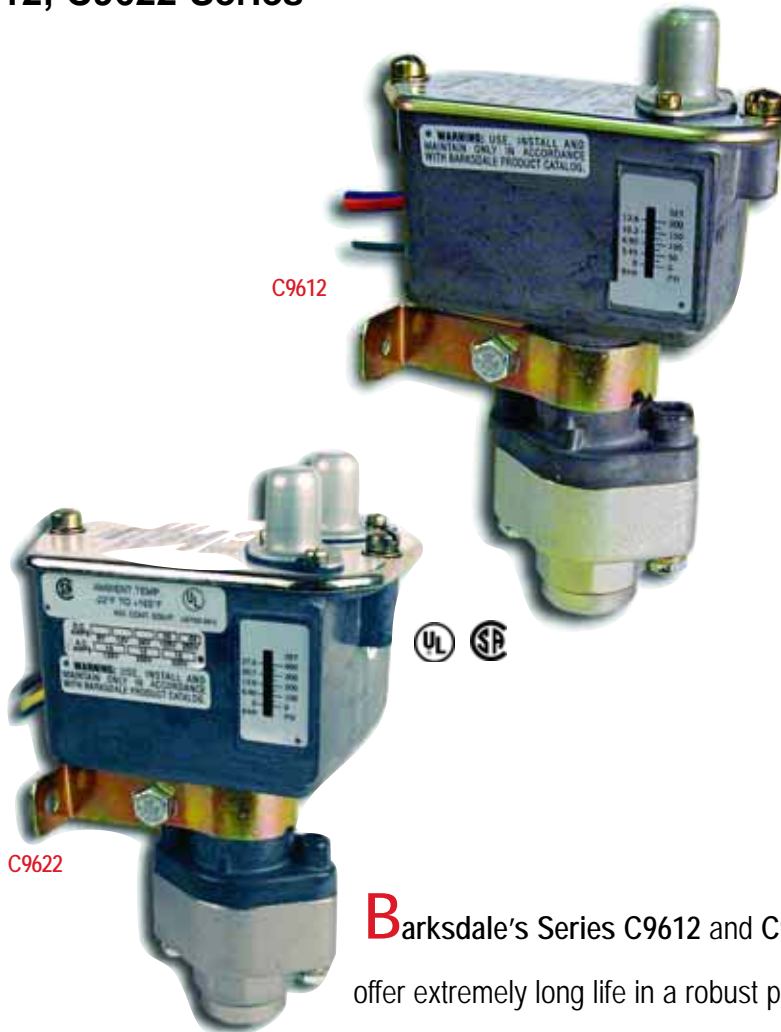


# C9612, C9622 Pressure Switch

## Sealed Piston

### C9612, C9622 Series



- ✦ Extremely Long Life
- ✦ Oil & Dust Tight
- ✦ Easy Setpoint Adjustment
- ✦ High Reliability
- ✦ High Proof Pressure
- ✦ Single & Dual Setpoint

**B**arksdale's Series C9612 and C9622 Sealed Piston Pressure Switches

offer extremely long life in a robust package, making them the ideal solution to your industrial pressure control needs. Sealed piston switches are ideal for applications demanding rapid cycling. Available in various pressure ranges from 15 to 3,000 psi, sealed piston switches are suitable for use in industrial applications such as hydraulic presses, compactors, and machine tools. All models feature a durable, anodized aluminum enclosure with a tamper proof adjustment screw cover and an integrated 27/32" hole for 1/2" NPT conduit connector, and are rated to NEMA 3 as a standard. Optional terminal boxes allow for ease of electrical connection, and switches are available in both single and dual circuit configurations. For applications requiring a highly accurate switch in a durable package, Barksdale's Series C9612 and C9622 Piston Pressure Switches are the ideal choice.



TR Automatyka Sp. z o.o.

ul. Lechicka 14  
 02-156 Warszawa  
 tel. +48 (22) 886 10 16, fax. +48 (22) 846 50 37  
 NIP: 522-27-58-993  
<http://www.trautomatyka.pl>  
 e-mail: biuro@trautomatyka.pl

# C9612, C9622 Pressure Switch

## With Barksdale - Pressure's No Problem

**A**s a recognized leader in the manufacture of pressure product solutions, Barksdale pressure switches meet the demanding needs of our customers. From 29" Hg to 18,000 psi, Barksdale has pressure switches for a variety of applications - from transformers to natural gas compressors to beverage dispensers - and more!

**Barksdale's Series C9612 and C9622 Sealed Piston Pressure Switches** provide an economical solution for your pressure sensing needs. Sealed piston switches accurately control pressures from 15 to 3,000 psi positive pressure, and can be factory pre-set upon request. Setpoint adjustment is easily accomplished by turning the adjustment screws, which are protected by a tamper-resistant cover on housed models. A variety of available factory options allows the sealed piston switches to be configured to the exact needs of your application.

### Sealed Piston Pressure Switch Applications

With its rugged design and high repeatability, **Barksdale's Series C9612 and C9622 Sealed Piston Pressure Switches** provide an accurate and reliable solution for pressures up to 3,000 psi, making them ideal for use in:

- Machine Tools
- Hydraulic Presses
- Compressors
- Hydraulic Power Units
- Compressors



### Need Something Special?

If you have special product requirements, we can help. Barksdale specializes in custom design solutions to meet your needs. Our reputation is built on creating custom products for customers committed to getting exactly what they need. We have design engineers and technical specialists who are experts in solving your unique pressure problems. Our technology and resources are at your disposal.

# C9612, C9622 Pressure Switch

**Electrical Characteristics** All models incorporate Underwriters Laboratories, Inc. and CSA Listed single pole double throw snap-action switching elements.

**Performance Characteristics**

**Accuracy** ± 2% of the adjustable range

**Switch Type** SPDT Snap Action

**Rating** Single or dual circuit

10 Amps @ 125, 250, or 480 VAC; 0.3 Amps @ 250 VDC, Class B Limit Switch

**Physical**

**Shipping Weight**

C9612 Models 2.5 lbs. approximate

C9622 Models 3.0 lbs. approximate

TC9622 Models 3.5 lbs. approximate

**Wetted Parts**

Process Fitting Nickel Plated Aluminum

O-ring Buna-N (Standard)

Piston 416 Stainless Steel

Enclosure Anodized Aluminum

Ratings NEMA 3

Pressure Connection 1/4" - 18 NPT Female

Electrical Connection 18" Free leads (terminal block on "T" model)

**Approvals**

CSA (optional) Class 3231 02, File No. 022355-0-000 (Must specify -CS option when ordering)

**Environmental**

**Temperature Range**

**Operating** -20° to +165°F (-29° to +74°C)

**Storage** -40° to +200°F (-40° to +93°C)

**Adjustment Instructions**

With screwdriver, turn adjustment screw counterclockwise to increase and clockwise to decrease the actuation point.

Wiring Code		
Lead	Circuit 1	Circuit 2
Normally Closed	Blue	Orange
Common	Purple	Brown
Normally Open	Red	Yellow

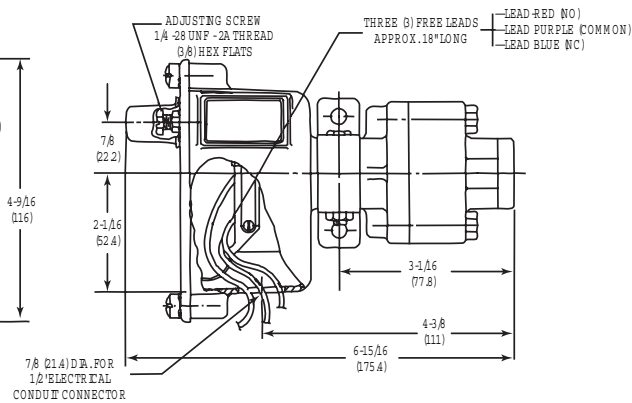
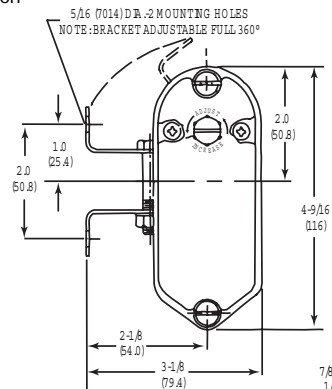
**Consult Factory for These Options**

CSA Approval (maximum rating of 300 VAC)

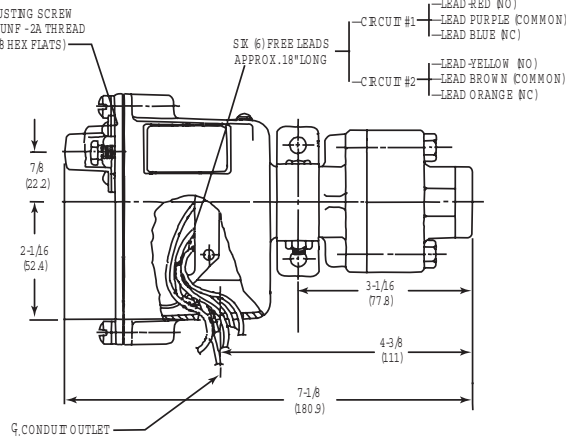
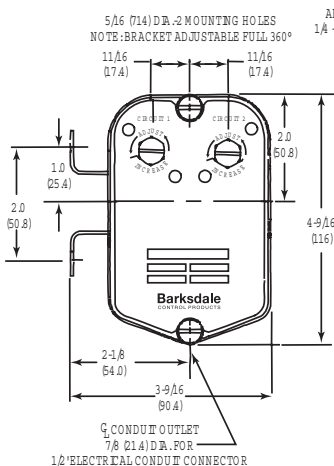
Factory Pre-set

Cleaned for oxygen service

Alternate O-ring materials



C9612



C9622

# C9612, C9622 Pressure Switch

**Sealed Piston**

**C9612, C9622 Series**

T JIC Junction Box with Terminal Strip (Optional)

Base Model C9612 Single Setpoint  
C9622 Dual Setpoint

Consult sales drawing for actual adjustable ranges, deadband, and alternate limit switches.

Pressure Range	Adjustable Range				Approx. Deadband (Actuation Value) psi (bar)	Proof Pressure psi (bar)
	Decreasing - psi (bar)		Increasing - psi (bar)			
	Min	Max	Min	Max		
-0	15 (1.0)	170 (11.6)	18 (1.2)	200 (13.6)	3 - 30 (0.2 - 2.0)	3000 (204.1)
-1	35 (2.4)	340 (23.1)	40 (2.7)	400 (27.2)	5 - 60 (0.3 - 4.1)	3000 (204.1)
-2	125 (8.5)	1360 (92.5)	135 (9.2)	1500 (102.0)	10 - 140 (0.7 - 9.5)	7000 (476.2)
-3	250 (17.0)	2650 (180.3)	280 (19.0)	3000 (204.1)	30 - 350 (2.0 - 23.8)	7000 (476.2)

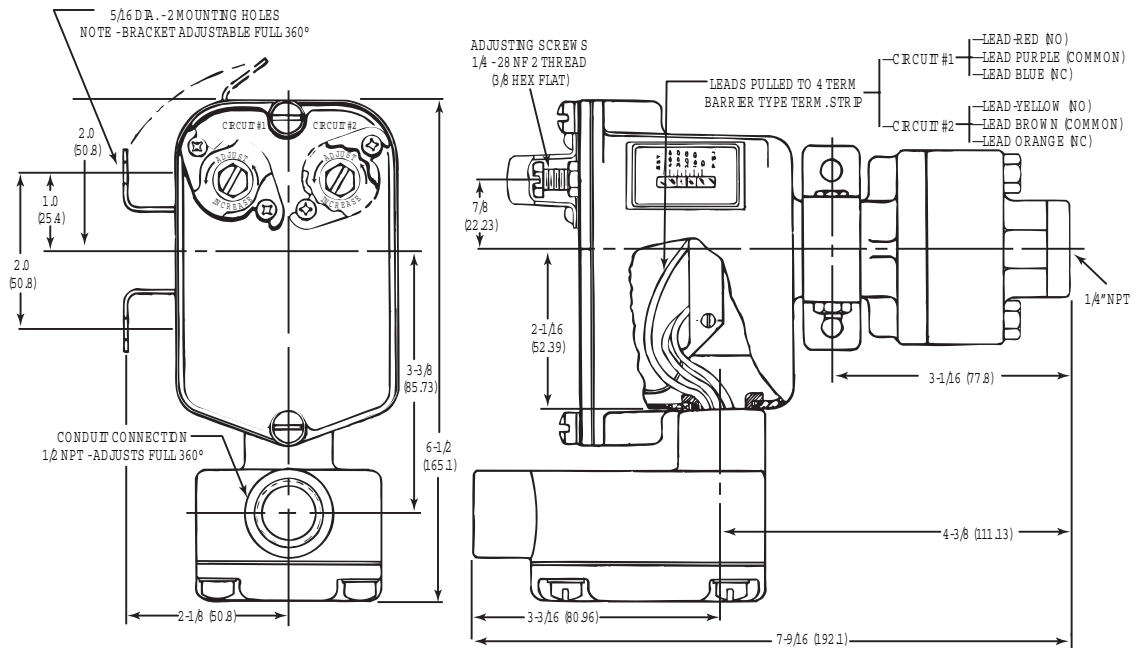
O-ring  
 (blank) Buna-N (Standard)  
 -E EPR  
 -N Neoprene  
 -V Viton®  
 -Z11 Buna N, 90 shore hardness  
 -Z13 Disorgin (9250-90)  
 -Z14 Disorgin (6865-70)

Options  
 -WXXX Special wire length in inches  
 -Z Less Mounting Bracket  
 -Z1 Cleaned for Oxygen Service  
 -CS CSA Approval

T C9612 -3 -V -Z1

Example: TC9612-3-V-Z1

**Miscellaneous:**  
 Paper Tag \$5.00  
 Metal Tag \$10.00



TC9622



TR Automatyka Sp. z o.o.

ul. Lechicka 14  
 02-156 Warszawa  
 tel. +48 (22) 886 10 16, fax. +48 (22) 846 50 37  
 NIP: 522-27-58-993  
 http://www.trautomatyka.pl  
 e-mail: biuro@trautomatyka.pl