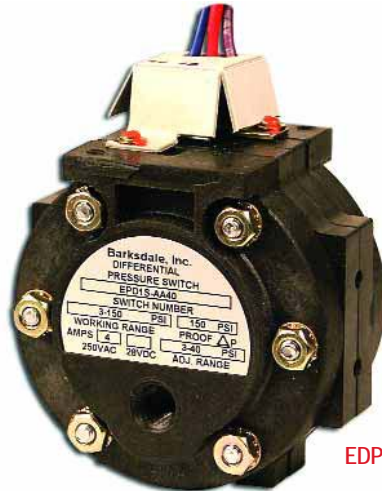


EPD1S, EPD1H Pressure Switch

Differential Pressure
EPD1S, EPD1H Series

- ❖ High Reliability
- ❖ High Accuracy
- ❖ Extremely Versatile
- ❖ Easy Setpoint Adjustment



EPD1S



EPD1H

Barksdale's EPD1S and EPD1H Single Setting Pressure Differential Switches provide an ideal solution when you need a high quality, differential pressure switch with high reliability and accuracy to meet your application requirements. These snap-action switches are available in stripped or housed versions and are easily adjustable via a set-point screw. Factory set models are also available. The housed version enclosure features a 3-contact terminal strip for easy electrical connection.



TR Automatyka Sp. z o.o.

ul. Lechicka 14
 02-156 Warszawa
 tel. +48 (22) 886 10 16, fax. +48 (22) 846 50 37
 NIP: 522-27-58-993
 http://www.trautomatyka.pl
 e-mail: biuro@trautomatyka.pl

EPD1S, EPD1H Pressure Switch

With Barksdale - Pressure's No Problem

As a recognized leader in the manufacture of pressure product solutions, Barksdale pressure switches meet the demanding needs of our customers. From 29" Hg to 18,000 psi, Barksdale has pressure switches for a variety of applications - from transformers to natural gas compressors to beverage dispensers - and more!

Barksdale's EPD1S and EPD1H Series Differential Pressure Switches provide an economical solution for your pressure sensing needs. Differential pressure switches accurately control pressure differences of 0.22 to 40 PSI and can be factory pre-set upon request. Setpoint adjustment is easily accomplished by turning the slotted adjustment screw. An optional NEMA 4 Junction Box (**EPD1H Series**) provides additional environmental protection as well as easy electrical conversion via a 3-contact terminal strip.

Differential Pressure Switch Applications

With its economical design and high repeatability, **Barksdale's EPD1S and EPD1H Series Differential Pressure Switches** provide an accurate and reliable solution for pressure differences up to 40 psi, making them ideal for use in:

- Filtration Systems
- Air Proving in HVAC Systems
- Pump & Compressor Monitoring
- Fluid Leak Detection



Need Something Special?

If you have special product requirements, we can help. Barksdale specializes in custom design solutions to meet your needs. Our reputation is built on creating custom products for customers committed to getting exactly what they need. We have design engineers and technical specialists who are experts in solving your unique pressure problems. Our technology and resources are at your disposal.

EPD1S, EPD1H Pressure Switch

General Description

Electrical Characteristics All models incorporate Underwriters Laboratories, Inc. and CSA Listed single pole double throw snap-action switching elements.

Performance Characteristics

Accuracy ± 5% of the adjustable range
Switch Type SPDT Snap Action
Rating 4 Amps @ 125/250 VAC (Class AA limit switch); 5 Amps @ 125/250 VAC (Class BB limit switch). Consult sales drawing for ratings of optional limit switches.

Adjustment Instructions

Pressure Differential Turn adjustment screw clockwise to increase pressure difference; counterclockwise to decrease pressure difference

Wiring Code	
Lead	Color
Nomally Closed	Blue
Common	Purple
Nomally Open	Red

Contact Factory for These Options

Factory pre-set

Physical

Shipping Weight
 EPD1S Models 1.0 lbs. approximate
 EPD1H Models 1.5 lbs. approximate

Wetted Parts
 Pressure Fitting Polysulfone, 40% glass filled
 Diaphragm Dacron reinforced neoprene
 Enclosure Polysulfone, 40% glass filled
 Ratings NEMA 4

Pressure Connection 1/8" NPT Female

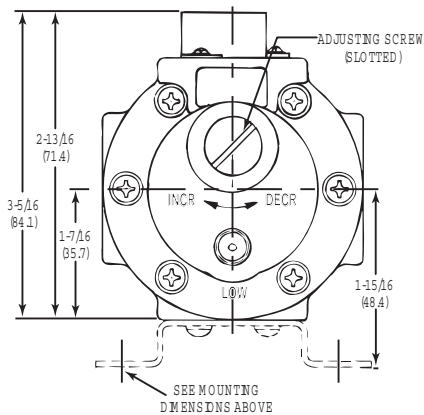
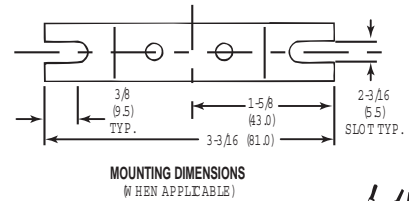
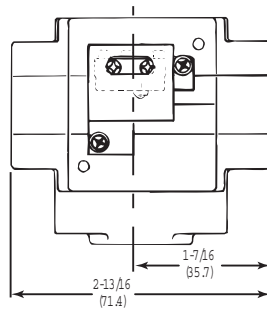
Electrical Connection
 EPD1S 12" free leads
 EPD1H 3-pin terminal block

Approvals

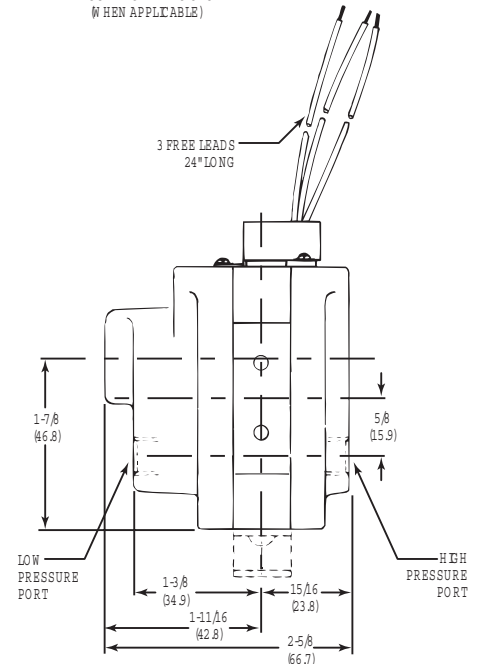
PED (European) Compliant to PED 97/23/EC

Environmental

Temperature Range
 Operating -65° to +165°F (-7° to +74°C)
 Storage -40° to +200°F (-40° to +93°C)



EPD1S



EPD1S, EPD1H Pressure Switch

Differential Pressure

EPD1S, EPD1H Series

Basic Configuration
 EPD1S Single Setpoint
 EPD1H Single Setpoint with J-Box

Limit Switch
 -AA 4 Amps @ 125/250 VAC
 -BB 5 Amps @ 125/250 VAC
 -CC 10 Amps @ 125/250 VAC
 (See Note Below)

	Adjustable Range				Approx. Deadband (Actuation Value) psi (bar)	Maximum Differential psi (bar)	Working Range psi (bar)
	Decreasing - psi (bar)		Increasing - psi (bar)				
	Min	Max	Min	Max			
3	.22 (.01)	2.71 (.2)	.51 (.03)	3 (.2)	.07 - .29 (0 - .02)	12 (.8)	.22 to 12 (.01 to .8)
40	3 (.2)	38.8 (2.6)	4.2 (.3)	40 (2.7)	.15 - 1.2 (.01 - .08)	150 (10.2)	3 to 150 (.2 to 10.2)

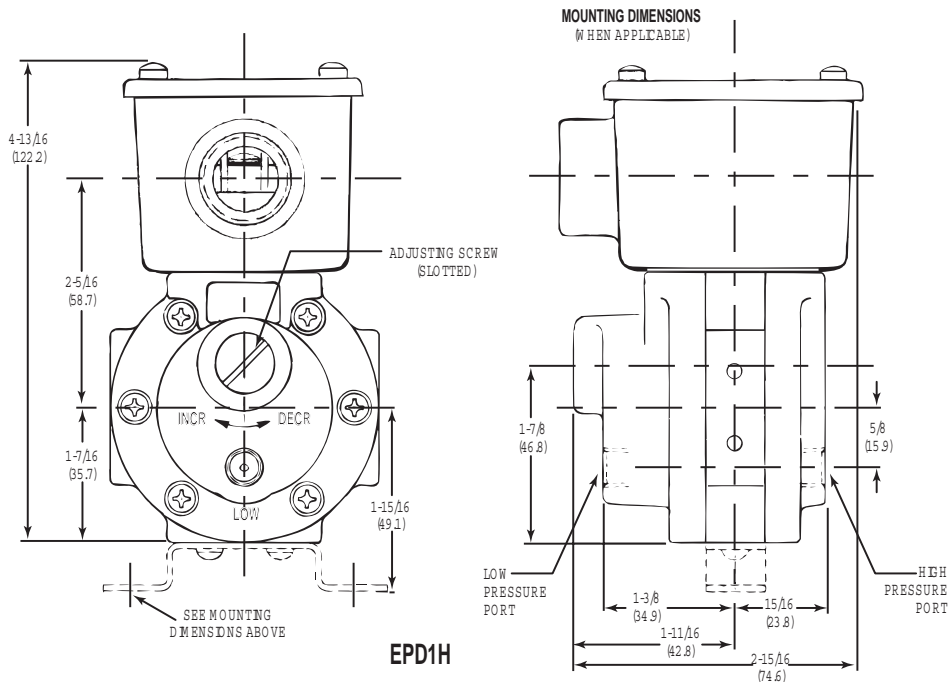
Options
 -WXXX Extra wire length (XXX = inches)

EPD1S-AA40-Z1

Example: EPD1S-AA40-Z1

Miscellaneous:	
Paper Tag:	\$5.00
Metal Tag:	\$10.00

NOTE: Values shown are for Class AA limit switch. Consult sales drawing for Class BB or Class CC values.



TR Automatyka Sp. z o.o.

ul. Lechicka 14
 02-156 Warszawa
 tel. +48 (22) 886 10 16, fax. +48 (22) 846 50 37
 NIP: 522-27-58-993
<http://www.trautomatyka.pl>
 e-mail: biuro@trautomatyka.pl