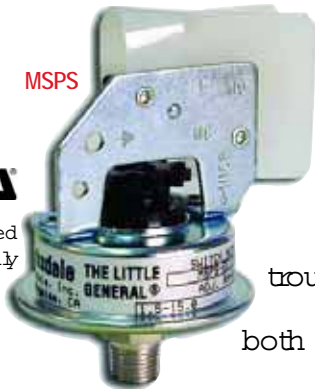


# MSPS, MSPH Pressure Switch

**General Pressure**  
**MSPS, MSPH Series**

- ❖ Compact Size
- ❖ Stripped and Housed Versions Available
- ❖ Easy Setpoint Adjustment
- ❖ High Reliability
- ❖ NEMA 1, 3 & 4



Stripped models only

The **MSPS** and **MSPH Series Pressure Switches** offer reliable, trouble-free performance in a compact, economical package. Available in both stripped and housed models, this switch can reliably measure and control pressures up to 100 psi. A variety of limit switches are available to accommodate up to 20 Amps of switching current at 125 VAC. With its UL and CSA listings, this switch is an ideal choice for use in pool & spa heaters. A wide range of available options allow the **MSPS** and **MSPH Series Pressure Switches** to be easily adapted for general industrial use. For low-pressure applications requiring a highly economical solution, **Barksdale MSPS** and **MSPH Series Pressure Switches** are the switches to choose.



**TR Automatyka Sp. z o.o.**  
 ul. Lechicka 14  
 02-156 Warszawa  
 tel. +48 (22) 886 10 16, fax. +48 (22) 846 50 37  
 NIP: 522-27-58-993  
[http:// www.trautomatyka.pl](http://www.trautomatyka.pl)  
 e-mail: [biuro@trautomatyka.pl](mailto:biuro@trautomatyka.pl)

# MSPS, MSPH Pressure Switch

## With Barksdale - Pressure's No Problem

As a recognized leader in the manufacture of pressure product solutions, we meet the demanding requirements of our customers. From 29" Hg to 18,000 psi, Barksdale has pressure switches for a variety of applications - from transformers to natural gas compressors to beverage dispensers - and more!

**Barksdale's MSPS and MSPH Series Pressure Switches** provide an economical solution for your pressure sensing needs. Available in both stripped (**MSPS**) and housed (**MSPH**) versions, this versatile switch controls pressures up to 100 psi. Setpoint adjustment is easily accomplished via an integrated adjustment knob - no special tools are required. A variety of factory options are available, including a wide selection of limit switches allowing for up to 15 Amps of switching currents, alternative diaphragm materials for compatibility with the process media, and special cleaning for oxygen service.

### MSPS, MSPH Applications

With its economical design and repeatability of 2% of full scale, **Barksdale's MSPS and MSPH Series Pressure Switches** provide an accurate and reliable solution for pressures up to 100 psi, making them ideal for use in:

- Pool & Spa Heaters
- Beverage Dispensing
- Medical Gas Delivery Systems
- General Industrial Applications



### Need Something Special?

If you have special product requirements, we can help. Barksdale specializes in custom design solutions to meet your needs. Our reputation is built on creating custom products for customers committed to getting exactly what they need. We have design engineers and technical specialists who are experts in solving your unique pressure problems. Our technology and resources are at your disposal.

# MSPS, MSPH Pressure Switch

**Electrical Characteristics**

All models incorporate Underwriters' Laboratories, Inc. listed single pole double throw or single pole single throw snap-action switching elements.

**Performance Characteristics**

**Accuracy Switch**

+/- 2.0% of the adjustable range

**Electrical Rating**

See Table Below

**Physical**

**Shipping Weight**

Stripped Versions 0.25 lbs. approximate

Housed Versions 0.5 lbs. approximate

**Wetted Parts**

Process Fitting 304 Stainless Steel (Standard)

Seals & Diaphragms Buna-N (Standard)

**Enclosure**

Anodized Aluminum base plate; Polysulfone housing

**Ratings**

Housed Models: NEMA 4; Stripped Models: NEMA 1

**Pressure Connection**

1/8" NPT Male

**Electrical Connection**

.250" wide x .032" thick quick connect terminals (via 1/2" NPT conduit connector on housed models)

**Approvals**

**UL**

All models shown are UL Recognized components under Industrial Control Equipment, Motor Controllers, Float and Pressure Operated (NKPZ2) Files MH8147 and E42816.

**CSA**

All models and modifications shown are CSA listed under Class 3231 02, File LR22355.

**PED (European)**

Compliant to PED 97/23/EC

**Environmental**

**Temperature Range**

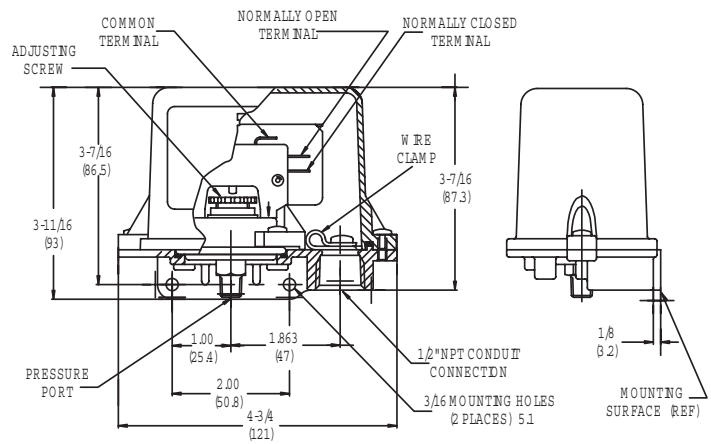
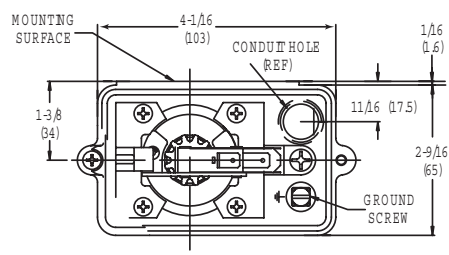
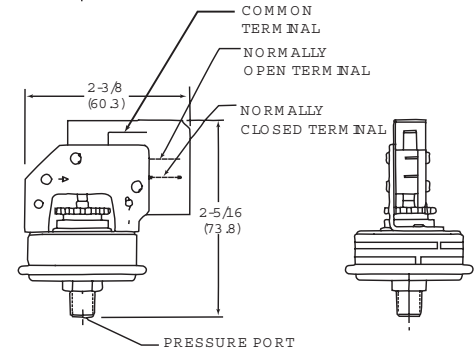
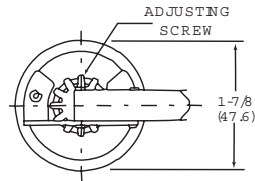
Operating +20° to +165°F (-7° to +74°C)

**Contact Factory for These Options**

FDA Approved diaphragm

Oxygen Cleaning

Factory Pre-set



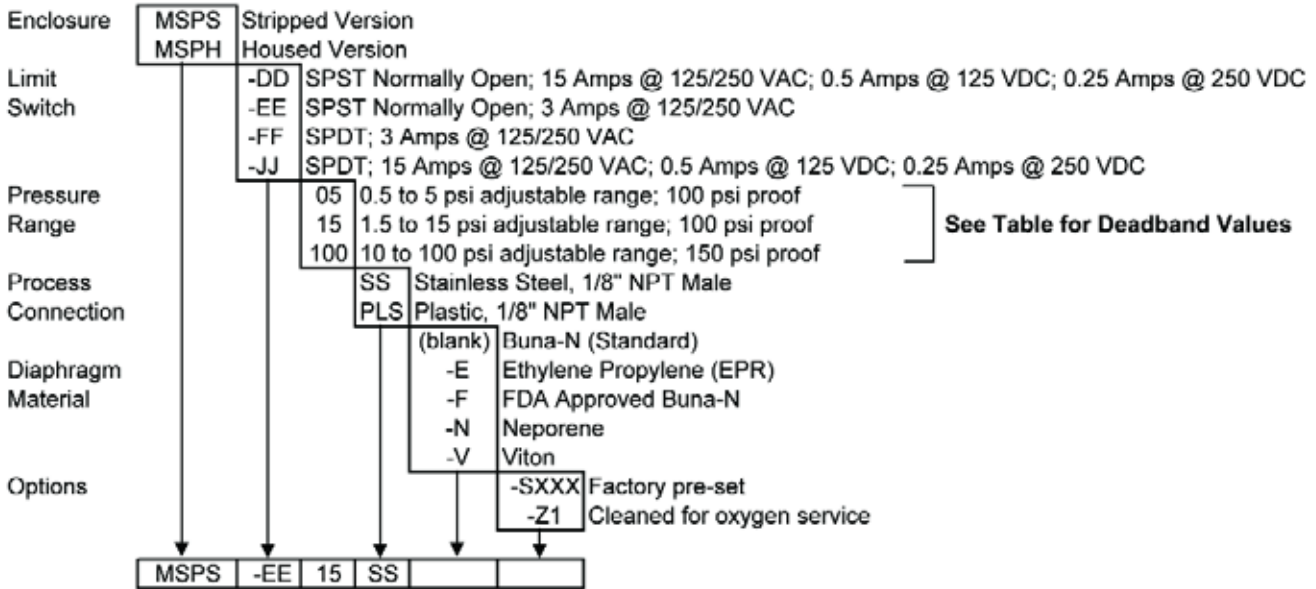
**Electrical Rating**

Limit Switch Class	Voltage (Volts)	Maximum Continuous Current (Amps)	
		Resistive	Inductive
EE, FF	125/250 VAC	3	3
DD, JJ	125/250 VAC	15	15
DD, JJ	125 VDC	0.5	0.5
	250 VDC	0.25	0.25

# MSPS, MSPH Pressure Switch

## General Pressure

### MSPS, MSPH Series



#### Adjustable Pressure Ranges and Deadband Values

<b>Miscellaneous:</b>	
Paper Tag	\$5.00
Metal Tag:	\$10.00

Limit Switch	Adjustable Range				Approx. Deadband (Actuation Value) psi (bar)	Proof Pressure psi (bar)	
	Decreasing -psi (bar)		Increasing -psi (bar)				
	Min.	Max.	Min.	Max.			
EE or FF	05	.5 (.03)	4.5 (.3)	1 (.07)	5 (.3)	2-5 (.01-.03)	100 (6.7)
	15	1.5 (1)	14.2 (.9)	2.3 (.2)	15 (1)	3-8 (.02-.05)	100 (6.7)
	100	10 (.6)	92.1 (6.1)	17.9 (1.2)	100 (6.7)	2-7.9 (.1-.5)	150 (10)
DD or JJ	05	.5 (.03)	4.3 (.3)	1.2 (.08)	5 (.3)	2-7 (.01-.05)	100 (6.7)
	15	1.5 (1)	14 (.9)	2.5 (.2)	15 (1)	3-1 (.02-.07)	100 (6.7)
	100	10 (.6)	91 (.6)	19 (1.3)	100 (6.7)	2.6-9 (.2-.6)	150 (10)

Consult Sales Drawing for alternative limit switches.



TR Automatyka Sp. z o.o.

ul. Lechicka 14  
02-156 Warszawa  
tel. +48 (22) 886 10 16, fax. +48 (22) 846 50 37  
NIP: 522-27-58-993  
http://www.trautomatyka.pl  
e-mail: biuro@trautomatyka.pl