

7000 Pressure Switch

Plastic or Stainless Steel

Series 7000

- ✦ Compact Size
- ✦ High Reliability
- ✦ True SPDT Snap-Action Micro-Switch
- ✦ Available in Corrosion-Resistant Thermoplastic or Stainless Steel
- ✦ Factory Pre-Set or Field Adjustable
- ✦ NEMA 1 or 4X



Model shown with
DIN connection

The Series 7000 Pressure Switch delivers powerful performance in a compact, economical package. Available in corrosion-resistant thermoplastic or stainless steel, this switch measures, controls and switches pressures from 0 to 3,000 psi. A snap action micro-switch eliminates the inconsistent operation of floating contacts found in similar designs. This UL Recognized and CSA listed switch can be used for high or low pressure control, safety shutdown and alarm functions for most industrial equipment applications. NSF approvals make the Series 7000 Pressure Switch an ideal choice for pressure control in demanding food and beverage applications. When the application is critical and space is limited, the Series 7000 is the switch to choose.



TR Automatyka Sp. z o.o.

ul. Lechicka 14
02-156 Warszawa
tel. +48 (22) 886 10 16, fax. +48 (22) 846 50 37
NIP: 522-27-58-993
<http://www.trautomatyka.pl>
e-mail: biuro@trautomatyka.pl

7000 Pressure Switch

With Barksdale — Pressure's No Problem

As a recognized leader in the manufacture of pressure product solutions, we meet the demanding requirements of our customers. From vacuum to 18,000 psi, Barksdale has pressure switches for a variety of applications — from transformers to natural gas compressors to beverage dispensers — and more!

Series 7000 - Little Switch...Big Performance

The new **Series 7000 Pressure Switch** provides an economical solution for your pressure sensing requirements. At just 1" in diameter by 2" long, this dynamic little switch controls pressures from 0 to 3,000 psi.

Series 7000 Applications

The low-pressure diaphragm-type sensor designs are available in both plastic and stainless steel. With repeatability of 8% full range, the **Series 7000** provides an accurate solution for pressures up to 3,000 psi for applications in:

- Pool & Spa Heaters
- Beverage Dispensers
- Air Proving in HVAC Systems
- Engine Monitoring.

The high-pressure piston-type sensor designs offer 4% repeatability of full range, high cycle rates and pressure to 3,000 psi making it ideal for:

- Hydraulic Power Units
- Mobile Hydraulics
- Pump or Compressor Control
- Hydraulic and Pneumatic Braking Systems



Need Something Special?

If you have special product requirements, we can help. Barksdale specializes in custom design solutions to meet your needs. Our reputation is built on creating custom products for customers committed to getting exactly what they need. We have design engineers and technical specialists who are experts in solving your pressure problems. Our technology and resources are at your disposal.

7000 Pressure Switch

Electrical Characteristics All models incorporate Underwriters' Laboratories, Inc. and CSA Listed single pole double throw snap-action switching elements.

Performance Characteristics
Accuracy +/- 4% full scale high pressure (piston type)
 +/- 8% full scale low pressure (diaphragm type)
Switch SPDT single

Physical
Weight Plastic: Approximate .10 lbs.
 Stainless Steel: Approximate .25 lbs.

Enclosure Stripped, NEMA 1, NEMA 4X
Wetted Materials Diaphragm Type (range 0, 1, 2, 3): NORYL® plastic fitting with NORYL® plastic housing and Buna N diaphragm, or 300 Series Stainless Steel fitting with NORYL® plastic housing and Buna N diaphragm
 Piston Type (ranges 4, 5): 300 Series Stainless Steel fitting with NORYL® plastic housing, Stainless Steel piston, Buna N O-ring

Approvals
UL Recognized Components per UL 508 Standard, Industrial Control Equipment

CSA Listed per CSA Guide 380-W1.16 Class 3231

FDA/NSF Certified per NSF 18

PED (European) Compliant to PED 97/23/EC Standard

Environmental
Operating Temp. Range -40° to +180°F - piston type
 0° to 180°F - diaphragm type

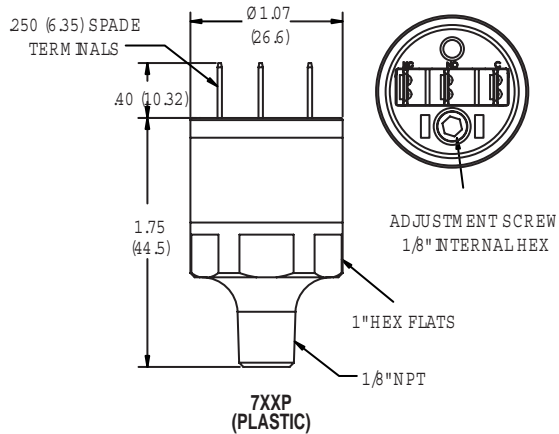
Storage Temp. Range -40° to +200°F

EMI/RFI

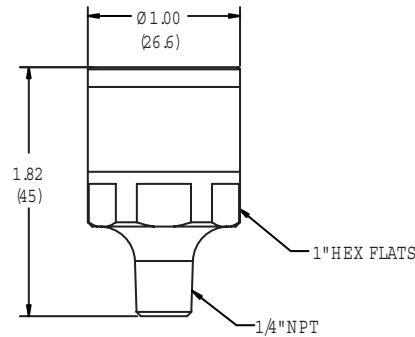
Vibration 10 g's per MIL-STD 202, Method 204, Condition A

Shock 50 g's per MIL-STD 202, Method 213, Condition A

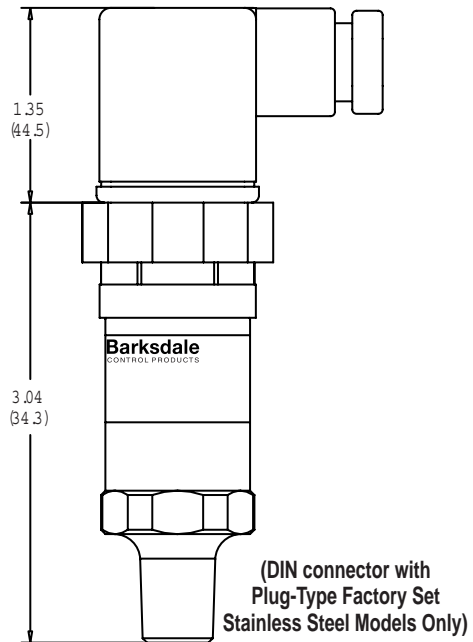
Adjustment Instructions
Pressure Set Point Turn adjustment screw clockwise to increase pressure; counterclockwise to decrease pressure



7XXP (PLASTIC)
With Spade Terminal



7XXS
Stainless Steel



7000 Pressure Switch

Plastic or Stainless Steel

Series 7000

Series	7 Basic Series 7000 Pressure Switch																																																					
Adjustability	1 Factory Set and Permanently Locked 2 Field Adjustable 3 Field Adjustable with Factory Pre-Set																																																					
Pressure Set point Ranges	<table border="1"> <thead> <tr> <th rowspan="2"></th> <th colspan="4">Adjustable Range</th> <th rowspan="2">Approx. Dead-band (Actuation Value) PSI (bar)</th> <th rowspan="2">Max Overpressure (Proof) PSI (bar)</th> </tr> <tr> <th>Decreasing psi (bar)</th> <th colspan="2">Increasing PSI (bar)</th> <th></th> </tr> </thead> <tbody> <tr> <td>0</td> <td>1 (.07)</td> <td>3 (.20)</td> <td>1.5 (.10)</td> <td>4 (.28)</td> <td>2 - 1 (.01 - .07)</td> <td>20 (1.4)</td> </tr> <tr> <td>1</td> <td>1 (.07)</td> <td>7 (.48)</td> <td>2 (.14)</td> <td>10 (.69)</td> <td>5 - 4 (.03 - .28)</td> <td>50 (3.45)</td> </tr> <tr> <td>2</td> <td>5 (.34)</td> <td>35 (2.4)</td> <td>10 (.69)</td> <td>50 (3.45)</td> <td>2 - 30 (.14 - 2)</td> <td>100 (6.9)</td> </tr> <tr> <td>3</td> <td>20 (1.4)</td> <td>90 (6.2)</td> <td>30 (2)</td> <td>120 (8.3)</td> <td>5 - 30 (.34 - 2)</td> <td>250 (17.2)</td> </tr> <tr> <td>4</td> <td>100 (6.9)</td> <td>700 (48.3)</td> <td>200 (13.8)</td> <td>1000 (68.9)</td> <td>30 - 300 (2 - 20.7)</td> <td>6000 (414)</td> </tr> <tr> <td>5</td> <td>500 (34.5)</td> <td>2300 (158.6)</td> <td>600 (41.4)</td> <td>3000 (206.9)</td> <td>100 - 800 (6.9 - 55.2)</td> <td>6000 (414)</td> </tr> </tbody> </table>		Adjustable Range				Approx. Dead-band (Actuation Value) PSI (bar)	Max Overpressure (Proof) PSI (bar)	Decreasing psi (bar)	Increasing PSI (bar)			0	1 (.07)	3 (.20)	1.5 (.10)	4 (.28)	2 - 1 (.01 - .07)	20 (1.4)	1	1 (.07)	7 (.48)	2 (.14)	10 (.69)	5 - 4 (.03 - .28)	50 (3.45)	2	5 (.34)	35 (2.4)	10 (.69)	50 (3.45)	2 - 30 (.14 - 2)	100 (6.9)	3	20 (1.4)	90 (6.2)	30 (2)	120 (8.3)	5 - 30 (.34 - 2)	250 (17.2)	4	100 (6.9)	700 (48.3)	200 (13.8)	1000 (68.9)	30 - 300 (2 - 20.7)	6000 (414)	5	500 (34.5)	2300 (158.6)	600 (41.4)	3000 (206.9)	100 - 800 (6.9 - 55.2)	6000 (414)
			Adjustable Range						Approx. Dead-band (Actuation Value) PSI (bar)	Max Overpressure (Proof) PSI (bar)																																												
		Decreasing psi (bar)	Increasing PSI (bar)																																																			
	0	1 (.07)	3 (.20)	1.5 (.10)	4 (.28)	2 - 1 (.01 - .07)	20 (1.4)																																															
	1	1 (.07)	7 (.48)	2 (.14)	10 (.69)	5 - 4 (.03 - .28)	50 (3.45)																																															
	2	5 (.34)	35 (2.4)	10 (.69)	50 (3.45)	2 - 30 (.14 - 2)	100 (6.9)																																															
3	20 (1.4)	90 (6.2)	30 (2)	120 (8.3)	5 - 30 (.34 - 2)	250 (17.2)																																																
4	100 (6.9)	700 (48.3)	200 (13.8)	1000 (68.9)	30 - 300 (2 - 20.7)	6000 (414)																																																
5	500 (34.5)	2300 (158.6)	600 (41.4)	3000 (206.9)	100 - 800 (6.9 - 55.2)	6000 (414)																																																
Fitting Material	P Noryl® Plastic (Ranges 0, 2 & 3) S 300 Series Stainless Steel F Noryl® Plastic with NSF/FDA compliance (Ranges 0, 2 & 3)																																																					
Electrical Rating	-1 SPDT, Snap-action switch, 5A at 125/250 VAC, 5A at 30 VDC (Silver Contacts) -2 SPDT, Snap-action switch, 0.1A at 125/250 VAC (Gold Contacts) -4 SPST, N.O., Snap-action switch, 5A at 125/250 VAC, 5A at 30 VDC (Silver Contacts) -5 SPST, N.C., Snap-action switch, 5A at 125/250 VAC, 5A at 30 VDC (Silver Contacts) -6 SPST, N.O., Snap-action switch, 0.1A at 125/250 VAC (Gold Contacts) -7 SPST, N.C., Snap-action switch, 0.1A at 125/250 VAC (Gold Contacts)																																																					
Electrical Connection	1 .250 x .032 male spade quick disconnects (NEMA 1) 2 .110 x .020 male spade quick disconnects (NEMA 1) 3 Free leads, 18 gauge, 18" long (NEMA 1) * 4 Unshielded PVC jacketed cable, 18 gauge, 18" long, (NEMA 4) * 5 DIN 43650-type (18mm square) connector - base only (Stainless Steel fitting only - NEMA 4) * 6 DIN 43650-type (18mm square) connector - with base and plug (Stainless Steel fitting only - NEMA 4) * 7 SJO cable, 3 wire, 18 gauge, 18" long with gland connector (NEMA 4) *																																																					
Process Connection	-1 1/8" NPTM -2 1/4" NPTM -3 7/16-20 with O-ring seal -4 G1/4																																																					
Diaphragm / O-ring Material	B Buna-N V Viton® N Neoprene D Disogrin O-ring (piston models only) F FDA Approved - Buna-N																																																					
Set point	-XXXX Set point (Not required for field adjustable models)																																																					
Set point Direction	R Rising pressure F Falling pressure																																																					
Special Options	W Special length leads, (specify length in inches) Example: W48 = 48" leads																																																					

Example : 715S-16-2V-1500R

Example = 7000 Series pressure switch, factory set and locked at 1500 psi rising pressure. 300 series stainless steel fitting with Viton® seals. SPDT snap action switch rated for 5A at 125/250 VAC. 1/4" NPT male process connection. DIN 43650 type electrical connector with plug.

* NOTES: Electrical Connection Options 3, 4, 5, 6 & 7 available on stainless steel models only.
Electrical Connection Options 4, 5, 6 & 7 available on factory set models only.



TR Automatyka Sp. z o.o.

ul. Lechicka 14
02-156 Warszawa
tel. +48 (22) 886 10 16, fax. +48 (22) 846 50 37
NIP: 522-27-58-993
http://www.trautomatyka.pl
e-mail: biuro@trautomatyka.pl