

TS2000

Solid State Temperature Switch TS2000



- ✧ High Accuracy with Fully Adjustable Deadband
- ✧ Optional 4-20 mA Analog Output
- ✧ Built-In Digital Temperature Readout
- ✧ Fully Configurable via Keypad

Barksdale's **TS2000** offers the accuracy of a solid state temperature switch combined with a temperature transducer in a single, economical package. Our **TS2000** is available in two different configurations: as a dual temperature switch or as a single switch with integrated 4-20 mA analog output. Setpoints and deadband are easily adjusted by using the keypad and the user-friendly menu. Analog transducer outputs are scalable from 25% to 100% of the full adjustable range. A 10-bit microprocessor provides built-in self-diagnostics and allows for switch time delays and cycling up to 100 times per second. For applications requiring precise temperature monitoring and control at an affordable price, the **TS2000** is the ideal solution.



TR Automatyka Sp. z o.o.

ul. Lechicka 14
02-156 Warszawa
tel. +48 (22) 886 10 16, fax. +48 (22) 846 50 37
NIP: 522-27-58-993
<http://www.trautomatyka.pl>
e-mail: biuro@trautomatyka.pl

TS2000

Temperature control digital display, 2 solid state contacts or 1 solid state contact plus 1 analog output 4 - 20 mA, accuracy class 0.5% f. s.

Features

7-segment LED display, microprocessor controlled, self monitoring with error display, display rotateable around 330°, all parameters are configured by keypad.

Additional Features

Tamper proof, keypad lock, rugged construction, vibration- and shock-proof, long term stability, DESINA®-conformity (see also www.desina.de).

Measuring Ranges

32° to +212°F (0° to +100°C); -22° to +302°F (-30° to +150°C)

Applications

Hydraulics and pneumatics (e. g. presses), lubrication monitoring, machine industry, automobile industry, machine tools, injection molding machines

Technical Data

Sensor Element	: PT100-element (Class B)
Materials :	
Wetted Parts	: Stainless steel 1.4435 (ST 316L)
Seals	: FKM (fluorelastomer)
Proof Pressure	: 600 bar (8,700 psi)
Operating Elements	: 3 easy response push buttons
Protection Class	: IP65
Process Connection	: G1/4 male, 1/4" NPT
Dimensions (Housing)	: 1-7/16 x 5-1/8 inch (36 X 130 mm) (without electrical plug), housing rotates for switch adjustment after mounting
Weight	: approx. 200 g with 17 mm sensor length : approx. 0.44 lb. with 0.67 inch sensor length
Measuring Ranges	: 32° to +212°F, -22° to +302°F
Linearity Error	: ±0.5% f. s. at 77°F (25°C)
Time Constant	: approx. 40s
A/D-Converter	
Resolution	: 10 bit (1024 steps per measure. span)
Scanning Rate	: 100/s (for peak value memory)
Electrical Connection	: Plug M 12 x 1, 4-pin, DESINA®-conforming
Sensor Length	: 0.67, 1.97, 11.82 inch
Sensor Diameter	: 1/4 inch (6 mm)



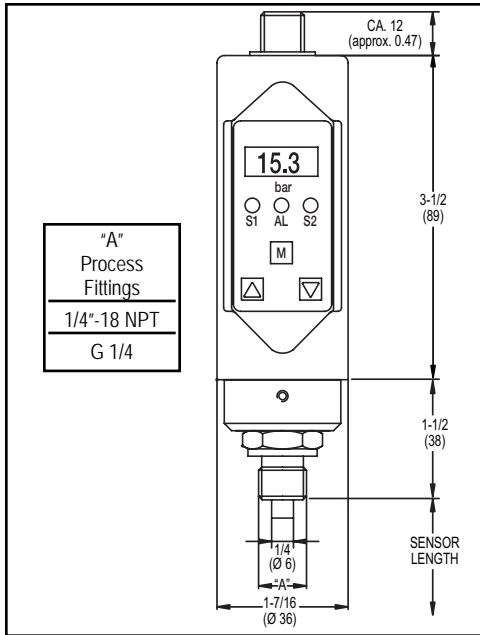
Electrical Connector
Not Included.

Shown with G1/4 Connection

Repeatability	: ±0.1% f. s.
Temperature Range:	
Media	: -22° to +302°F (-30° to +150°C)
Electronics	: +14° to +158°F (-10° to +70°C)
Storage	: -22° to +176°F (-30° to +80°C)
Power Supply	: 15 to 28 V DC
Digital Display	: 3-digit LED display, 7-segment, height 10 mm (0.39 inch), red
Display Range	: -99 to 999
Display Rate	: 20/s
Display Unit	: °F (°C) - adjustable
Error Display	: LED yellow and alphanumeric display (Diagnosis function acc. DESINA®)
Power Consumption	: approx. 50 mA (without load)
Analog Output	
Current Output	: 4 - 20 mA
Load	: max. $RI = (U_b - 12 V) / 20 \text{ mA}$ $RI = 600 \text{ Ohm}$ at $U_b = 24 \text{ V DC}$
Load Influence	: 0.3% / 100 Ohm
Scanning Rate	: 5 ms
Voltage Output	: 0 to 10 V DC (Optional)
Rating	: max. 10 mA, short circuit-proof
Adjustment Range	: 25% to 100% f. s.
Switching Output(s)	
Switching Function (adjustable)	: Normally open/ normally closed, standard-/windows-mode
Adjustment Range	: 0% to 125% f. s.
Hysteresis	: 0% to 125% f. s.
Diagnosis Function	: SP2 (DESINA®-version)
Switching Frequency	: max. 100 Hz
Contact Rating	: max. 400 mA, short circuit-proof
Delay	: 0.0 to 9.9 s adjustable
Status Display(s)	: LED(s) red for activated switching point

TS2000

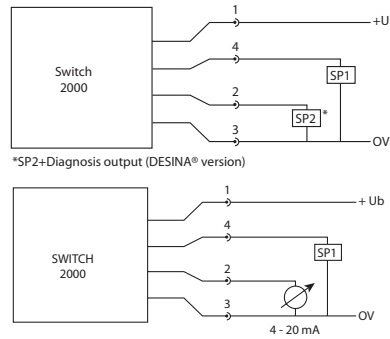
Dimensions



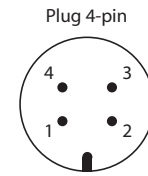
Connection Chart

Plug	Version with 2 switching output (Desina®- version)	Version with 1 switching output and 1 analog output
M 12 X 1, 4-pin	(12 to 32 VDC)	(12 to 32 VDC)
Pin 1	SP2 (0.4 A max.)	analog (4-20 mA)
Pin 2	0 V	0 V
Pin 3	SP1 (0.4 A max.)	SP1 (0.4 A max.)
Pin 4		

Connection Scheme



Plug



Temperature Ranges

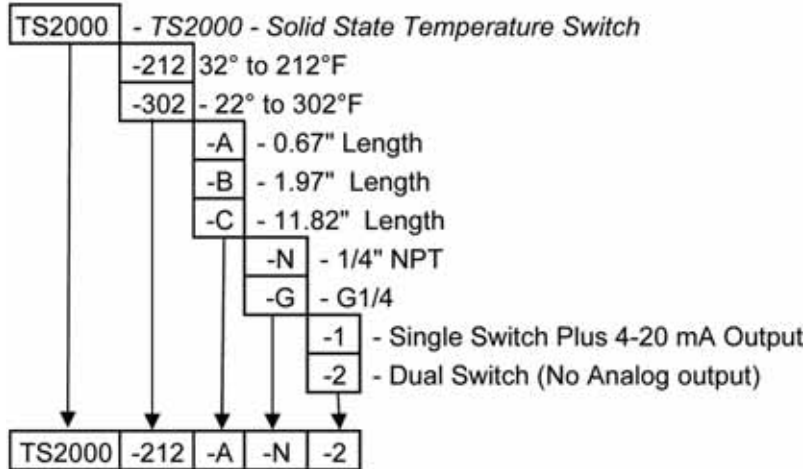
TS2000	Analog Output	Temperature Range	Sensor Length	Part Number (with G1/4 Thread)
Dual PNP Transistor	None	32 to +212 °F	0.67 inch	TS2000-212-A-G-2
Dual PNP Transistor	None	32 to +212 °F	1.97 inch	TS2000-212-B-G-2
Dual PNP Transistor	None	32 to +212 °F	11.82 inch	TS2000-212-C-G-2
Dual PNP Transistor	None	-22 to +302 °F	0.67 inch	TS2000-302-A-G-2
Dual PNP Transistor	None	-22 to +302 °F	1.97 inch	TS2000-302-B-G-2
Dual PNP Transistor	None	-22 to +302 °F	11.82 inch	TS2000-302-C-G-2
Single PNP Transistor	4-20 mA	32 to +212 °F	0.67 inch	TS2000-212-A-G-1
Single PNP Transistor	4-20 mA	32 to +212 °F	1.97 inch	TS2000-212-B-G-1
Single PNP Transistor	4-20 mA	32 to +212 °F	11.82 inch	TS2000-212-C-G-1
Single PNP Transistor	4-20 mA	-22 to +302 °F	0.67 inch	TS2000-302-A-G-1
Single PNP Transistor	4-20 mA	-22 to +302 °F	1.97 inch	TS2000-302-B-G-1
Single PNP Transistor	4-20 mA	-22 to +302 °F	11.82 inch	TS2000-302-C-G-1

TS2000	Analog Output	Temperature Range	Sensor Length	Part Number (with 1/4-18 NPT Thread)
Dual PNP Transistor	None	32 to +212 °F	0.67 inch	TS2000-212-A-N-2
Dual PNP Transistor	None	32 to +212 °F	1.97 inch	TS2000-212-B-N-2
Dual PNP Transistor	None	32 to +212 °F	11.82 inch	TS2000-212-C-N-2
Dual PNP Transistor	None	-22 to +302 °F	0.67 inch	TS2000-302-A-N-2
Dual PNP Transistor	None	-22 to +302 °F	1.97 inch	TS2000-302-B-N-2
Dual PNP Transistor	None	-22 to +302 °F	11.82 inch	TS2000-302-C-N-2
Single PNP Transistor	4-20 mA	32 to +212 °F	0.67 inch	TS2000-212-A-N-1
Single PNP Transistor	4-20 mA	32 to +212 °F	1.97 inch	TS2000-212-B-N-1
Single PNP Transistor	4-20 mA	32 to +212 °F	11.82 inch	TS2000-212-C-N-1
Single PNP Transistor	4-20 mA	-22 to +302 °F	0.67 inch	TS2000-302-A-N-1
Single PNP Transistor	4-20 mA	-22 to +302 °F	1.97 inch	TS2000-302-B-N-1
Single PNP Transistor	4-20 mA	-22 to +302 °F	11.82 inch	TS2000-302-C-N-1

TS2000

Solid State Temperature Switch

TS2000



Example: TS2000-212-A-N-2



TR Automatyka Sp. z o.o.

ul. Lechicka 14
 02-156 Warszawa
 tel. +48 (22) 886 10 16, fax. +48 (22) 846 50 37
 NIP: 522-27-58-993
<http://www.trautomatyka.pl>
 e-mail: biuro@trautomatyka.pl