

TXR, TXL Temperature Switch

Temperature Switch for Hazardous Areas

Series TXR, TXL

- ✦ Explosion-Proof
- ✦ High Accuracy
- ✦ Line or Ambient Sensing
- ✦ UL, CSA & ATEX Approved



Model TXR for remote sensing shown.



Barksdale's TXR & TXL Series Temperature

Switches add flexibility to Barksdale's solid reputation for quality & reliability and offer versatility for your temperature

switching needs. These thermostats are ideal for freeze protection or temperature control in hazardous applications. The TXR & TXL Series thermostats feature 10 foot stainless steel sensors for remote monitoring and local mount sensors for ambient temperature sensing. The TXR

& TXL Series feature limit switches with 10 amps @ 125/250 VAC and 3 amps @ 480 VAC elec-

trical ratings. Optional 22 amp limit switches allow thermostats to be used for higher current, heat tracing applications. The TXR & TXL Series models are all UL listed & CSA approved and ATEX certified

for use in hazardous zones within the European Community.



TR Automatyka Sp. z o.o.

ul. Lechicka 14
02-156 Warszawa
tel. +48 (22) 886 10 16, fax. +48 (22) 846 50 37
NIP: 522-27-58-993
<http://www.trautomatyka.pl>
e-mail: biuro@trautomatyka.pl

TXR, TXL Temperature Switch

When Temperature Matters, Call Barksdale

For many years, Barksdale temperature switches have been switching, measuring and controlling critical processes throughout the world.

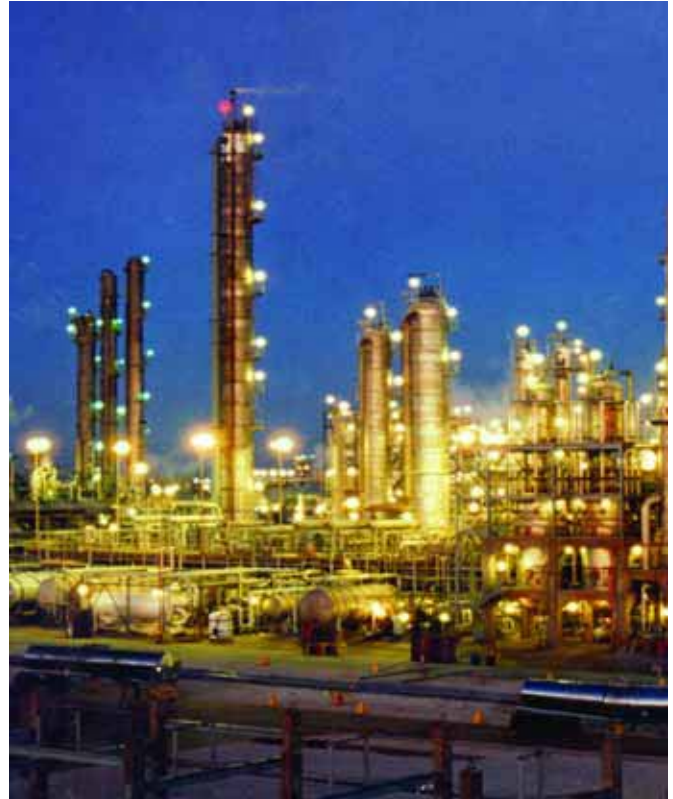
Protect Your Equipment with Barksdale

Barksdale temperature switches prevent damage to heavy industrial equipment by monitoring the temperature of engine fluids and protecting against them a over bads. Hydraulic power units are protected by controlling the temperature of fluids in systems in reservoirs.

In cold climates, Barksdale temperature switches control heating devices that prevent pipes, valves and fittings from freezing preventing expensive loss and downtime. Barksdale thermostats also control the temperature in process piping to maintain the proper flow of media.

Barksdale temperature switches can be used in a variety of applications:

- Hydraulic Power Units
- Combustion Engines
- Tanks and Reservoirs
- Gearboxes
- Pumps
- Compressors
- Machine Tools and Industrial Equipment
- Farm & Construction Machinery
- Process Equipment



Need Something Special?

If you have special product requirements, we can help. Barksdale specializes in custom design solutions to meet your needs. We have design engineers and technical specialists who are experts in solving your unique temperature problems. Our technology and resources are at your disposal.

TXR, TXL Temperature Switch

Performance Characteristics

Accuracy ±1% of full scale
 Switch Type SPDT, Prewired Snap Action
 Rating 10 amp @ 125/250 VAC
 3 amp @ 480 VAC
 Adjustment External adjustment knob

Bulb and Capillary

Material 316L Stainless Steel
 Bulb 7-3/4" (197mm), 5/16" (8mm) dia.
 Capillary Length 10 feet (3m), Remote mount only
 System Pressure (max) 300 psi without thermowell
 Fill Silicone oil-filled

Physical

Weight 3.8 pound (1.7 kg)
 Enclosure Anodized, Silver Painted Aluminum
 Ratings NEMA 4, 7, 9, & IP65
 Electrical Connection 3/4" NPT female conduit connection. 3 pole terminal block accepts 14-10 AWG wire

Approvals

FM, UL, CSA
 ATEX EEx d IIC, T6 (Available as option)
 Class I, Group B, C & D
 Class II, Group E, F & G

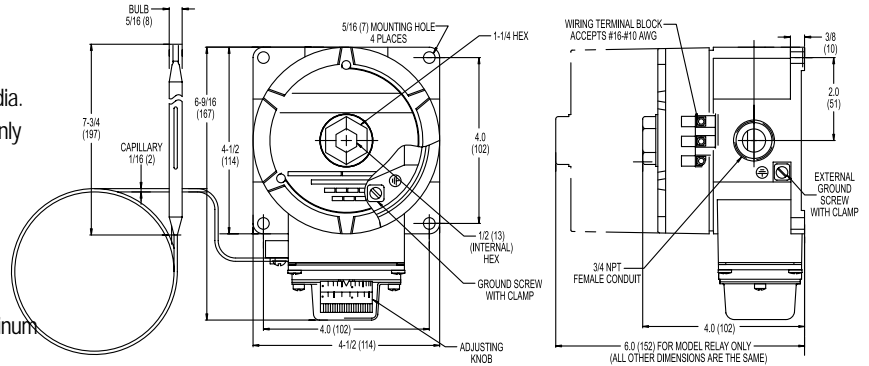
Environmental

Ambient Temperature -40° to 160°F (-40° to 71°C)
 EN/RFI to EN 55011
 Vibration 10 g's 10-500 Hz, MIL-STD 202F
 Shock 50 g's, 10 mS, MIL-STD 901C

Standard Options

(Add dash and suffix letter to end of catalog number)
 R - DPST relay switch. 22 amp @ 120/240/277 VAC. Contacts close on falling temperature. Relay Coil: 120 VAC, 4VA.
 E - For ATEX approval

Example: TXR-L2S-10-E-Q10

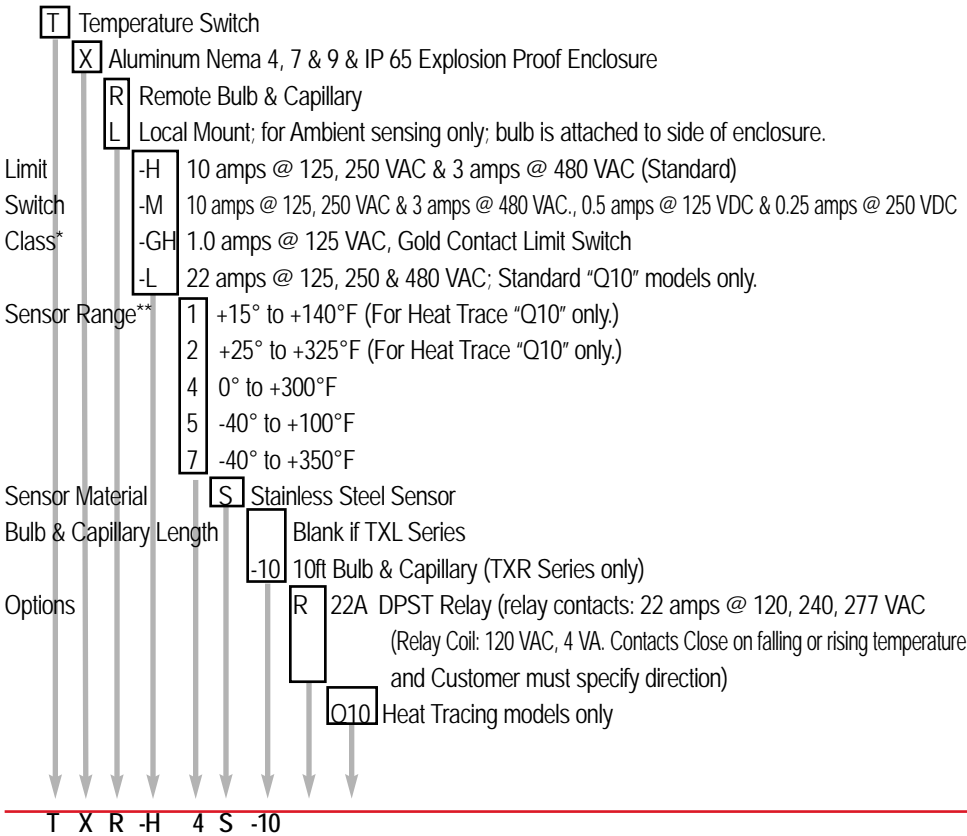


Media Temperature Limits	Adjustable Range	Differential (approximate)	Sensing Location	Catalog Number
-40 to 400°F (-40 to 204°C)	0 to 300°F (-18 to 149°C)	10°F (5.6°C)	Remote	TXR-H4S-10
-40° to 400°F (-40°C to 216°C)	-40° to 350°F (-4° to 163°C)	10°F (5.6°C)	Ambient	TXL-H7S
Heat Tracing				
-40° to 420°F (-40° to 215°C)	25° to 325°F (4° to 163°C)	10°F (5.6°C)	Line Sensing T-stat	TXR-L2S-10-Q10
-40° to 160°F (-40° to 71°C)	15° to 140°F (-9° to 60°C)	10°F (5.6°C)	Ambient Sensing T-stat	TXL-L1S-Q10

TXR, TXL Temperature Switch

Temperature Switch for Hazardous Areas - Configurator

Series TXR, TXL



Example: TXR-H4S-10

Operating Characteristics

Range	Adjustable Range				Media Temperature Limit (Proof)				Differential (Approx.) Liquid		Calibrated Dial Adjustment
	°F		°C		°F		°C		°F	°C	
	Low	High	Low	High	Low	High	Low	High			
1	+15	+140	-0	+60	-40	+160	-40	+71	10	5.6	HeatTracing Only
2	+25	+325	-4	+163	-40	+420	-40	+215	10	5.6	HeatTracing Only
4	0	+300	-18	+149	-40	+400	-40	+204	10	5.6	
5	-40	+100	-40	+38	-65	+150	-54	+66	10	5.6	
7	-40	+350	-40	+177	-40	+400	-40	+204	10	5.6	

NOTE:

* Changing Limit Switch will affect Deadband.

See Sales Drawing.

** See Operating Characteristics.



TR Automatyka Sp. z o.o.

ul. Lechicka 14
 02-156 Warszawa
 tel. +48 (22) 886 10 16, fax. +48 (22) 846 50 37
 NIP: 522-27-58-993
 http://www.trautomatyka.pl
 e-mail: biuro@trautomatyka.pl