

## Type UDS 3 - V3

**Pressure control with internal stainless steel diaphragm, digital display, 4 switching outputs and 1 analog output, accuracy class 0,5% f. s.**

### Features

8-digit 14-segment LCD display with bargraph and trend indication, microcontroller, self monitoring, all parameters are configured by keypad, incl. unit selection, selective keypad lock, high accuracy, quick scanning rate (1 ms)

### Measuring Ranges

0...1 bar to 0...10 bar, absolute pressure  
-1...0 bar to 0...600 bar, gauge

### Applications

OEM-applications, hydraulics and pneumatics, heavy industry and engineering, automobile industry

### Technical Data

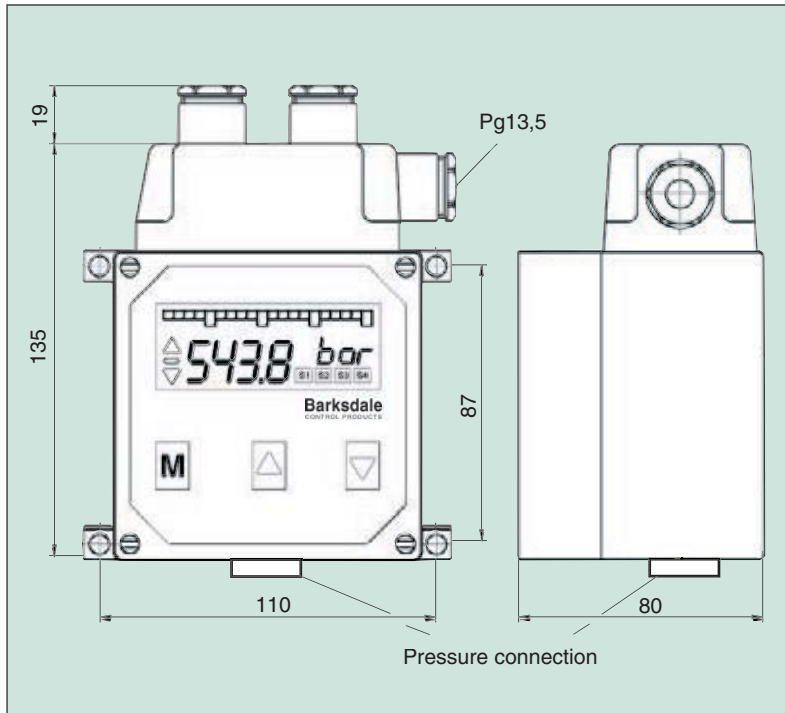
Sensor Element	: Piezoresistive measuring cell
Materials	
Wetted Parts	: Stainless steel 1.4301
Housing (Electronics)	: Aluminum cast G AL SI 12
Seals	: Viton
Keypad	: Polyester foil
Operating Elements	: Keypad with easy response pushbuttons
Protection / Class	: IP65 / I
Pressure Connection	: G1/4 F, bottom entry Option: 1/4" NPT F
Dimensions	: 100 (W) x 135 (H) x 80 (D) mm
Weight	: appr. 1080 g
Measuring Ranges (bar)	: 10   50   100   200   400   600
Proof Pressure (bar)	: 15   75   150   300   600   800
Linearity Error	: $\pm 0,5\%$ f. s. at 25 °C
A/D-Converter	
Resolution	: 12 bit (4096 steps per span)
Scanning Rate	: 1000 / s
Operating Display	: 8-digit 14-segment LCD display, height 12 mm, red
Bargraph	: 20-segments for actual value
Trend Arrows	: Last value change
Display Range	: -9999...9999
Display Rate	: 4 / s
Display Unit	: bar / psi / psi x 10 / hPa / mbar switchable
Electrical Terminals	: Plug-in, terminal strip with 14 screws for 1,5 mm <sup>2</sup> , AWG14 slots
Cable Gland	: 1 x PG 13,5 side entry = standard 2 x PG 13,5 top entry = optional



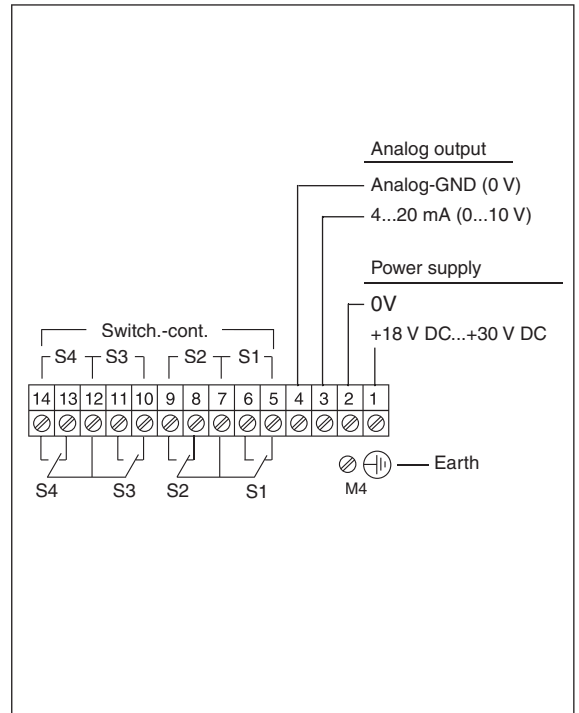
Temperature Influence	: $\pm 0,2\%$ f. s. /10K
Compensation Range	: -10 °C...+70 °C
Repeatability	: $\pm 0,1\%$ f. s.
Temperature Range	: -25 °C ... +100 °C (Media) -10 °C ... + 70 °C (Electronics) -30 °C ... + 80 °C (Storage)
Power Supply	: 18... 32 V DC, reversed polarity protected
Power Consumption	: appr. 350 mA at $U_b = 24$ V DC (without load)
Analog Output	
Current Output	: 4... 20 mA
Load	: max. $RI = (U_b - 12 \text{ V}) / 20 \text{ mA}$ $RI = 600 \text{ Ohm}$ at $U_b = 24 \text{ V DC}$
Load Influence	: 0,3% / 100 Ohm
Scanning Rate	: 1 ms
Voltage Output	: 0...10 V DC
Rating	: max. 10 mA, short circuit-proof
Adjustment Range	: 25%...100% f. s.
4 x Relay Output(s) - SPDT-Contacts	
Contact Rating	: max. 120 V DC / 250 V AC max. 12 W / 1250 VA
Cycles	: 1 Mio. at 24 V DC / 2 A
Switching Rate	: max. 20 / s
Delay	: 0,0 ms ... 9,9 s adjustable
Operation Time	: 1 ms
Status Display	: S1...S4 on LCD display
Options	: Damping screw 0,2 mm, mounting bracket, shock mounts

# Type UDS 3 - V3

## Dimensions (in mm)



## Electrical Connection



## Order Numbers

Pressure switch with indication and 4 relays, G 1/4 F		
Pressure Ranges [bar]	Analog Output	Order Number
10	---	0423-129
10	4...20 mA	0423-117
10	0...10 V	0423-118
50	---	0423-130
50	4...20 mA	0423-119
50	0...10 V	0423-120
100	---	0423-131
100	4...20 mA	0423-121
100	0...10 V	0423-122
200	---	0423-132
200	4...20 mA	0423-123
200	0...10 V	0423-124
400	---	0423-133
400	4...20 mA	0423-125
400	0...10 V	0423-126
600	---	0423-134
600	4...20 mA	0423-127
600	0...10 V	0423-128

## Accessories

Order Number	Description
901-0677	Damping screw M4 x 0,2 for UDS 3, UDS 7, Switch 2000, material: brass
0099-001	Mounting traverse, standard (1 set = 2 pcs.)
0099-002	Mounting traverse, Hydac-compatible (1 set = 2 pcs.)
914-0107	Vibration dampers (1 set = 4 pcs.)



TR Automatyka Sp. z o.o.  
 ul. Lechicka 14  
 02-156 Warszawa  
 tel. +48 (22) 866 10 16, fax. +48 (22) 846 50 37  
 NIP: 522-27-58-993  
 http://www.trautomatyka.pl  
 e-mail: biuro@trautomatyka.pl