

Compact Pressure Switches XTK (Piston) / XTM (Diaphragm)

Technical Data

Repeatability	: $\pm 1\%$ typ. Piston switch XTK $\pm 2\%$ typ. Diaphragm switch XTM
Switching Frequency	: max. 60/min Piston switch XTK max. 30/min Diaphragm switch XTM
Max. Temperature	: -40 °C to +80 °C Piston switch XTK -20 °C to +80 °C Diaphragm switch XTM
Pressure Connection	: G 1/4 female (G1) or Flange connection (F1)
Electrical Connection	: Plug connector DIN 43650
Electrical Ratings and Hysteresis	: See chart
Protection Class	: IP65
Housing	: Compact housing made of Aluminum
Wetted Parts	: NBR and PTFE Stainless steel and roller bearing steel
Intrinsically safe	: The switches are designed for intrinsically safe applications. Please add 'exi' to your ordering details when placing an order. To comply with the intrinsically safe approval following max. ratings must not be exceeded: U _{max} = 28 V, I _{max} = 50 mA
Set Point Adjustment	: Turn the adjustment screw clockwise to increase the set point.
Weight (appr.)	: Piston switch XTK: 0,43 kg Diaphragm switch XTM: 0,43 kg

05 / 03 KDM-ENG 03 / 2

Barksdale Mechanical Pressure Switches

Subject to technical changes.

Wiring Code for all Types
(contact status at atmospheric pressure)

Adjustable Ranges

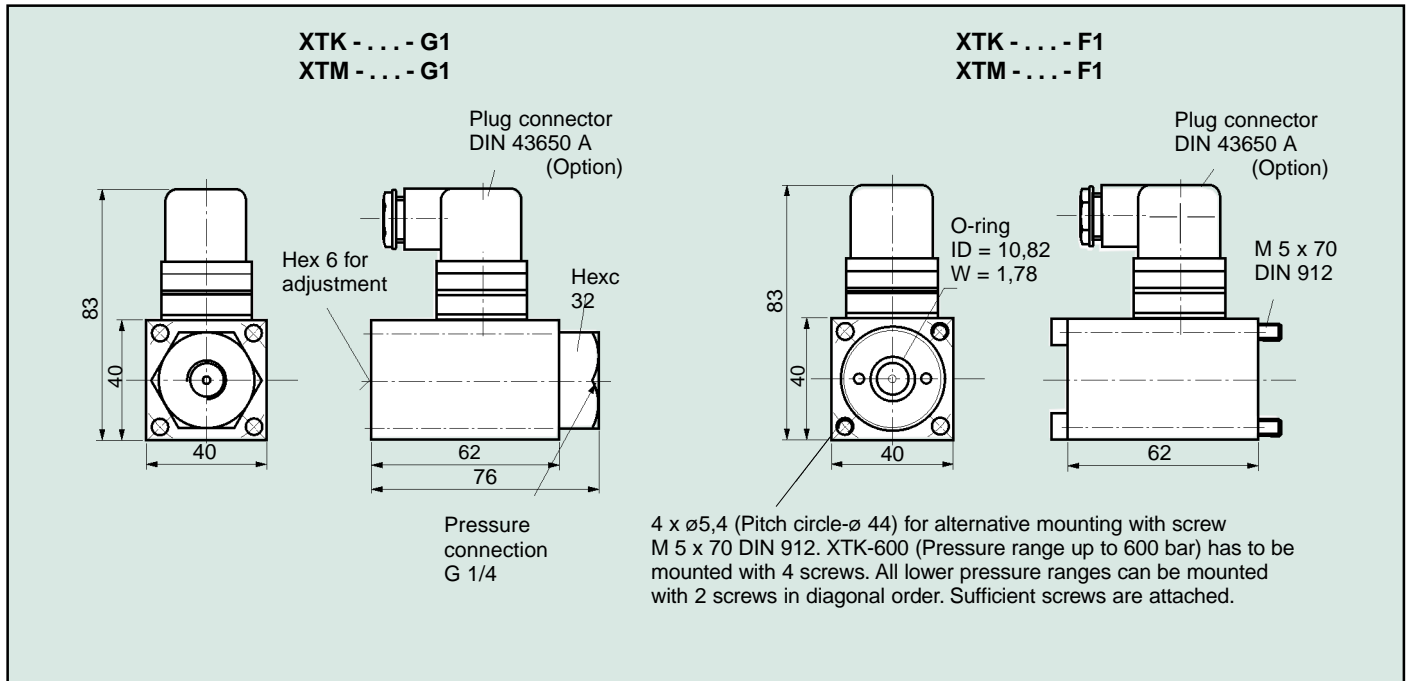
Pressure Range Code	Adjustable Range (bar) (Increasing Pressure)	Proof Press. (short term) in bar	Max. Operating Pressure in bar	Max. Hysteresis of Switch Types in bar (End of Range)
Diaphragm				
XTM-004	1 ... 4	80 / 200	40*	0,5
XTM-010	3 ... 10	80 / 200	40*	1,0
XTM-020	5 ... 20	80 / 200	40*	1,9
XTM-040	10 ... 40	80 / 200	40*	4,0
Piston				
XTK-100	30 ... 100	600 / 900	400*	18
XTK-200	60 ... 200	600 / 900	400*	29
XTK-400	100 ... 400	600 / 900	400*	29
XTK-600	130 ... 600	900 / 900	600	80

* XTM: Higher operating pressure up to 150 bar (with proof pressure 200 bar) on request. Please add to your order!

* XTK: Higher operating pressure up to 600 bar (with proof pressure 900 bar) on request. Please add to your order!

Compact Pressure Switches XTK (Piston) / XTM (Diaphragm)

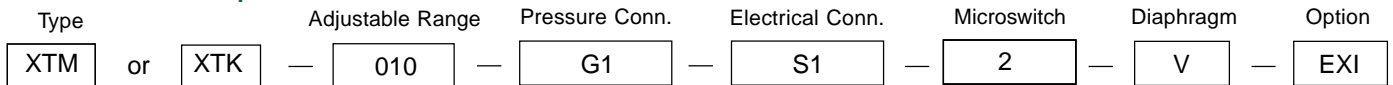
Dimensions (in mm)



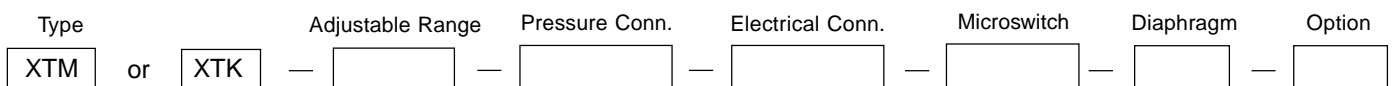
Electrical Ratings

Silver contacts	Inductive load	Resistive load	Gold-plated contacts
30 V =	5,0 A	5,0 A	U _{max} 30 V =
250 V =	0,03 A	0,25 A	I _{max} 400 mA
250 V ~	5,0 A	5,0 A	(U · I) _{max} 0,12 VA

Order number example



Your order number



Adjustable Range	Press. Connect.	Electr. Connection	Microswitch	Diaphragm	Options
Type XTM (004) 1...4 bar (010) 3...10 bar (020) 5...20 bar (040) 10...40 bar Type XTK (100) 30...100 bar (200) 60...200 bar (400) 100...400 bar (600) 130...600 bar	(F1) Flange acc. to C-Top TK44 (G1) G 1/4 F	(S1) Connector DIN 43650-A, 3P+ground	(1) Silver contact (2) Gold-plated contact	without NBR only Type XTM (V) Viton (N) Neopren	Type XTM and XTK: (EXI) for EXI applications (TP) Adjustment screw cover plate Type XTM: (HP) Operating press. up to 150 bar (XTM), up to 900 bar (XTK)

