

Type UDS 7

Pressure control with internal or flush stainless steel diaphragm, digital display, 2 solid state outputs and 1 analog output, accuracy class 0,5% f. s., optional RS232 or Profibus-DP interface

Features

Alphanumeric 4-digit Dot-Matrix display, microprocessor-controlled, self monitoring with error display, scalable analog output, all parameters are configured by keypad, adjustable keypad lock, interface with simple operating menu, various access levels, rugged stainless steel construction, optional: rotatable display

Measuring Ranges

0...1 bar to 0...10 bar, absolute pressure
-1...0 bar to 0...600 bar, gauge

Applications

Hydraulics and pneumatics, process- and chemical industry, test bed and instrumentation industry, automobile industry, injection moulding machines

Technical Data

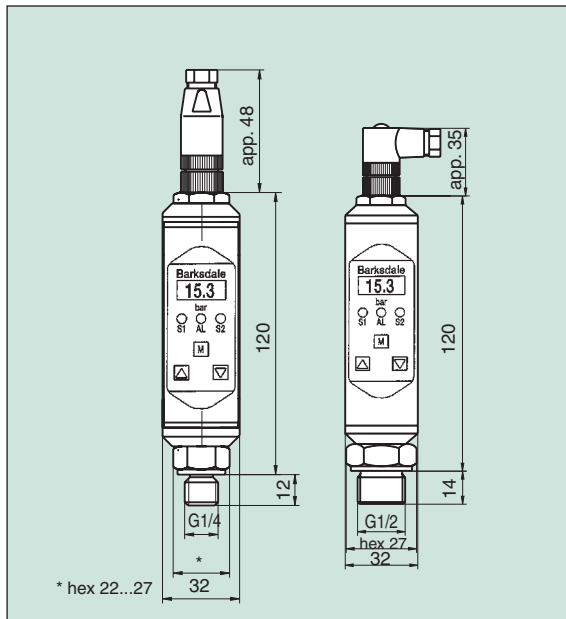
Sensor Element	: Piezoresistive measuring cell Option: Thin film DMS measuring cell
Materials :	
Wetted Parts	: Stainless steel 1.4301
Housing (Electronics)	: Stainless steel 1.4571
Seals	: Viton
Operating Elements	: Easy response pushbuttons
Protection / Class	: IP65 plug / III IP67 cable / III
Pressure Connection	: G1/4 M, 1/4" NPT M G1/2 M, flush diaphragm for viscous media
Dimensions	: 32 mm x 120 mm (without electrical plug)
Weight	: appr. 350 g
a) Measuring Ranges (bar)	
a)	0,2 0,4 0,6 1 2 5 10 50 100 200 400 600 800 1000
b)	2,5 2,5 2,5 3 4 7 15 75 150 300 600 800 1000 1500
b) Proof Pressure (bar)	
Linearity Error	: ±0,5% f. s. at 25 °C Special calibration (Option): ±0,25% f. s.
A/D-Converter	
Resolution	: 12 bit (4096 steps per measuring span)
Scanning Rate	: 100/s (for peak value memory)
Electrical Connection	: PG7 incl. 1,5 m cable or plug M12 x 1, 4-pin / 5-pin)
Temperature Influence	: ±0,2% f. s. /10K



Compensation Range	: -10 °C...+70 °C
Repeatability	: ±0,1% f. s.
Temperature Range	: -25 °C...+100 °C (Media) -10 °C...+ 70 °C (Electronics) -30 °C...+ 80 °C (Storage)
Power Supply	: 18... 32 V DC, reversed polarity protected
Operating Display	: 4-digit Dot-matrix display, height 5 mm, green
Display Range	: -999...9999
Display Rate	: 5/s
Delay	: 0,0...9,9 adjustable
Brightness	: 20...100% adjustable
Error Display	: LED red and alphanumeric display
Power Consumption	: appr. 40 mA at $U_b = 24$ V DC (without load)
Analog Output	
Current Output	: 4... 20 mA
Load	: max. $RI = (U_b - 12 \text{ V}) / 20 \text{ mA}$ $RI = 600 \text{ Ohm}$ at $U_b = 24 \text{ V DC}$
Load Influence	: 0,3% / 100 Ohm
Voltage Output	: 0...10 V DC
Rating	: max. 10 mA, short circuit-proof
Adjustment Range	: 0%...125% f. s.
Solid State Output(s)	
Adjustment Range	: 0%...125% f. s.
Hysteresis	: 0%...125% f. s.
Switching Frequency	: max. 100 Hz
Contact Rating	: max. 500 mA, short circuit-proof
Delay	: 0,0... 9,9 s adjustable
Status Display	: LED green
Accessories	: Adaptor for pressure switch adjust- ment, damping screw, electrical plug
Approval	: GL (German Lloyd) with ship cable only, on request

Type UDS 7

Dimensions (in mm)

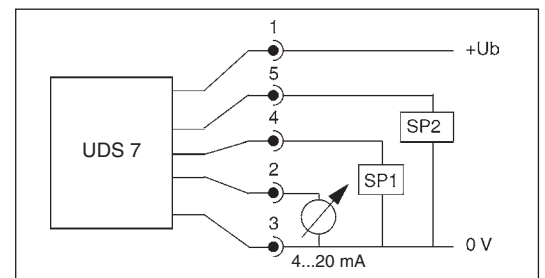
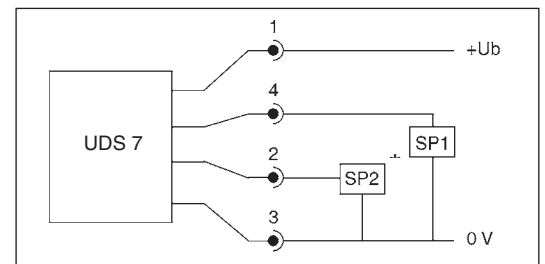
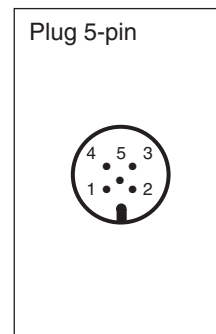


Connection Chart Plug 1 (Standard)

Plug M 12 x 1, 5-pin	Model with 1 switching output	Model with 2 switching outputs	Model with 1 switching output and 1 analog output	Model with 2 switching outputs and 1 analog output
Pin 1	+Ub 18...32 V DC	+Ub 18...32 V DC	+Ub 18...32 V DC	+Ub 18...32 V DC
Pin 2	-	SP2 0,5 A max.	analog 4...20 mA/ 0...10 V DC	analog 4...20 mA/ 0...10 V DC
Pin 3	0 V	0 V	0 V	0 V
Pin 4	SP1 0,5 A max.	SP1 0,5 A max.	SP1 0,5 A max.	SP1 0,5 A max.
Pin 5	-	-	-	SP2 0,5 A max.

Connection Scheme

Plug



Order Numbers

Pressure Ranges	All UDS 7-models: 2 solid state outputs, analog output: see below plug: M12 x 1, 5 pin			
	LED-Dot-Matrix-display, pressure connection: G1/4 M		LED-Dot-Matrix-display, pressure connection: G1/2 M quasi flush diaphragm	
	4...20 mA	0...10 V DC	4...20 mA	0...10 V DC
0... 1 bar absolute	0427-488	0427-729	---	---
0... 5 bar absolute	0427-489	0427-730	---	---
0... 10 bar absolute	0427-490	0427-731	---	---
0... 10 bar relative	0427-491	0427-735	0427-509	0427-736
0... 50 bar relative	0427-492	0427-737	0427-510	0427-738
0... 100 bar relative	0427-493	0427-739	0427-511	0427-740
0... 200 bar relative	0427-494	0427-741	0427-512	0427-742
0... 400 bar relative	0427-495	0427-743	0427-513	0427-744
0... 600 bar relative	0427-496	0427-745	0427-514	0427-746

Other measuring ranges on request.

Accessories

Order Number	Description
0499-016	Adaptor G1/4 F - G1/4 M for optimum alignment of pressure switch
906-0052	Adaptor G1/4 F - G1/2 M manometer connection
0499-002	Wall mounting brackets stainless steel
901-0677	Damping screw with 0,2 mm restriction against quick pressure changes and high pulsation rate



TR Automatyka Sp. z o.o.
ul. Lechicka 14, 02-156 Warszawa
NIP: 522-27-58-993

tel. +48 22 886 10 16, fax +48 22 846 50 37
http://www.trautomatyka.pl
e-mail: biuro@trautomatyka.pl