

# LMK 807 LMK 809

## Plastic Submersible Transmitter

- ▶ thickfilm ceramic sensor
- ▶ hydrostatic level measurement in aggressive media
- ▶ diameter:  
LMK 807: 35 mm  
LMK 809: 45 mm
- ▶ nominal pressure ranges:  
LMK 807: 0 ... 6 mWC up to  
0 ... 100 mWC  
LMK 809: 0 ... 1.6 mWC up to  
0 ... 6 mWC

Level transmitters LMK 807 and LMK 809 are designed for level measurement particularly in highly contaminated and aggressive media.

The flush ceramic diaphragm makes cleaning easier when solid parts of the medium deposit on it.

Pressure ranges from 0 ... 1.6 mWC up to 0 ... 6 mWC are being built as LMK 809 (Ø 45); those of the LMK 807 (Ø 35) reach from 0 ... 6 mWC up to 0 ... 100 mWC.

Different cable sheath materials are available in order to achieve maximum media compatibility.

Preferred areas of use are:

- ▶ environmental engineering: sewage and water treatment plants
- ▶ depth or level measurement in wells and open waters
- ▶ ground water level measurement
- ▶ level measurement in open tanks, also in aggressive media

- ▶ wide area of use
- ▶ easy handling
- ▶ small thermal effect
- ▶ good linearity
- ▶ good long term stability
- ▶ accuracy:  
0.25% FSO BFSL  
(0.5% FSO IEC 60770)
- ▶ **option LMK 809: ceramic diaphragm Al<sub>2</sub>O<sub>3</sub> 99,9 %**
- ▶ customer specific versions:
  - special pressure ranges
  - other versions on request

Characteristics



**LMK 807 / 809**  
Plastic Submersible Transmitter

# LMK 807 / 809

Plastic Submersible Transmitter

Technical Data

Input pressure range <sup>1</sup>										
	LMK 809				LMK 807					
Nominal pressure gauge [bar]	0.16	0.25	0.4	0.6	1	1.6	2.5	4	6	10
Level [mWs]	1.6	2.5	4	6	10	16	25	40	60	100
Permissible overpressure [bar]	0.6	0.6	1.5	1.5	3	7	7	12	12	25

Output signal / Supply	
Standard	2-wire: 4 ... 20 mA / $V_s = 12 \dots 36 V_{DC}$

Performance	
Accuracy <sup>2</sup>	$\leq \pm 0.5 \% \text{ FSO}$ (BFSL: $\leq \pm 0.25 \% \text{ FSO}$ )
Permissible load	$R_{max} = [(V_s - V_{smin}) / 0.02] \Omega$
Influence effects	Supply: 0.05 % FSO / 10 V Load: 0.05 % FSO / k $\Omega$

Thermal effects	
Thermal error for offset and span in compensated range	$\leq \pm 0.2 \% \text{ FSO} / 10 \text{ K}$ -25 ... 85 °C

Electrical protection <sup>3</sup>	
Reverse polarity protection	no damage, but also no function
Electromagnetic compatibility	emission and immunity according to EN 61326

Permissible temperatures		
Media	PVC: 0 ... 50 °C	PVDF: 0 ... 70 °C
Storage	PVC: -10 ... 50 °C	PVDF: -10 ... 70 °C

Electrical connection	
Cable with sheath material <sup>4</sup>	PVC grey PUR black FEP black

<sup>1</sup> LMK 809 from 0.16 bar up to 0.6 bar; LMK 807 from 0.6 bar up to 10 bar

<sup>2</sup> accuracy according to IEC 60770 – limit point adjustment (non-linearity, hysteresis, repeatability)

<sup>3</sup> additional external overvoltage protection unit in terminal box KL1 or KL2 with atmospheric pressure reference available on request (please ask for data sheet)

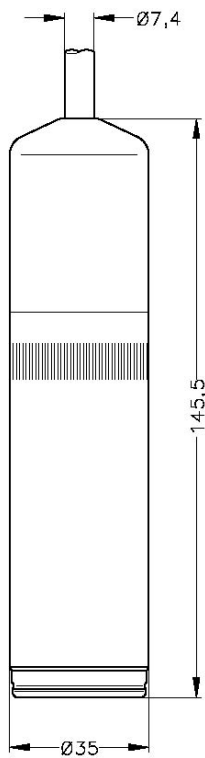
<sup>4</sup> cable with integrated air tube for atmospheric pressure reference

# LMK 807 / 809

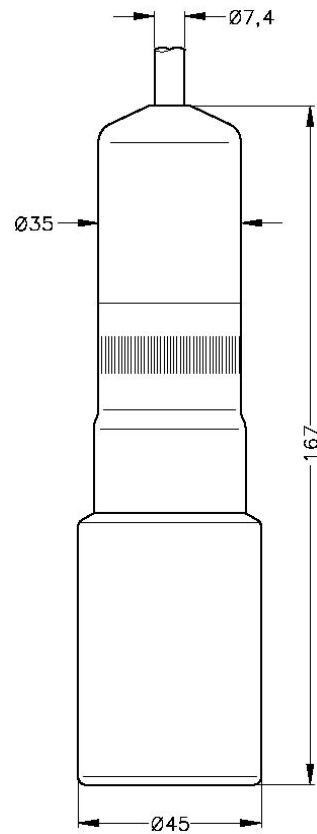
Plastic Submersible Transmitter

Technical Data

## Dimensions



LMK 807



LMK 809

# LMK 807 / 809

Plastic Submersible Transmitter

Technical Data

Materials	
Housing	PVC grey, PVDF
Seals	FKM / EPDM / FFKM
Diaphragm	standard: ceramic Al <sub>2</sub> O <sub>3</sub> 96 % option LMK 809: ceramic Al <sub>2</sub> O <sub>3</sub> 99,9 %
Cable sheath	PVC / PUR / FEP

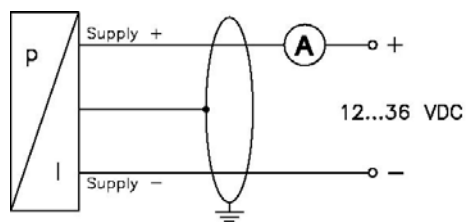
Miscellaneous	
Current consumption	max. 25 mA
Ingress protection	IP 68
Weight	approx. 200 g (without cable)

Mounting accessories (not part of delivery)	
Screw fitting, of stainless steel 1.4571 (316Ti)	
Terminal clamp, of stainless steel 1.4301 (304) or steel, zinc plated	

Pin configuration	
Electrical connection	cable colours (DIN 47100)
2-wire-system	Supply + white Supply - brown
	Ground yellow / black

## Wiring diagram

2-wire-system (current)



This data sheet contains product specification; properties are not guaranteed. Subject to change without notice.