

# SW2000

## Solid State Pressure Switch SW2000



- ❖ High Accuracy with Fully Adjustable Deadband
- ❖ Optional 4-20 mA Analog Output
- ❖ Built-In Digital Pressure Readout
- ❖ Fully Configurable via Keypad
- ❖ Suitable for Rapid Cycling (100 times per second)

**B**arksdale's SW2000 Solid State Pressure Switches offer the accuracy of a solid state pressure switch in an economical package. The SW2000 is available in two different configurations: as a dual pressure switch or as a single switch with integrated 4-20 mA analog output. Setpoints and deadband are easily adjusted by using the keypad and user-friendly menu. Analog transducer outputs are scalable from 25% to 100% of the full adjustable range. A 10-bit microprocessor provides built-in self diagnostics and allows for switch time delays and pressure cycling up to 100 times per second. Built to last, these switches come standard with IP65 protection. For applications requiring precision pressure monitoring and control at an affordable price, a **SW2000 Solid State Pressure Switch** is the ideal solution.



TR Automatyka Sp. z o.o.  
ul. Lechicka 14, 02-156 Warszawa  
NIP: 522-27-58-993

tel. +48 22 886 10 16, fax +48 22 846 50 37  
<http://www.trautomatyka.pl>  
e-mail: [biuro@trautomatyka.pl](mailto:biuro@trautomatyka.pl)

## SW2000

Pressure control with internal stainless steel diaphragm, digital display, 2 solid state contacts or 1 solid state contact plus 1 analog output, accuracy class 0.5% f. s.

### Features

7-segment LED display, microprocessor, self monitoring with error display, all parameters are configured by keypad.

### Additional Features

Tamper proof, keypad lock, rugged construction, vibration- and shock-proof, long term stability, controlled, DESINA® conformity (see also www.desina.de).

### Measuring Ranges

0 - 15 psi to 0 - 9000 psi

### Applications

OEM-applications in hydraulics and pneumatics (e. g. presses), lubrication monitoring, machine/ machine tool industry, automobile industry, injection molding machines

### Technical Data

<b>Sensor Element</b>	: Piezoresistive measuring cell
<b>Materials:</b>	
Wetted Parts	: 304 Stainless steel
Seals	: FKM (fluorelastomer)
<b>Operating Elements</b>	: 3 easy response push buttons
<b>Protection/Class</b>	: IP65
<b>Pressure Connection</b>	: 1/4-18 NPT, 7/16-20 SAE, G1/4 M
<b>Dimensions</b>	: 1-7/16" X 5-1/8" (36 mm x 130 mm) (without electrical plug)
<b>Weight</b>	: approx. 0.4 lb (200 g)
<b>Measuring Ranges (psi)</b>	: 150   750   1500   3000   6000   9000
<b>Proof Pressure (psi):</b>	: 220   1100   2175   4400   9000   11,600
<b>Linearity Error (Measuring Cell)</b>	: ±0.5% f. s. at 77°F(25°C)
<b>A/D-Converter</b>	
Resolution	: 10 bit (1,024 steps per measure. span)
Scanning Rate	: 100/s (for peak value memory)
<b>Electrical Connection</b>	: Plug M 12 x 1, 4-pin, DESINA® conformity
<b>Temperature Influence</b>	: ±0.2% f.s. /10K
<b>Compensation Range</b>	: 14°F to 158°F (-10°C to +70°C)
<b>Repeatability</b>	: ±0.1% f. s.
<b>Temperature Range</b>	:
Media	-13°F to 212°F (-25°C to +100°C)
Electronics	14°F to 158°F (-10°C to +70°C)
Storage	-22°F to 176°F (-30°C to +80°C)
<b>Power Supply</b>	: 15 to 28 VDC



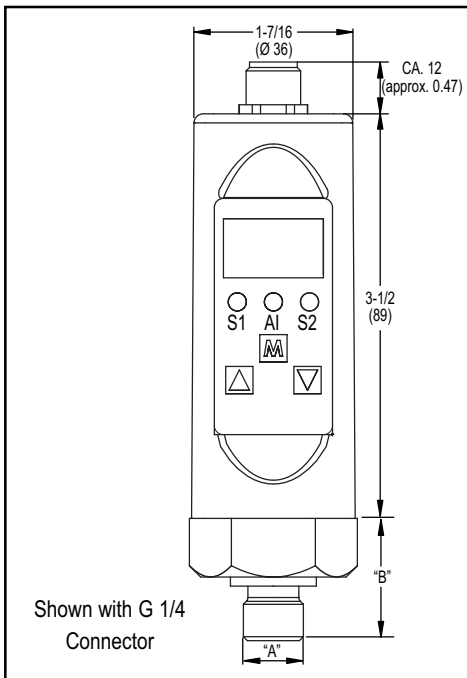
Electrical Connector  
Not Included.

Shown with 1/4 - 18 NPT  
Connection

<b>Digital Display</b>	: 3-digit 7-segment LED display, height 10 mm, (0.39 inches), red
Display Range	: -1 to 999
Display Rate	: 20 / s
<b>Error Display</b>	: LED red and alphanumeric display, (diagnosis function acc. DESINA®)
<b>Power Consumption</b>	: approx. 50 mA (without load)
<b>Analog Output</b>	
Current Output	: 4-20 mA
Load	: max. RI = (Ub-12 V) / 20 mA RI = 600 Ohm at 24 V DC
Load Influence	: 0.3% / 100 Ohm
Scanning Rate	: 5 ms
Voltage Output	: 0 to 10 V DC (Optional)
Rating	max. 10 mA, short circuit-proof
Adjustment Range	: 25% to 100% f. s.
<b>Switching Output(s)</b>	
Switching Function (adjustable)	: Normally open/ normally closed, standard-/windows-mode
Adjustment Range	: 0% to 125% f. s.
Hysteresis	: 0% to 125% f. s.
<b>Diagnosis Function</b>	: SP2 (DESINA®-model)
Switching Frequency	: max. 100 Hz
Contact Rating	: max. 400 mA, short circuit-proof
Delay	: 0.0 to 9.9 s adjustable
Status Display(s)	: LED(s) red

# SW2000

### Dimensions

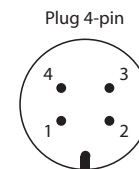


### Connection Chart

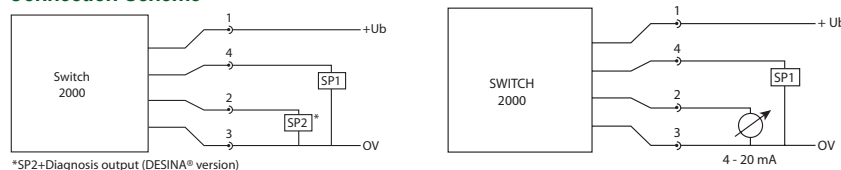
Plug	Version with switching output (Desina® - version)	Version with 1 switching output and 1 analog output
M 12 X 1, 4 pin	(15 to 28 VDC)	(15 to 28 VDC)
Pin 1	SP2 (0.4 A max.)	analog (4-20 mA)
Pin 2	O V	O V
Pin 3	SP1 (0.4 A max.)	SP1 (0.4 A max.)
Pin 4		

NOTE: PNP Switching Configuration

### Plug



### Connection Scheme



### Dimensions (in inches)

Process Connections "A"	"B"
1/4-18 NPT	2
G 1/4	1-1/8
7/16-20-SAE	2

### Pressure Ranges

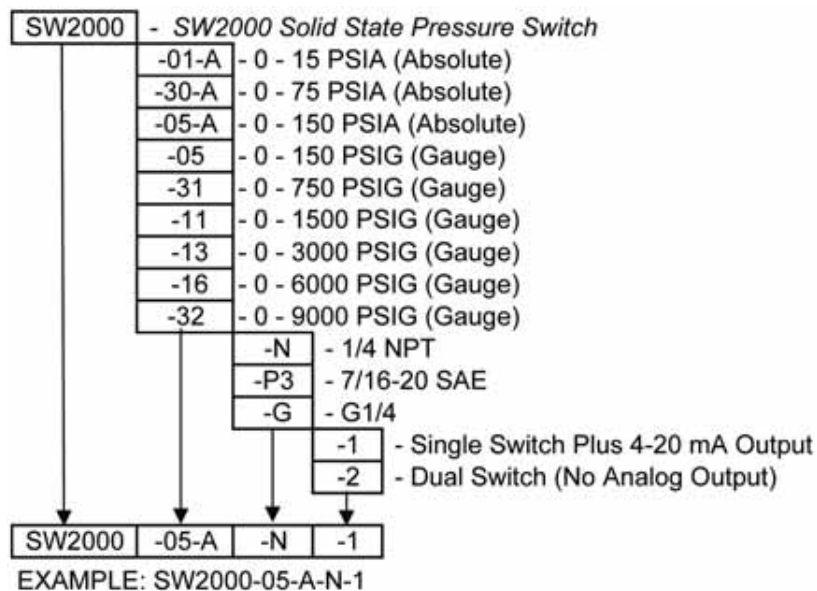
#### Dual Switch (No Analog)

SW2000 Pressure Range	Part Number 1/4" NPT Fitting
0-15 psi (0-1 bar) absolute	SW2000-01-A-N-2
0-75 psi (0-5 bar) absolute	SW2000-30-A-N-2
0-150 psi (0-10 bar) absolute	SW2000-05-A-N-2
0-150 psi (0-10 bar) gauge	SW2000-05-N-2
0-750 psi (0-50 bar) gauge	SW2000-31-N-2
0-1500 psi (0-100 bar) gauge	SW2000-11-N-2
0-3000 psi (0-200 bar) gauge	SW2000-13-N-2
0-6000 psi (0-400 bar) gauge	SW2000-16-N-2
0-9000 psi (0-600 bar) gauge	SW2000-32-N-2
	7/16-20 SAE Fitting
0-15 psi (0-1 bar) absolute	SW2000-01-A-P3-2
0-75 psi (0-5 bar) absolute	SW2000-30-A-P3-2
0-150 psi (0-10 bar) absolute	SW2000-05-A-P3-2
0-150 psi (0-10 bar) gauge	SW2000-05-P3-2
0-750 psi (0-50 bar) gauge	SW2000-31-P3-2
0-1500 psi (0-100 bar) gauge	SW2000-11-P3-2
0-3000 psi (0-200 bar) gauge	SW2000-13-P3-2
0-6000 psi (0-400 bar) gauge	SW2000-16-P3-2
0-9000 psi (0-600 bar) gauge	SW2000-32-P3-2

#### Units with single switch plus 4-20 mA analog output:

SW2000 Pressure Range	Part Number 1/4" NPT Fitting
0-15 psi (0-1 bar) absolute	SW2000-01-A-N-1
0-75 psi (0-5 bar) absolute	SW2000-30-A-N-1
0-150 psi (0-10 bar) absolute	SW2000-05-A-N-1
0-150 psi (0-10 bar) gauge	SW2000-05-N-1
0-750 psi (0-50 bar) gauge	SW2000-31-N-1
0-1500 psi (0-100 bar) gauge	SW2000-11-N-1
0-3000 psi (0-200 bar) gauge	SW2000-13-N-1
0-6000 psi (0-400 bar) gauge	SW2000-16-N-1
0-9000 psi (0-600 bar) gauge	SW2000-32-N-1
	7/16-20 SAE Fitting
0-15 psi (0-1 bar) absolute	SW2000-01-A-P3-1
0-75 psi (0-5 bar) absolute	SW2000-30-A-P3-1
0-150 psi (0-10 bar) absolute	SW2000-05-A-P3-1
0-150 psi (0-10 bar) gauge	SW2000-05-P3-1
0-750 psi (0-50 bar) gauge	SW2000-31-P3-1
0-1500 psi (0-100 bar) gauge	SW2000-11-P3-1
0-3000 psi (0-200 bar) gauge	SW2000-13-P3-1
0-6000 psi (0-400 bar) gauge	SW2000-16-P3-1
0-9000 psi (0-600 bar) gauge	SW2000-32-P3-1

# SW2000



**TR Automatyka Sp. z o.o.**  
 ul. Lechicka 14, 02-156 Warszawa  
 NIP: 522-27-58-993

tel. +48 22 886 10 16, fax +48 22 846 50 37  
<http://www.trautomatyka.pl>  
 e-mail: [biuro@trautomatyka.pl](mailto:biuro@trautomatyka.pl)