

Contact-Proximity Output Repeaters Model D2052M-D2053M for DIN-Rail Mounting in Safe Areas

Characteristics:

General description:

D2000M Series Intrinsicly Safe Multiplexing System consists of 1 to 4 Analog-Temperature Multiplexer Units model D2010M, up to 12 Expander Units model D2011M, and up to 4 D2030M Digital Multiplexer Units, mounted in Zone 0, 1, 2 Hazardous Area, Gas Group IIC T4, connected via a single/redundant 2 wire data communication / Supply line to a Modbus Gateway Unit model D2050M, mounted in Safe Area and connected to a PLC, DCS or PC.

The D2052M Unit is equipped with 32 relay output SPDT contacts. Connected to D2050M Unit, it repeats the status of each D2030M digital input Multiplexer Unit.

The D2053M Unit is equipped with 32 Open Collector Transistor Outputs. Connected to D2050M Unit it repeats the status of each D2030M digital input Multiplexer Unit.

Features:

32 Fully Isolated Channels.

EMC according to EN50081-2, EN50082-2.

High Reliability, SMD components.

High Density, 32 channels per unit, 128 channels per System.

Simplified installation using standard DIN Rail mounting Units.

Technical Data:

Supply:

24 V nominal (20-30 V). Reverse polarity protected.

Max. Power Consumption: D2052M: 5 W. D2053M: 1,8 W.

Isolation:

500 V.

Relay Output:

SPDT Contacts 2 A, 60 V.

Open Collector Output:

50 mA at 35 V or 100 mA at 12 V (≥ 1 V drop).

Compatibility:



CE mark compliant, conforms to 94/9/EC Atex Directive and to 89/336/CEE EMC Directive, EN60010-1.

Environmental Condition:

Operating: - 20 to + 60 °C, Relative Humidity max 90 % non condensing, up to 35 °C.

Storage: 40 to + 80 °C.

Mounting:

DIN Rail T35 according EN50022.

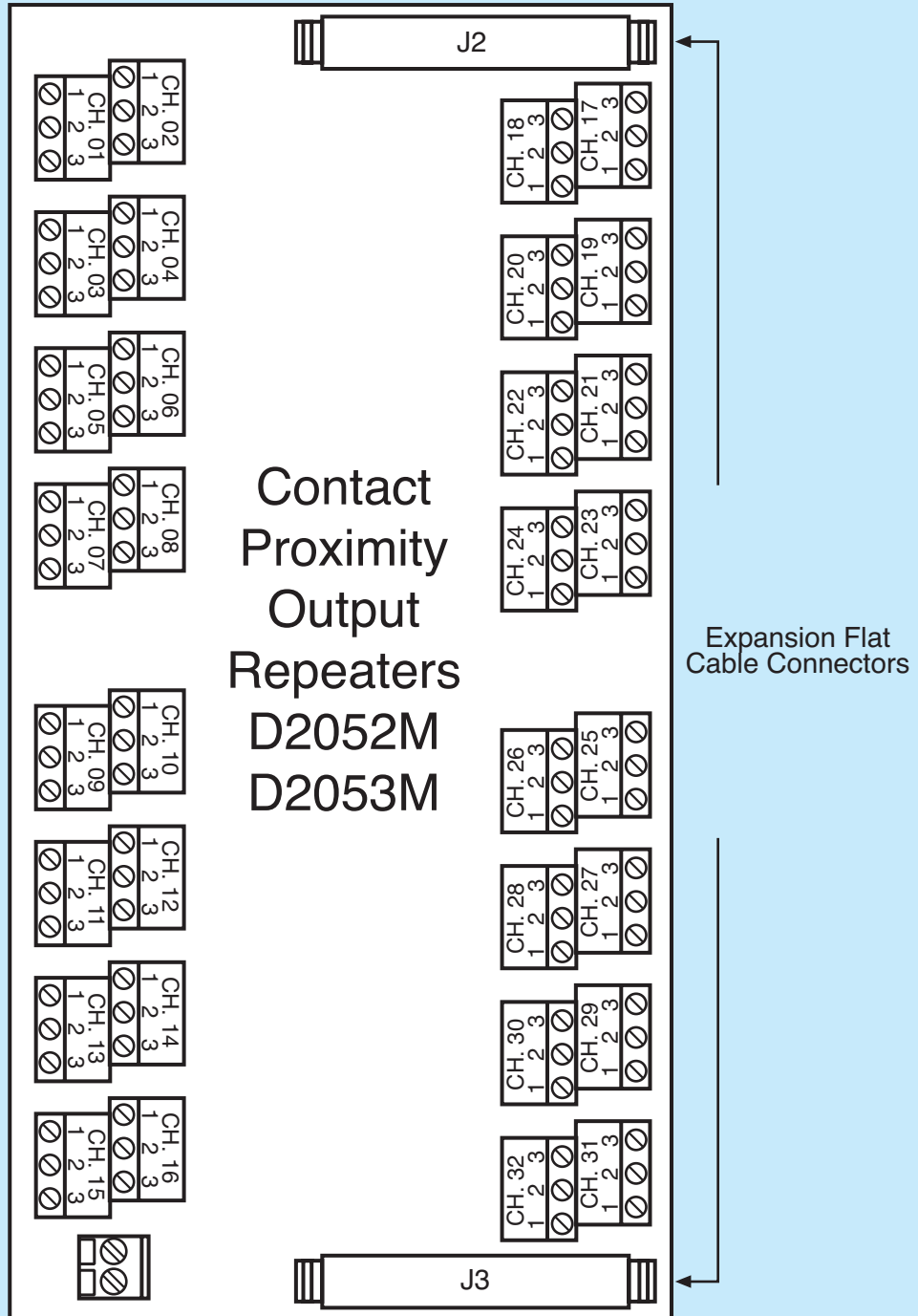
Weight: About 300 g.

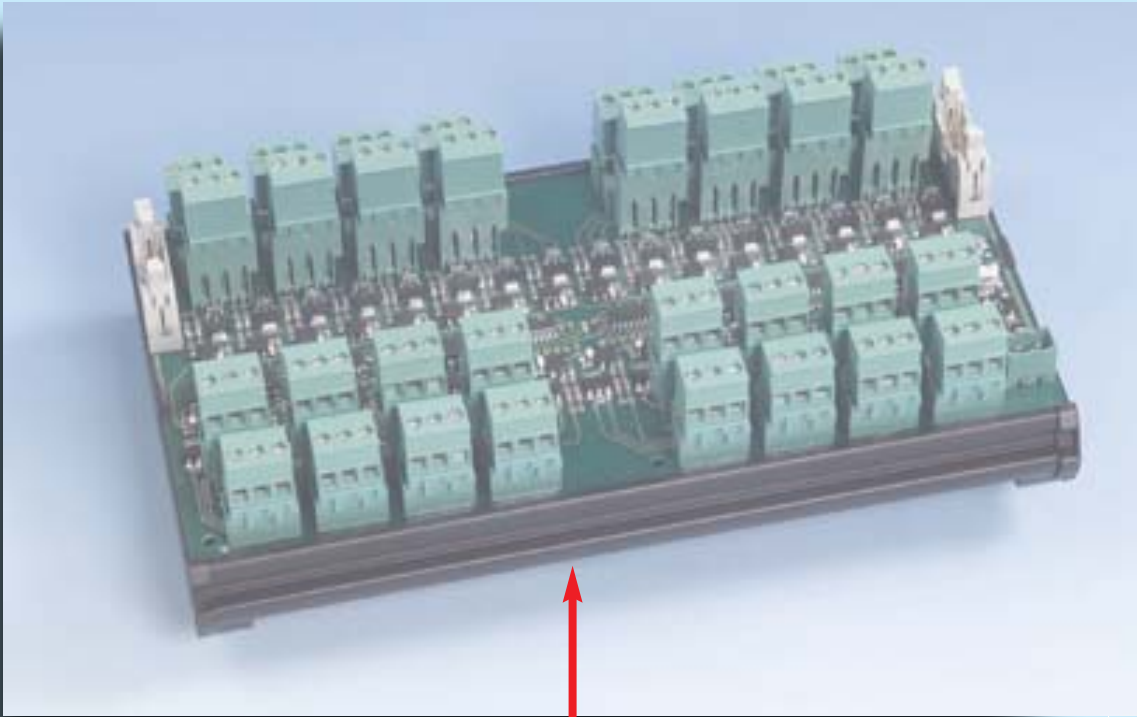
Connections: By screw terminals for up to 2,5 mm².

Installation Area: Safe Area.

Protection Class: IP 20.

Dimensions: 127 W x 220 L x 78 D mm.





D2053M Unit Transistor Output with 32 Plug-in Terminals Blocks

D2052M Unit Relay Output with 32 Plug-in Terminals Blocks

