



**SPRING RETURN**  
**"ASR"**



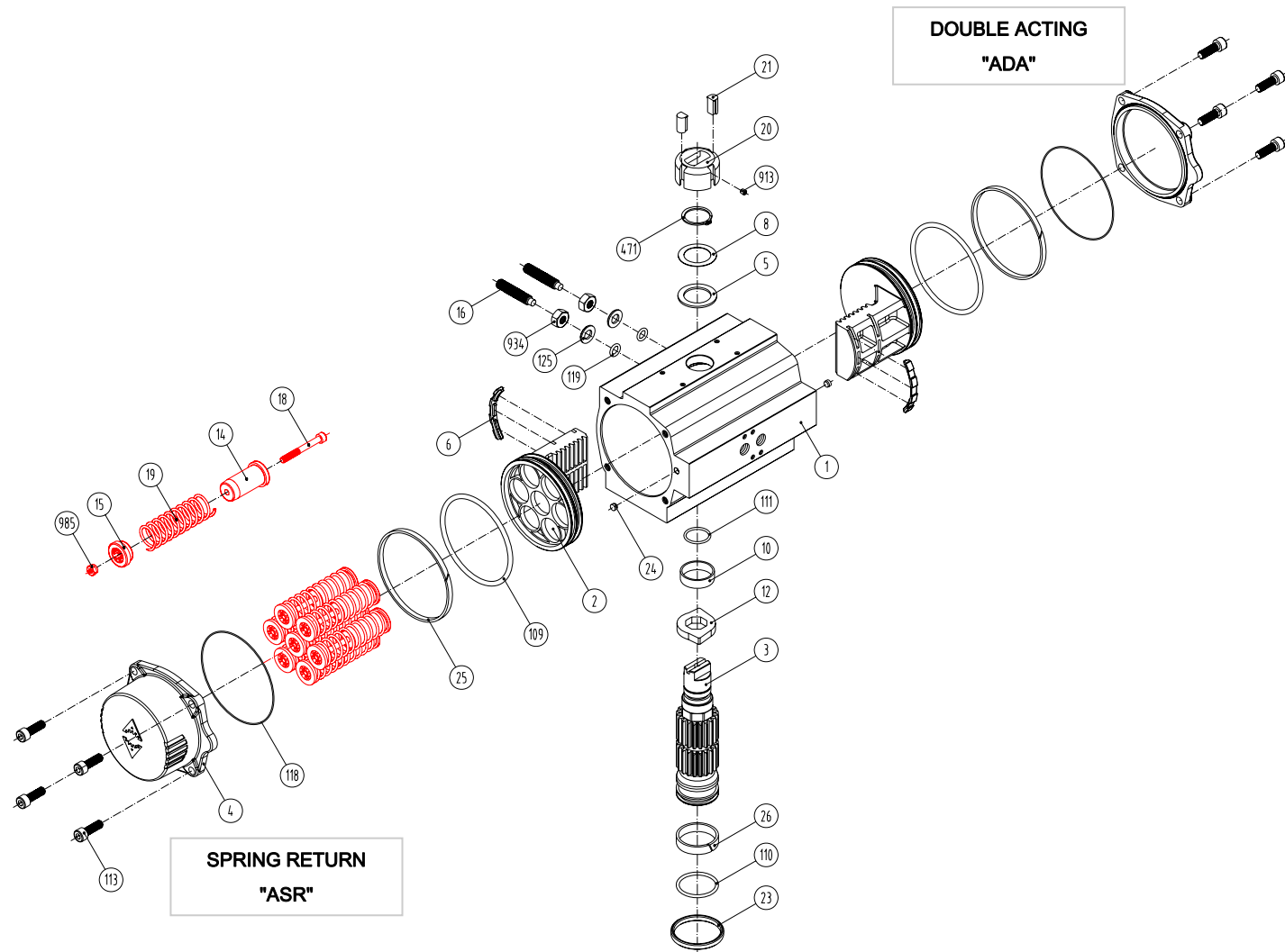
**DOUBLE ACTING**  
**"ADA"**

Manufacturing program:

 II 2 G D C - LCIE 05 AR 022

Quality & Environmental Management:

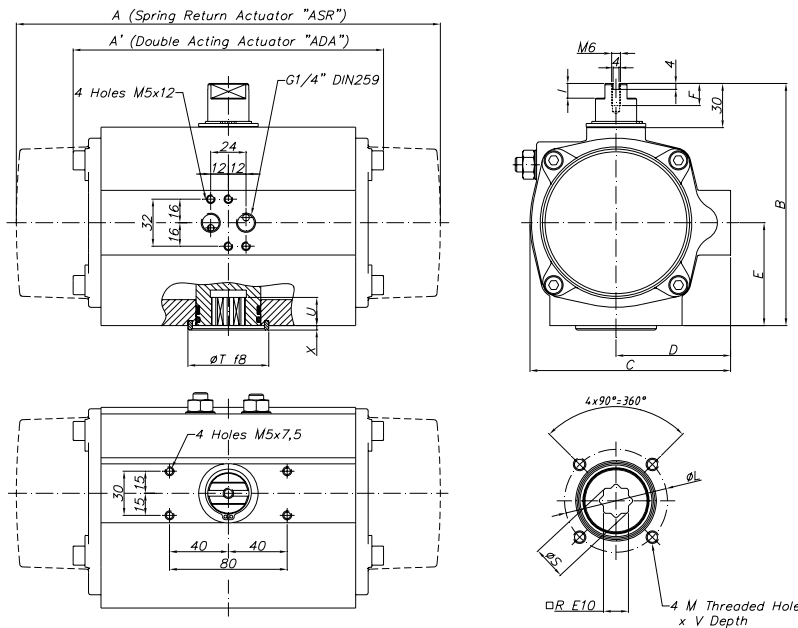




Item	Description	Material	Item	Description	Material
1	Body	Aluminium Hard Anodized	23	Centering Ring	Nickel Plated Carbon Steel
2	Piston	Aluminium	24	Plug air stop	NBR
3	Pinion	Nickel Plated Carbon Steel	25	Slide Guide	Polyamide PA 6.6 + 30% G.F.
4	End Caps	Aluminium Epoxy Coated	26	Lower Pinion Bearing	Hostalen RCH 1000
5	Soft Pinion Washer	Polyamide PA 6.6	109	O-Ring	NBR
6	Slide piston	Polyamide PA 6.6 + 30% G.F.	110	O-Ring	NBR
8	Pinion Washer	Stainless Steel	111	O-Ring	NBR
10	Upper Pinion Bearing	Hostalen RCH 1000	113	Bolt	Stainless Steel
12	Stop	ASTMA 105	118	O-Ring	NBR
14	(*) Spring's Long Support	Polyamide PA 6.6	119	O-Ring	NBR
15	(*) Spring's Short Support	Polyamide PA 6.6	125	Washer	Stainless Steel
16	Leveling Screw	Stainless Steel	913	Set Screw	Stainless Steel
18	(*) Bolt	Stainless Steel	471	External Circlip	Stainless Steel
19	(*) Spring	DIN 2076 -D-5.6	934	Nut	Stainless Steel
20	Position Indicator	Polyamide	985	(*) Nut	Stainless Steel
21	Cam	Polyamide			

(\*) Only for serie **ASR**

### Dimensions



A	A'	B	C	D	E	F	I	R	ØS	ISO	ØL	M x V	ØT	X	U
163	145	96	76	48	34	9	6	11	14,7	F04	42	M5x10	30	3	17

(\*) Dimensions in mm

GENERAL CHARACTERISTICS	Serie ADA Serie ASR	Actuator Actuator	Double Spring	Acting Return
<b>DESIGN STANDARDS</b>				
Mounting of solenoid valves	NAMUR Std.			
Mounting of devices	NAMUR VDI		NAMUR VDE 3845 Std.	
Coupling according	ISO 5211		DIN 3337	
Marking	Ex II 2 G D c LCIE 05 AR 022			
<b>TESTS AND CERTIFICATES</b>				
Quality Assurance	ISO 9001			

Max. Pressure	Rotation	Screw stroke Adjustment	Chamber Ø (mm)	Air Volume (L)		Stroke Time (Sec. (A))		Operating Temperature (°C)		
				Opening	Closing	Opening	Closing	STD (standard)	HT (high temp.)	LT (low temp.)
						D 0,04	D 0,09	NBR "O" Ring	FPM "O" Ring	Silicone "O" Ring
8 bar	90° ±5°	For 1° Need 1/3 Turn	45	0,13	0,09	S 0,12	S 0,18	-30° to +100°	-15° to +150°	-40° to +80°

### Double Acting Actuator "ADA" Torque Output in Nm

TYPE	Output Torque For Double Acting in Nm										Weight (Kg)										
	3 bar		3,5 bar		4 bar		4,5 bar		5 bar			5,5 bar		6 bar (A)		6,5 bar		7 bar		8 bar	
	0°	90°	0°	90°	0°	90°	0°	90°	0°	90°		0°	90°	0°	90°	0°	90°	0°	90°	0°	90°
D	9,7		11,4		13		14,6		16,2		17,8		19,5		21,1		23		26		1,4

### Spring Return Actuator "ASR" Torque Output in Nm

TYPE	Output Torque For Spring Return in Nm																Spring stroke		Weight (Kg)				
	3 bar		3,5 bar		4 bar		4,5 bar		5 bar		5,5 bar		6 bar (A)		6,5 bar		7 bar			8 bar			
	0°	90°	0°	90°	0°	90°	0°	90°	0°	90°	0°	90°	0°	90°	0°	90°	0°	90°		0°	90°	END	STAR
S04			8	5	9	7	11	8	13	10	14	12	16	13	17	15	19	17	22	20	4	7	1,51
S06 (A)									11	7	12	9	14	10	15	12	17	13	20	17	7	11	1,54
S08											10	5	12	7	14	9	15	10	18	14	9	15	1,56

(A) Standard construction