



PNEUMATIC ACTUATORS

ACT-40



SPRING RETURN
"ASR"



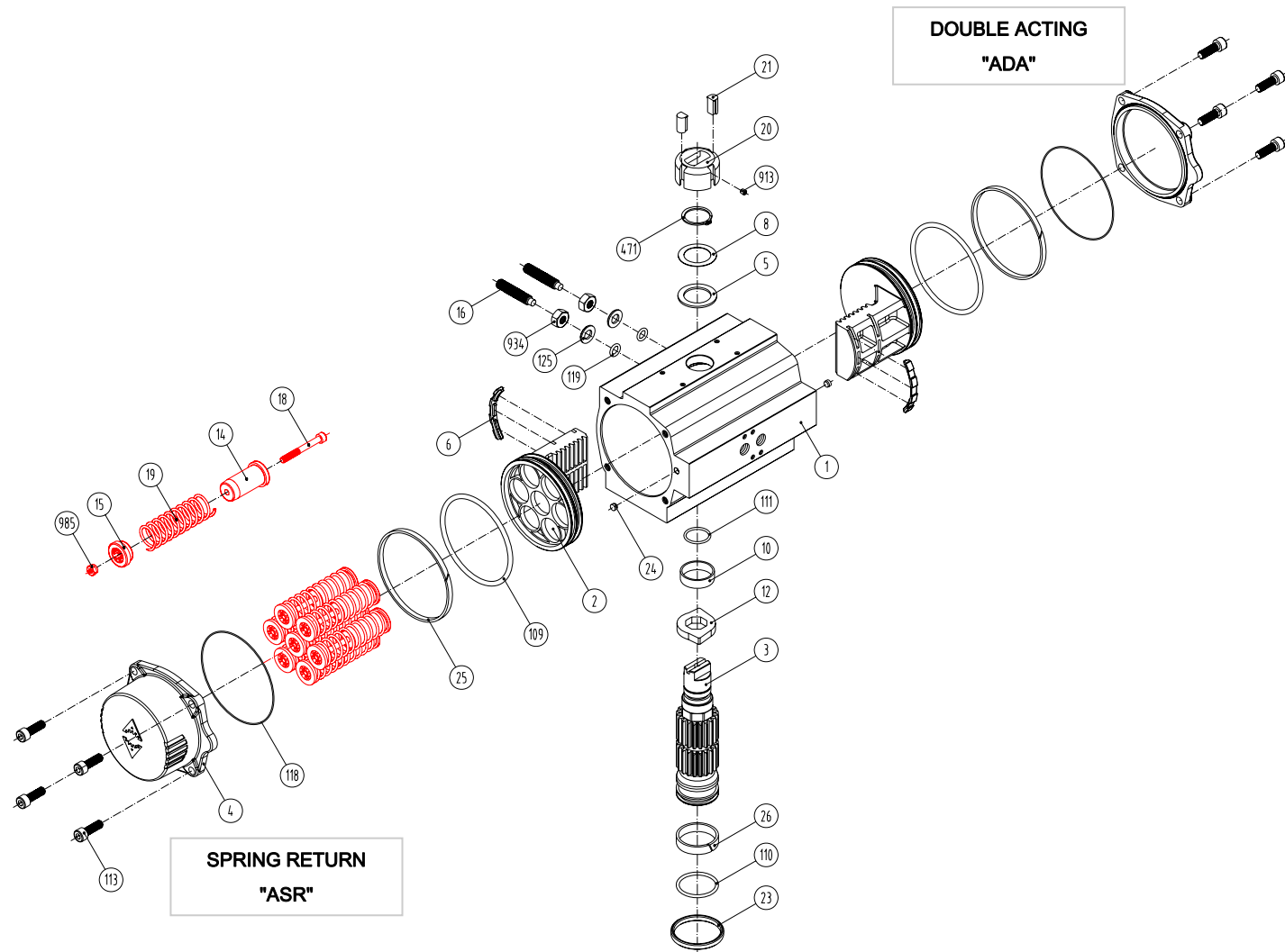
DOUBLE ACTING
"ADA"

Manufacturing program:

Ex II 2 G D c - LCIE 05 AR 022

Quality & Environmental Management:





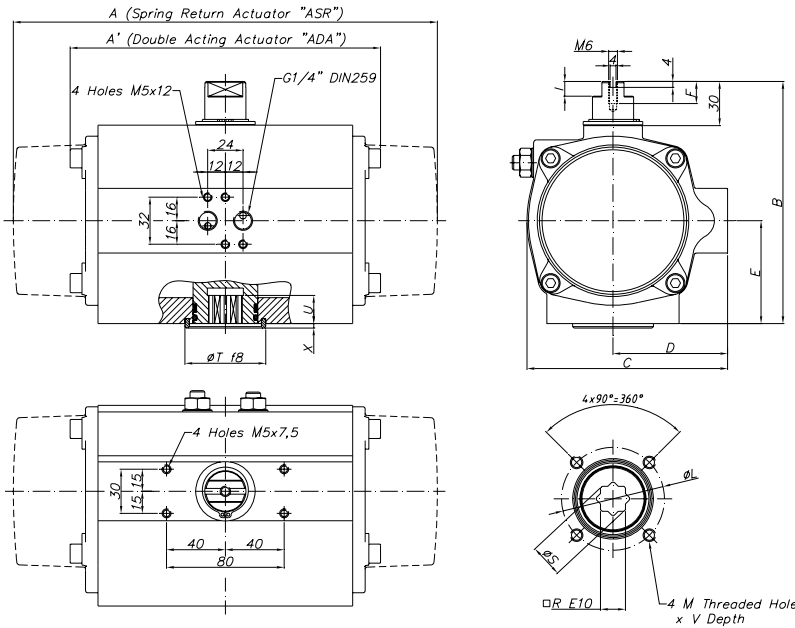
**DOUBLE ACTING
"ADA"**

**SPRING RETURN
"ASR"**

| Item | Description | Material | Item | Description | Material |
|------|----------------------------|-----------------------------|------|----------------------|-----------------------------|
| 1 | Body | Aluminium Hard Anodized | 23 | Centering Ring | Nickel Plated Carbon Steel |
| 2 | Piston | Aluminium | 24 | Plug air stop | NBR |
| 3 | Pinion | Nickel Plated Carbon Steel | 25 | Slide Guide | Polyamide PA 6.6 + 30% G.F. |
| 4 | End Caps | Aluminium Epoxy Coated | 26 | Lower Pinion Bearing | Hostalen RCH 1000 |
| 5 | Soft Pinion Washer | Polyamide PA 6.6 | 109 | O-Ring | NBR |
| 6 | Slide piston | Polyamide PA 6.6 + 30% G.F. | 110 | O-Ring | NBR |
| 8 | Pinion Washer | Stainless Steel | 111 | O-Ring | NBR |
| 10 | Upper Pinion Bearing | Hostalen RCH 1000 | 113 | Bolt | Stainless Steel |
| 12 | Stop | ASTM A 105 | 118 | O-Ring | NBR |
| 14 | (*) Spring's Long Support | Polyamide PA 6.6 | 119 | O-Ring | NBR |
| 15 | (*) Spring's Short Support | Polyamide PA 6.6 | 125 | Washer | Stainless Steel |
| 16 | Leveling Screw | Stainless Steel | 913 | Set Screw | Stainless Steel |
| 18 | (*) Bolt | Stainless Steel | 471 | External Circlip | Stainless Steel |
| 19 | (*) Spring | DIN 2076 -D-5.6 | 934 | Nut | Stainless Steel |
| 20 | Position Indicator | Polyamide | 985 | (*) Nut | Stainless Steel |
| 21 | Cam | Polyamide | | | |

(*) Only for serie **ASR**

Dimensions



| A | A' | B | C | D | E | F | I | R | ØS | ISO | ØL | M x V | ØT | X | U |
|-----|-----|-----|----|----|----|---|---|----|------|-----|----|-------|----|---|----|
| 195 | 158 | 115 | 91 | 56 | 45 | 9 | 6 | 11 | 14,7 | F04 | 42 | M5x10 | 30 | 3 | 17 |

(*) Dimensions in mm

| GENERAL CHARACTERISTICS | Serie ADA Serie ASR | Actuator Actuator | Double Spring | Acting Return |
|-------------------------------|--------------------------------------|------------------------------------|--------------------------------|--------------------------------|
| DESIGN STANDARDS | | | | |
| Mounting of solenoid valves | NAMUR Std. | | | |
| Mounting of devices | NAMUR VDI | | NAMUR VDE 3845 Std. | |
| Coupling according | ISO 5211 | | DIN 3337 | |
| Marking | ⊕ II 2 G D c LCIE 05 AR 022 | | | |
| TESTS AND CERTIFICATES | | | | |
| Quality Assurance | ISO 9001 | | | |

| Max. Pressure | Rotation | Screw stroke Adjustment | Chamber Ø (mm) | Air Volume (L) | | Stroke Time (Sec. (A)) | | Operating Temperature (°C) | | |
|---------------|----------|-------------------------|----------------|----------------|---------|------------------------|---------|----------------------------|-----------------|-------------------|
| | | | | Opening | Closing | Opening | Closing | STD (standard) | HT (high temp.) | LT (low temp.) |
| 8 bar | 90° ±5° | For 1° Need 1/3 Turn | 60,2 | 0,27 | 0,23 | D 0,08 | D 0,08 | NBR "O" Ring | FPM "O" Ring | Silicone "O" Ring |
| | | | | | | S 0,20 | S 0,29 | -30° to +100° | -15° to +150° | -40° to +80° |

Double Acting Actuator "ADA" Torque Output in Nm

| TYPE | Output Torque For Double Acting in Nm | | | | | | | | | | Weight (Kg) | | | | | | | | | | |
|------|---------------------------------------|-----|---------|-----|-------|-----|---------|-----|-------|-----|-------------|---------|----|-----------|----|---------|----|-------|----|-------|-----|
| | 3 bar | | 3,5 bar | | 4 bar | | 4,5 bar | | 5 bar | | | 5,5 bar | | 6 bar (A) | | 6,5 bar | | 7 bar | | 8 bar | |
| D | 0° | 90° | 0° | 90° | 0° | 90° | 0° | 90° | 0° | 90° | 0° | 90° | 0° | 90° | 0° | 90° | 0° | 90° | 0° | 90° | 2,1 |
| | 20,3 | | 23,7 | | 27,1 | | 30,5 | | 33,9 | | 37,3 | | 41 | | 44 | | 47 | | 54 | | |

Spring Return Actuator "ASR" Torque Output in Nm

| TYPE | Output Torque For Spring Return in Nm | | | | | | | | | | | | | | | | Spring stroke | | Weight (Kg) | | | | |
|---------|---------------------------------------|----|---------|----|-------|----|---------|----|-------|----|---------|----|-----------|----|---------|----|---------------|----|-------------|-------|----|-----|------|
| | 3 bar | | 3,5 bar | | 4 bar | | 4,5 bar | | 5 bar | | 5,5 bar | | 6 bar (A) | | 6,5 bar | | 7 bar | | | 8 bar | | END | STAR |
| S04 | 16 | 14 | 20 | 17 | 23 | 20 | 26 | 24 | 30 | 27 | 33 | 30 | 37 | 34 | 40 | 37 | 43 | 41 | 50 | 47 | 5 | 8 | 2,17 |
| S06 | 14 | 10 | 18 | 14 | 21 | 17 | 24 | 20 | 28 | 24 | 31 | 27 | 34 | 30 | 38 | 34 | 41 | 37 | 48 | 44 | 7 | 12 | 2,20 |
| S08 | | | 15 | 10 | 19 | 14 | 22 | 17 | 26 | 20 | 29 | 24 | 32 | 27 | 36 | 30 | 39 | 34 | 46 | 41 | 10 | 16 | 2,23 |
| S10 | | | | | | | 20 | 14 | 24 | 17 | 27 | 20 | 30 | 24 | 34 | 27 | 37 | 30 | 44 | 37 | 12 | 20 | 2,26 |
| S12 | | | | | | | | | 21 | 13 | 25 | 17 | 28 | 20 | 32 | 24 | 35 | 27 | 42 | 34 | 15 | 24 | 2,29 |
| S14 (A) | | | | | | | | | | | 23 | 13 | 26 | 17 | 30 | 20 | 33 | 24 | 40 | 30 | 17 | 28 | 2,32 |

(A) Standard construction