



# PHENOL CASE PRESSURE GAUGE (4 1/2") SOLID FRONT



## SPECIAL FEATURES

- PHENOLIC CASE WITH SS MEASURING SYSTEM
- WETTED PARTS AISI 316L STAINLESS STEEL
- ACCURACY AS PER ANSI B40.1 GRADE 2A UP TO 0.5%
- SOLID FRONT DESIGN FEATURES BAFFLE WALL INTERPOSED BETWEEN THE SENSING SYSTEM, THE WINDOW AND A PRESSURE RELIEVING BACK FOR INCREASED SAFETY
- STANDARD FOLLOWED ANSI/ASME - B 40.1 IN GENERAL

## APPLICATIONS

USED IN CHEMICALS / REFINERY / FERTILIZER / PETROCHEMICALS / PHARMACEUTICAL / POWER / CEMENT / OIL / SUGAR / FOOD & BEVERAGES / PULP & PAPER & ALLIED PROCESS INDUSTRIES. FOR FLUID & GASEOUS MEDIA WHICH ARE NOT HIGHLY VISCOUS.

## SPECIFICATIONS

### STANDARD VERSION : 125 mm

Accuracy	: ± 0.5% As per ANSI B40.1
Ambient temperature	: - 20°C to + 65°C
Process temperature	: Max 150°C
Operating pressure	: 75 % of the Scale Value
Over pressure limit	: 30 % for Pressure Ranges upto 600kg / cm <sup>2</sup> 15 % for Pressure Ranges above 600kg / cm <sup>2</sup>

Case	: Phenolic Resin
Ring	: Phenol Resin Screwed
Bourdon	: AISI 316L SS
Socket	: AISI 316L SS
Movement	: AISI 304 SS
Joints	: Tig Argon Arc Welding

Protection	: IP 55
Dial	: Aluminium, black graduation on white background
Pointer	: Aluminium, black Coloured, Micrometer Zero Adjustable
Window	: Safety Glass
Blow off Disc	: Phenol Resin
Gasket	: Neoprene

### GLYCERINE FILLED VERSION (OPTION PY)

Accuracy	: ± 1.0% of F.S.
Ambient Temperature	: Maximum 65°C
Process Temperature	: + 65°C
Blow off Disc	: Standard AISI 304 SS (Phenol Resin optional)
Dampening Liquids	: Glycerine 98% (Others available as Option)
Other Features	: Refer Specification of Standard Version

### DRY BUT FILLABLE VERSION

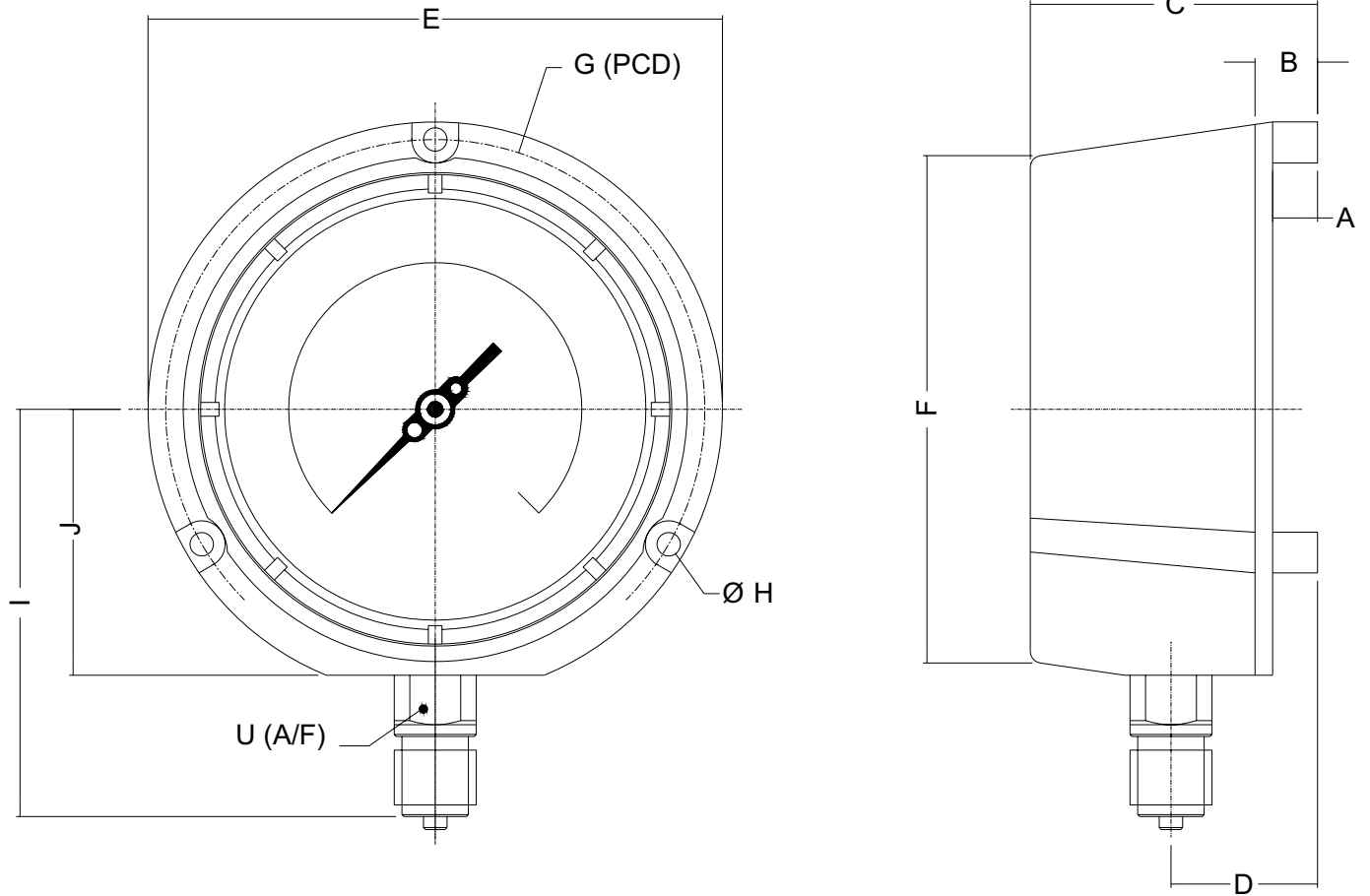
Option Code	: Fillable Dampening Liquid
FG	: Fillable Glycerine 98% (PY)
FS	: For Silicon Oil (QA)



# PHENOL CASE PRESSURE GAUGE (4 1/2") SOLID FRONT



**TYPE 2**



NS	A	B	C	D	E	F	G	H	I	J	U	WT
125	12	16	73	40	147	129	135	6	103	63	22	0.6 Kg

(\*WEIGHTS MENTIONED ARE FOR STANDARD VERSION.)

Notes : • Drawings are not to scale. • All Dimensions are in mm. • NS = Nominal Size  
• H - Arrangement for Mounting type 1



# PHENOL CASE PRESSURE GAUGE (4 1/2") SOLID FRONT



## RANGE TABLE

**Note :** Waaree offers National / International Scales like kPa, Mpa, bar, psi, kg/cm<sup>2</sup> & Dual Scale like kPa with psi, kPa with bar, bar with psi or Equivalent scales as per the requirement can be provided on request.

Following are the example tables for kg/cm<sup>2</sup> & psi scales

## PRESSURE RANGE

SINGLE SCALE					
RANGE (kg/cm <sup>2</sup> or bar)		RANGE	RANGE	RANGE	RANGE
0/0.6		0/4	0/25	0/160	0/1000
0/1		0/6	0/40	0/250	0/1600
0/1.6		0/10	0/60	0/400	
0/2.5		0/16	0/100	0/600	
DUAL SCALE ( PSI with kg/cm <sup>2</sup> ) or PSI with bar					
RANGE (PSI)	RANGE (kg/cm <sup>2</sup> )	RANGE (PSI)	RANGE (kg/cm <sup>2</sup> )	RANGE (PSI)	RANGE (kg/cm <sup>2</sup> )
0/15	1	0/400	28	0/4000	280
0/30	2	0/500	35	0/5000	350
0/60	4	0/600	42	0/6000	420
0/100	7	0/1000	70	0/10000	700
0/150	10	0/1500	105	0/15000	1000
0/200	14	0/2000	140	0/20000	1400
0/300	21	0/3000	210		

## VACUUM & COMPOUND RANGE

DUAL SCALE					
Range	Range	Range	Range	Range	Range
inHg with PSI	mmHg with kg/cm <sup>2</sup>	inHg with PSI	mmHg with kg/cm <sup>2</sup>	inHg with PSI	mmHg with kg/cm <sup>2</sup>
- 30/0	- 760 / 0	- 30/60	- 760 / 4	- 30/200	- 760 / 14
- 30/15	- 760 / 1	- 30/100	- 760 / 7	- 30/300	- 760 / 21
- 30/30	- 760 / 2	- 30/150	- 760 / 10		
SINGLE SCALE (kg/cm <sup>2</sup> )					
RANGE	RANGE	RANGE	RANGE	RANGE	RANGE
- 1/0	- 1/1.5	- 1/5	- 1/15	- 1/15	- 1/15
- 1/0.6	- 1/3	- 1/9	- 1/24	- 1/24	- 1/24

## ACCESSORIES

EA	ANTI VIBRATION SPRING	EE	MANIFOLD	Dx	DIAPHRAGM SEAL
EB	COOLING TOWER	EF	NEEDLE VALVE		
EC	GAUGE COCK	EG	SNUBBER		
ED	GAUGE SAVER	EH	SYPHON		

## DAMPENING LIQUIDS

DAMPENING LIQUIDS	OPTION CODE	AMBIENT TEMPERATURE LIMIT	PROCESS TEMPERATURE LIMIT
Glycerine 98%	PY	+ 15 / + 65°C	+ 20 / + 65°C
Fluorolube	PX	- 45 / + 65°C	- 45 / + 70°C
Mineral Oil	PZ	- 60 / + 65°C	- 40 / + 140°C
Silicon Oil	QA	- 40 / + 65°C	- 40 / + 170°C



# PHENOL CASE PRESSURE GAUGE (4 1/2") SOLID FRONT



## HOW TO ORDER

### BASIC MODEL

	<b>AH</b>							
<b>NOMINAL SIZE</b>		<b>G</b>						
G 125mm								
<b>TYPE OF MOUNTING</b>				<b>2</b>				
1 WALL / SURFACE / PROJECTION MOUNTING WITH BOTTOM ENTRY								
2 DIRECT BOTTOM ENTRY								
<b>GAUGE CONNECTION</b>					<b>4NM</b>			
3BM 3/8" BSP (M)								
4BM 1/2" BSP (M)								
4NM 1/2" NPT (M) STANDARD								
ADAPTORS CAN BE PROVIDED FOR NON STD. FLARED & FEMALE CONNECTIONS								
<b>RANGE</b>							<b>0-10 kg/cm<sup>2</sup></b>	
REFER TABLES								
<b>OPTIONS</b>								<b>PY</b>
<b>OB</b> ACCURACY 1.0% OF F.S.								
<b>TI</b> MONEL BOURDON & MONEL SOCKET(MONEL VERSION)								
<b>PW</b> FIVE POINT FACTORY CALIBRATION CERTIFICATE								
<b>RH</b> CUSTOM DESIGNED DIAL								
<b>RW</b> PLEXI GLASS								
<b>SG</b> OXYGEN SERVICE (WITHOUT DAMPENING LIQUIDS)								
<b>SI</b> KNIFE EDGE POINTER								
<b>SW</b> DIAL TAG MARKING								
<b>SX</b> SS TAG PLATE								
<b>TB</b> HELIUM LEAK TEST								
<b>RZ</b> TOUGHENED GLASS								
<b>OB</b> SHATTERPROOF GLASS								
<b>TF</b> TESTED TO NACE STANDARDS								
<b>FS</b> FILLABLE VERSION WITH LIQUID SILICON OIL*								
<b>FG</b> FILLABLE VERSION WITH LIQUID GLYCERINE								
<b>SF</b> DAMPENING MOVEMENT								
<b>QB</b> DAMPENING SCREW IN AISI 316 SS								
<b>PZ</b> DAMPENING LIQUID MINERAL LIQUID FILLED								
<b>PX</b> DAMPENING LIQUID FLOUROLUBE FILLED								
<b>PY</b> DAMPENING LIQUID GLYCERINE FILLED								
<b>QA</b> DAMPENING LIQUID SILICON OIL FILLED*								

\* GASKET, BOD & PLUG OF VITON

**Note:** Due to continuous changes the specification may vary from time to time