



ALL SS PRESSURE GAUGE

SOLID FRONT



SPECIAL FEATURES



- STAINLESS STEEL CASE & MEASURING SYSTEM
- SOLID FRONT DESIGN FEATURES BAFFLE WALL INTERPOSED BETWEEN THE SENSING SYSTEM & THE WINDOW, AND A PRESSURE RELIEVING BACK FOR INCREASED SAFETY.
- SOCKET & CASE WELDED
- DRY OR LIQUID FILLED.
- ACCURACY UPTO 0.5%
- STAINLESS STEEL BLOW OFF BACK
- STANDARD FOLLOWED IN GENERAL EN - 837 - 1/ IS3624

APPLICATIONS

OIL & GAS CHEMICALS / REFINERY / FERTILIZER / PETROCHEMICALS / PHARMACEUTICAL / POWER / CEMENT / SUGAR / FOOD & BEVERAGES / PULP & PAPER & ALLIED PROCESS INDUSTRIES. FOR FLUID & GASEOUS MEDIA.

SPECIFICATIONS

STANDARD VERSION : 100mm, 150mm

Accuracy	: ±1.0% of F.S.
Ambient temperature	: - 20°C to + 65°C
Process temperature	: Max 270°C
Operating pressure	: 75 % of the Scale Value
Over pressure limit	: 30 % for Pressure Ranges upto 600kg / cm ² 15 % for Pressure Ranges above 600kg / cm ²

Case	: AISI 304 SS
Ring	: AISI 304 SS, Bayonet Lock
Bourdon	: AISI 316L SS
Socket	: AISI 316L SS
Movement	: AISI 304 SS
Joints	: Tig Argon Arc Welding

Protection	: IP 55
Dial	: Aluminium, black graduation on white background
Pointer	: Aluminium, black Coloured Micrometer Zero Adjustable
Window	: Safety Glass
Blow off Disc	: AISI 304 SS
Gasket	: Neoprene

GLYCERINE FILLED VERSION (OPTION PY)

Accuracy	: ± 1.0% of F.S.
Ambient Temperature	: Maximum 65°C
Protection	: IP 65
Window	: Safety Glass
Dampening Liquids	: Glycerine 98% (Others available as Option)
Other Features	: Refer Specification of Standard Version

DRY BUT FILLABLE VERSION

Option Code	:	Fillable Dampening Liquid
FG	:	Fillable Glycerine 98% (PY)
FS	:	For Silicon Oil (QA)

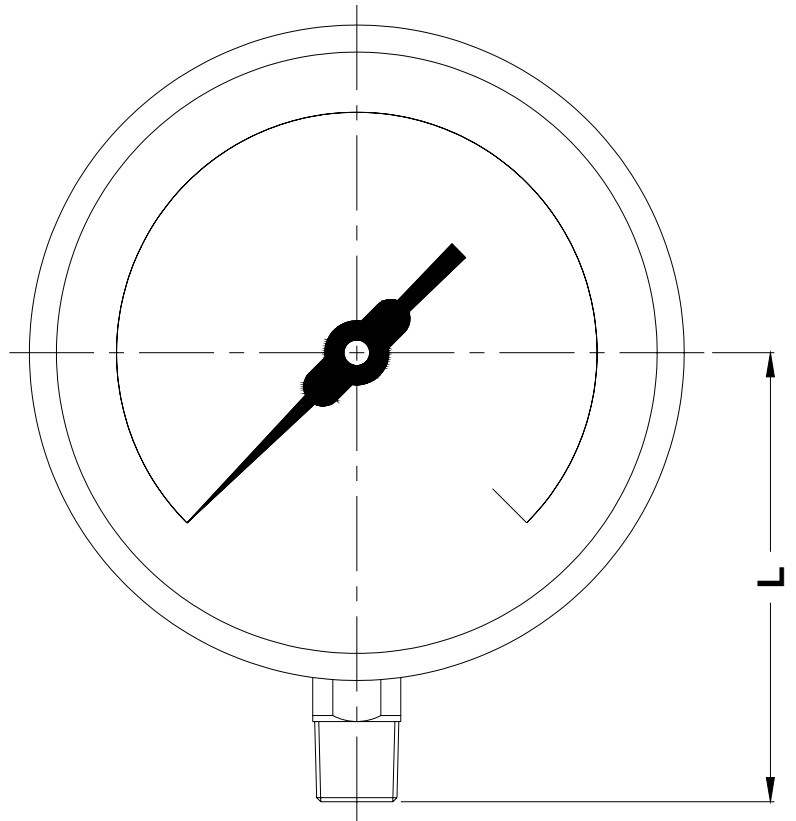
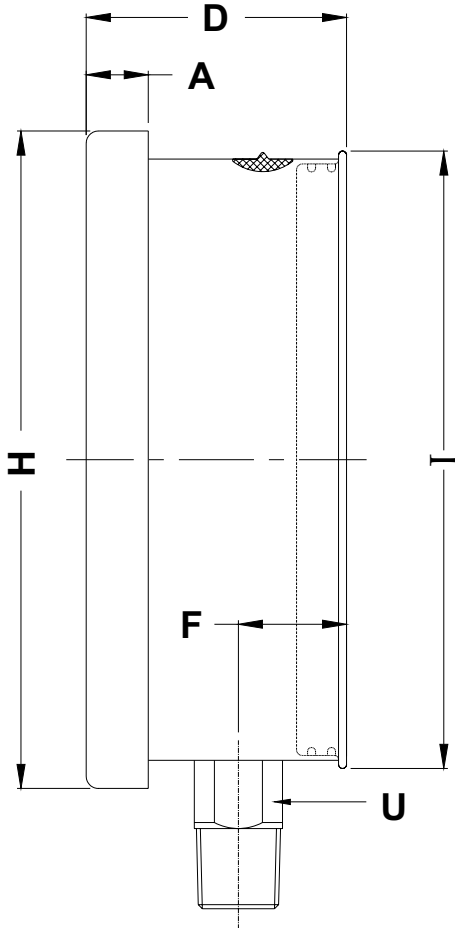


ALL SS PRESSURE GAUGE

SOLID FRONT



TYPE - 2



NS	A	D	F	H	I	L	U	Wt in Kg.
100	11.5	59	26	111.5	100	86	22SQ	0.6
150	16.5	66	33	164	151	112	22SQ	1.0

(*WEIGHTS MENTIONED ARE FOR STANDARD VERSION.)

Notes : • Drawings are not to scale. • All Dimensions are in mm. • NS = Nominal Size.



ALL SS PRESSURE GAUGE SOLID FRONT



RANGE TABLE

Note : Waaree offers National / International Scales like kPa,Mpa,bar,psi,kg/cm² & Dual Scale like kPa with psi, kPa with bar, bar with psi or Equivalent scales as per the requirement can be provided on request.

Following are the example tables for kg/cm² & psi scales

PRESSURE RANGE

SINGLE SCALE					
RANGE (kg/cm ² or bar)	RANGE	RANGE	RANGE	RANGE	RANGE
0/0.6	0/4	0/25	0/160	0/1000	
0/1	0/6	0/40	0/250	0/1600	
0/1.6	0/10	0/60	0/400		
0/2.5	0/16	0/100	0/600		
DUAL SCALE (PSI with kg/cm ² or PSI with bar)					
RANGE (PSI)	RANGE (kg/cm ²)	RANGE (PSI)	RANGE (kg/cm ²)	RANGE (PSI)	RANGE (kg/cm ²)
0/15	1	0/300	21	0/3000	200
0/30	2	0/400	28	0/4000	280
0/60	4	0/500	35	0/5000	350
0/100	7	0/600	42	0/6000	420
0/150	10	0/1000	70	0/10000	700
0/200	14	0/1500	100	0/15000	1000
		0/2000	140	0/20000	1400

VACUUM & COMPOUND RANGE

DUAL SCALE					
Range	Range	Range	Range	Range	Range
inHg with PSI	mmHg with kg/cm ²	inHg with PSI	mmHg with kg/cm ²	inHg with PSI	mmHg with kg/cm ²
- 30/0	- 760 / 0	- 30/60	- 760 / 4	- 30/200	- 760 / 14
- 30/15	- 760 / 1	- 30/100	- 760 / 7	- 30/300	- 760 / 21
- 30/30	- 760 / 2	- 30/150	- 760 / 10		
SINGLE SCALE (kg/cm ²)					
RANGE	RANGE	RANGE	RANGE	RANGE	RANGE
- 1/0	- 1/1.5	- 1/5	- 1/15		
- 1/0.6	- 1/3	- 1/9	- 1/24		

ACCESSORIES

EA	ANTI VIBRATION SPRING	EE	MANIFOLD	Dx	DIAPHRAGM SEAL
EB	COOLING TOWER	EF	NEEDLE VALVE		
EC	GAUGE COCK	EG	SNUBBER		
ED	GAUGE SAVER	EH	SYPHON		

DAMPENING LIQUIDS (OPTIONS)

DAMPENING LIQUIDS	OPTION CODE	AMBIENT TEMPERATURE LIMIT	PROCESS TEMPERATURE LIMIT
Glycerine 98%	PY	+ 15 / + 65°C	+ 20 / + 65°C
Fluorolube	PX	- 45 / + 65°C	- 45 / + 70°C
Mineral Oil	PZ	- 60 / + 65°C	- 40 / + 140°C
Silicon Oil	QA	- 40 / + 65°C	- 40 / + 170°C



ALL SS PRESSURE GAUGE SOLID FRONT

HOW TO ORDER

BASIC MODEL



NOMINAL SIZE

F 100mm H 150mm

TYPE OF MOUNTING

2 DIRECT BOTTOM ENTRY

GAUGE CONNECTION

3BM 3/8" BSP (M)
4BM 1/2" BSP (M)
4NM 1/2" NPT (M)

ADAPTORS CAN BE PROVIDED FOR NON STD. FLARED & FEMALE CONNECTIONS

RANGE

REFER TABLES

OPTIONS

- | | |
|--|--|
| QA ACCURACY 0.5% OF F.S.
(WITHOUT OPTION DAMPENING LIQUID) | TB HELIUM LEAK TEST |
| TI MONEL BOURDON & SOCKET (MONEL VERSION) | TF TESTED TO NACE STANDARDS |
| PS AISI 316 SS CASE & RING | FS FILLABLE LIQUID SILICON OIL* |
| PW FIVE POINT FACTORY CALIBRATION CERTIFICATE | FG FILLABLE LIQUID GLYCERINE |
| RH CUSTOM DESIGNED DIAL | QB DAMPENING SCREW IN AISI 316 SS |
| RZ TOUGHENED GLASS | PZ DAMPENING LIQUID MINERAL LIQUID FILLED |
| SG OXYGEN SERVICES (WITHOUT OPTION DAMPENING LIQUID) | PX DAMPENING LIQUID FLOUROLUBE FILLED |
| SI KNIFE EDGE POINTER | PY DAMPENING LIQUID GLYCERINE FILLED |
| SW DIAL TAG MARKING | QA DAMPENING LIQUID SILICON OIL FILLED* |
| SX SS TAG PLATE | SF DAMPENING MOVEMENT |

* GASKET, BOD & PLUG OF VITON

AI

H

2

4NM

0-10
Kg/cm²

PY