



STEEL CASE HIGH PRESSURE GAUGE DIAPHRAGM



SPECIAL FEATURES

- LOW COST VERSION
- SUITABLE FOR GASEOUS, HIGHLY VISCOSE & LIQUID MEDIA
- RANGES -1 TO 25 KG/CM²
- STANDARDS FOLLOWED IN GENERAL
EN - 837 - 3 / IS 3624

APPLICATIONS

AREAS OF LESS CHEMICAL EXPOSURE

SPECIFICATIONS

STANDARD VERSION : 100mm, 150mm

Accuracy	:	± 2% of F.S.
Ambient temperature	:	- 25°C to + 65°C
Process temperature	:	Max 120°C
Operating pressure	:	75 % of the Scale Value
Over pressure limit	:	130 % of Full Scale
Case	:	Steel (Painted)
Ring	:	Steel (Painted, Push Fit Type)
Top Chamber	:	Steel (Painted)
Bottom Chamber	:	AISI 316L SS
Movement	:	Brass
Diaphragm	:	Spring Steel with PTFE Protection
Dial	:	Aluminium, black graduation on white background
Pointer	:	Aluminium, black Coloured, Fixed
Window	:	Sheet Glass
Gasket	:	Neoprene

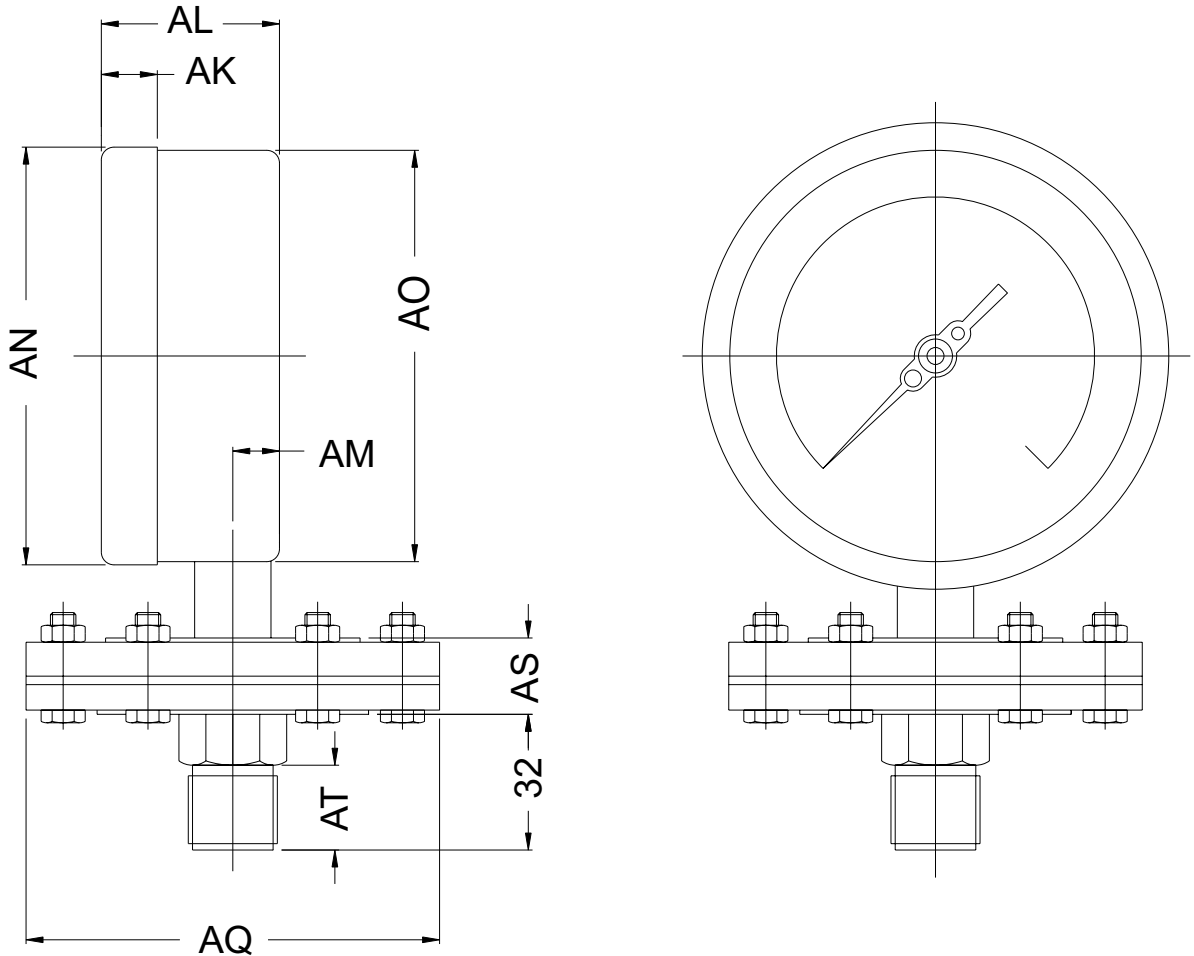


STEEL CASE HIGH PRESSURE GAUGE DIAPHRAGM

DIMENSIONS - STANDARD VERSION



TYPE - 2



NS	AK	AL	AM	AN	AO	AG	AH	AI	AT	Wt.
100	12	42	11	98.5	97	97.5	32	18	20	1.34 Kg
150	12	42	11	152.5	150	97.5	32	18	20	1.65 Kg

(*WEIGHTS MENTIONED ARE FOR STANDARD VERSION.)

Notes : • Drawings are not to scale. • All Dimensions are in mm. • NS = Nominal Size.



STEEL CASE HIGH PRESSURE GAUGE

DIAPHRAGM



RANGE TABLE

Note : Waaree offers National / International Scales like kPa,Mpa,bar,psi,kg/cm² & Dual Scale like kPa with psi, kPa with bar, bar with psi or Equivalent scales as per the requirement can be provided on request.

Following are the example tables for kg/cm² & psi scales

PRESSURE RANGE

DUAL SCALE (kg/cm ² With PSI)					
PSI	kg/cm ²	PSI	kg/cm ²	PSI	kg/cm ²
0/15	1	0/60	4.2	0/200	14
0/30	2.1	0/100	7	0/300	21
0/50	3.5	0/150	10		

VACUUM & COMPOUND RANGE

DUAL SCALE					
inHg with PSI	mmHg with kg/cm ²	inHg with PSI	mmHg with kg/cm ²	inHg with PSI	mmHg with kg/cm ²
- 30/0	- 760 / 0	- 30/60	- 760 / 4	- 30/200	- 760 /14
- 30/15	- 760 / 1	- 30/100	- 760 / 7	- 30/300	- 760 / 21
- 30/30	- 760 / 2	- 30/150	- 760 / 10		

HOW TO ORDER

BASIC MODEL

NOMINAL SIZE

F 100mm H 150mm

TYPE OF MOUNTING

2 DIRECT BOTTOM ENTRY

GAUGE CONNECTION

4BM 1/2" BSP (M)

ADAPTORS CAN BE PROVIDED FOR NON STD. FLARED & FEMALE CONNECTIONS

RANGE

REFER TABLES

OPTIONS

- PW FIVE POINT FACTORY CALIBRATION CERTIFICATE
- SW DIAL TAG MARKING
- SX SS TAG PLATE
- RH CUSTOM DESIGNED DIAL
- ZT SILVER PROTECTION ON DIAPHRAGM
- SK MICROMETER '0' ADJUSTMENT POINTER
- SL SLOTTED '0' ADJUSTMENT POINTER

FLANGED CONNECTION AS PER BS/ANSI/ STANDARD WITH OR WITHOUT TEFLON PROTECTION CAN BE PROVIDED ON REQUEST.

Note : Due to continuous changes the specification may vary from time to time

