



STEEL CASE LOW PRESSURE GAUGE DIAPHRAGM



SPECIAL FEATURES

- LOW COST VERSION
- SUITABLE FOR GASEOUS & NON CRYSTALLIZED LIQUID MEDIA
- RANGES FROM 25 mBAR TO 600 mbar

APPLICATIONS

POWER / CEMENT / SUGAR / FOOD & BEVERAGES / PULP & PAPER & ALLIED PROCESS INDUSTRIES.

SPECIFICATIONS

STANDARD VERSION : 100mm, 150mm

Accuracy	: ± 2 % of F.S.
Ambient temperature	: - 25°C to + 65°C
Process temperature	: Max 120°C
Operating pressure	: 75 % of the Scale Value
Over pressure limit	: 110 % of Full Scale

Case	: Steel (Painted)
Ring	: Steel (Painted, Push Fit)
Top Chamber	: Steel (Painted)
Bottom Chamber	: AISI 316 SS
Movement	: Brass
Diaphragm	: AISI 316 SS

Dial	: Aluminium, black graduation on white background
Pointer	: Aluminium, black Coloured, Fixed
Window	: Sheet Glass
Gasket	: Neoprene

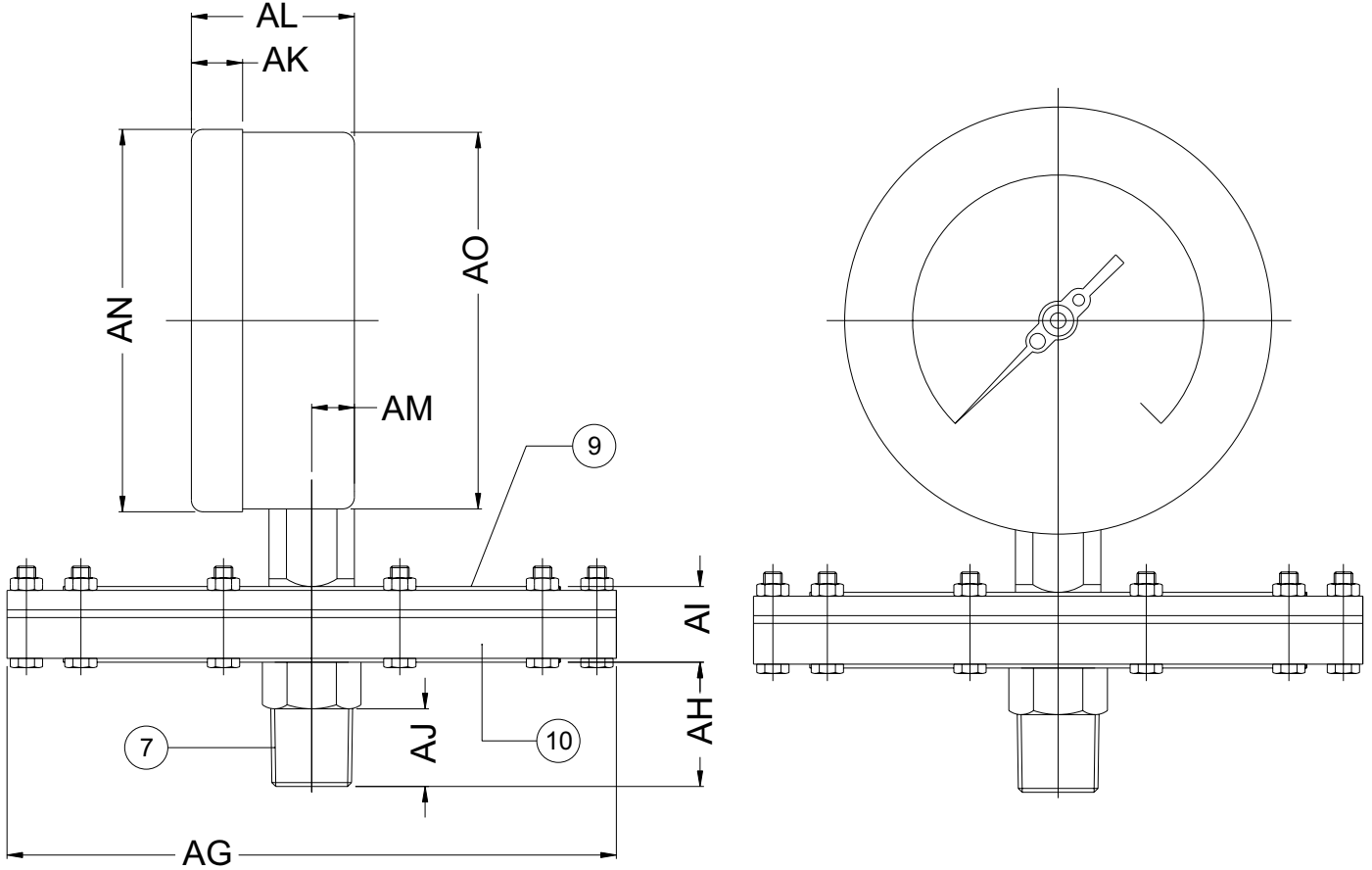


STEEL CASE LOW PRESSURE GAUGE DIAPHRAGM

DIMENSIONS - STANDARD VERSION



TYPE - 2



NS	AK	AL	AM	AN	AO	AG	AH	AI	AJ	Wt.
100	12	42	11	98.5	97	158	35	20	20	2.64 Kg
150	12	42	11	152.5	150	158	35	23	20	2.94 Kg

(*WEIGHTS MENTIONED ARE FOR STANDARD VERSION.)

Notes : • Drawings are not to scale. • All Dimensions are in mm. • NS = Nominal Size



STEEL CASE LOW PRESSURE GAUGE DIAPHRAGM



RANGE TABLE

Note : Waaree offers Pressure ranges, Vacuum ranges and Compound ranges in Scales like kPa, mmWC, MWC, inWC, mbar, PSI, mmHg, ETC

Following is the example table in mmWC

PRESSURE RANGE

SINGLE SCALE - mm WC				
Range	Range	Range	Range	Range
0/250	0/600	0/1600	0/2500	0/6000
0/400	0/1000	0/2000	0/4000	

HOW TO ORDER

BASIC MODEL

NOMINAL SIZE		AN						
F	100mm	H	150mm	F				
TYPE OF MOUNTING								
2	DIRECT BOTTOM ENTRY			2				
GAUGE CONNECTION								
4BM	1/2" BSP (M)							4BM
ADAPTORS CAN BE PROVIDED FOR NON STD. FLARED & FEMALE CONNECTIONS								
RANGE								
REFER TABLES								0-100 mbar
OPTIONS								
PW	FIVE POINT FACTORY CALIBRATION CERTIFICATE							
SW	DIAL TAG MARKING							
SX	SS TAG PLATE							SX
ZU	SILVER PROTECTION ON DIAPHRAGM							
SK	MICROMETER ADJUSTABLE POINTER							
QU	PTFE PROTECTION ON DIAPHRAGM							
SL	'O' ADJUSTABLE POINTER							

FLANGED CONNECTION AS PER BS/ANSI/ STANDARD WITH OR WITHOUT TEFLON PROTECTION CAN BE PROVIDED ON REQUEST. PLEASE REFER 'AP' DATASHEET

Note : Due to continuous changes the specification may vary from time to time