



# SS CASE HIGH PRESSURE GAUGE

## DIAPHRAGM



### SPECIAL FEATURES

- STAINLESS STEEL CASE
- SUITABLE FOR GASEOUS & LIQUID MEDIA
- RANGES FROM -1 TO 25 Kg/cm<sup>2</sup>
- STANDARDS FOLLOWED IN GENERAL  
EN 837 - 3 / IS 3624

### APPLICATIONS

CHEMICALS / REFINERY / FERTILIZER /  
PETROCHEMICALS / PHARMACEUTICAL / POWER /  
CEMENT / SUGAR / FOOD & BEVERAGES /  
PULP & PAPER & ALLIED PROCESS INDUSTRIES.

### SPECIFICATIONS

#### STANDARD VERSION : 100mm, 150mm

Accuracy	: ±1.6% of F.S.
Ambient temperature	: - 25°C to + 65°C
Process temperature	: Max 120°C
Operating pressure	: 75 % of the Range Value
Over pressure limit	: 130 % of Full Scale

Case	: AISI 304 SS
Ring	: AISI 304 SS Bayonet Type
Top Chamber	: AISI 304 SS
Bottom Chamber	: AISI 316 SS
Movement	: AISI 304 SS
Diaphragm	: Spring Steel with PTFE Protection

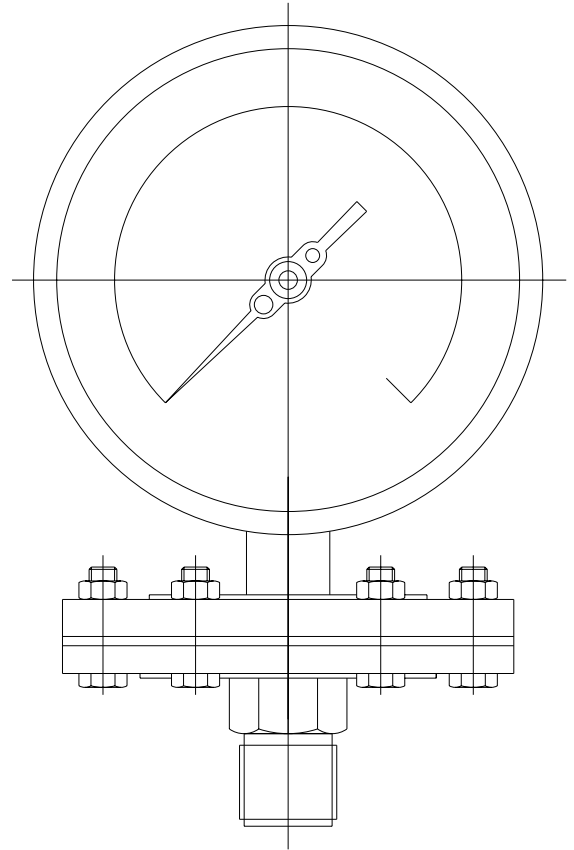
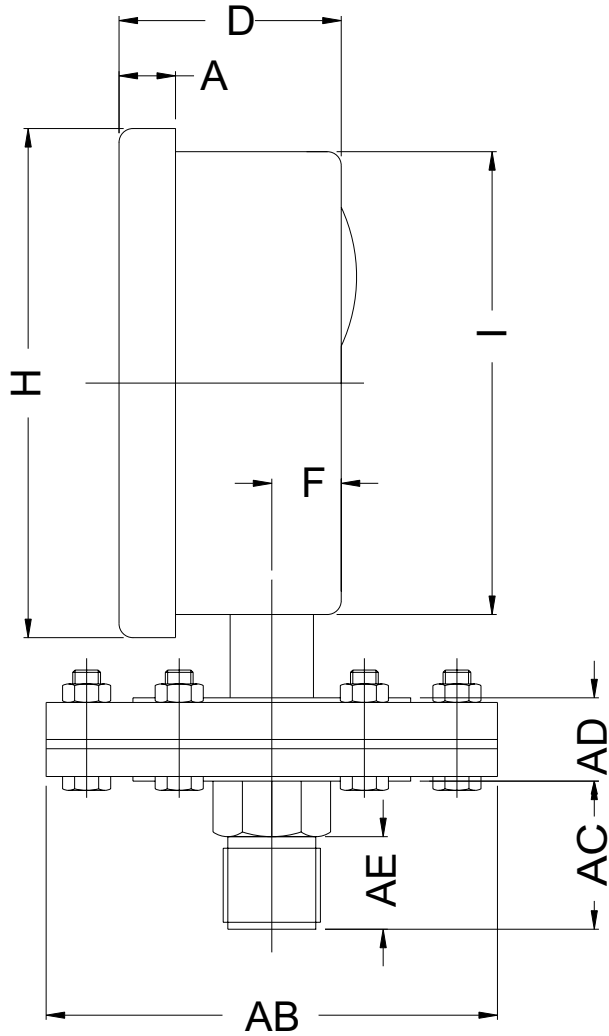
Protection	: IP 55
Dial	: Aluminium, black graduation on white background
Pointer	: Aluminium, black Coloured Micrometer Zero Adjustable
Window	: Sheet Glass
Blow Off Disc	: Neoprene
Gasket	: Neoprene



# SS CASE HIGH PRESSURE GAUGE DIAPHRAGM



TYPE - 2



NS	A	D	F	I	AB	AC	AD	AE	Wt.
100	12	48	16.5	100	98	35	18	18	1.34 Kg
150	16	48	16.5	150	98	35	18	18	1.70 Kg

(\*WEIGHTS MENTIONED ARE FOR STANDARD VERSION.)

Notes : • Drawings are not to scale. • All Dimensions are in mm. • NS = Nominal Size.



# SS CASE HIGH PRESSURE GAUGE DIAPHRAGM



## RANGE TABLE

**Note :** Waaree offers National / International Scales like kPa,Mpa,bar,psi,kg/cm<sup>2</sup> & Dual Scale like kPa with psi, kPa with bar, bar with psi or Equivalent scales as per the requirement can be provided on request.

Following are the example tables for kg/cm<sup>2</sup> & psi scales

## VACUUM & COMPOUND PRESSURE RANGE DUAL SCALE

SINGLE SCALE		DOUBLE SCALE			
kg/cm <sup>2</sup>	kg/cm <sup>2</sup>	kg/cm <sup>2</sup>	kg/cm <sup>2</sup>	kg/cm <sup>2</sup>	kg/cm <sup>2</sup>
Range	Range	Range	Range	Range	Range
0/1	0/6	-1+1		-1+9	
0/1.6	0/10	-1+3		-1+15	
0/2.5	0/16	-1+5		-1+24	
0/4	0/25				
DUAL SCALE					
Range	Range	Range	Range	Range	Range
inHg with PSI	mmHg with kg/cm <sup>2</sup>	inHg with PSI	mmHg with kg/cm <sup>2</sup>	inHg with PSI	mmHg with kg/cm <sup>2</sup>
- 30/0	- 760 / 0	- 30/60	- 760 / 4	- 30/200	- 760 / 14
- 30/15	- 760 / 1	- 30/100	- 760 / 7	- 30/300	- 760 / 21
- 30/30	- 760 / 2	- 30/150	- 760 / 10		
DUAL SCALE With kg/cm <sup>2</sup>					
RANGE ( PSI )	RANGE ( kg/cm <sup>2</sup> )	RANGE ( PSI )	RANGE ( kg/cm <sup>2</sup> )	RANGE ( PSI )	RANGE ( kg/cm <sup>2</sup> )
0/15	1	0/150	10		
0/30	2.1	0/200	14		
0/60	4.2	0/300	21		
0/100	7				

## ACCESSORIES

EC	GAUGE COCK	EG	SNUBBER
EF	NEEDLE VALVE	EH	SYPHON

**Note :** Other Scale are available on customer request Please specify



# SS CASE HIGH PRESSURE GAUGE

## DIAPHRAGM

### HOW TO ORDER

**AO**

#### BASIC MODEL

#### NOMINAL SIZE

F 100mm H 150mm

#### TYPE OF MOUNTING

2 DIRECT BOTTOM ENTRY

#### GAUGE CONNECTION

- 3NM 3/8" NPT (M)
- 4NM 1/2" NPT (M) STANDARD
- 3BM 3/8" BSP (M) STANDARD
- 4BM 1/2" BSP (M) STANDARD

ADAPTORS CAN BE PROVIDED FOR NON STD, FLARED & FEMALE CONNECTIONS

#### FLANGE CONNECTION

PLEASE SPECIFY FLANGE CONNECTION DETAILS.  
FLANGES AS PER BS/ASME, DIN & ANSI STANDARDS CAN BE PROVIDED.

#### RANGE

REFER TABLES

#### OPTIONS

- PW FIVE POINT FACTORY CALIBRATION CERTIFICATE
- RH CUSTOM DESIGNED DIAL
- RX SHATTERPROOF GLASS
- RZ TOUGHENED GLASS
- SW DIAL TAG MARKING
- SX SS TAG PLATE
- ZT SILVER PROTECTION ON DIAPHRAGM
- ZV MONEL PROTECTION ON DIAPHRAGM
- ZX HASTELLOY 'C' PROTECTION ON DIAPHRAGM
- QS PFA PROTECTION ON FLANGE (WETTED PORTION)
- SJ MAXIMUM READING POINTER (WITHOUT OPTION ELECTRICAL CONTACT & DAMPENING LIQUID)
- PS AISI 316 SS CASE
- YT PFA PROTECTION ON BOTTOM CHAMBER (SCREWED ENDS)

#### ELECTRIC CONTACTS (WITHOUT IP 55)

##### A) MAGNETIC SNAP ACTION TYPE (ABOVE 600 mBAR, 230 Vac 1A)

- RJ Single; NORMALLY CLOSED
- RK Double; NORMALLY CLOSED + NORMALLY OPEN
- RL Single; NORMALLY OPEN
- RM Double; NORMALLY OPEN + NORMALLY CLOSED
- RN Double; NORMALLY CLOSED
- RO Double; NORMALLY OPEN
- RP BOOSTER FOR CURRENT UPTO 5Amp

##### B) INDUCTIVE TYPE (ABOVE 40 mBAR, 220 Vac 4)

- YW Single NORMALLY OPEN
- YV Single NORMALLY CLOSED
- YX Double NORMALLY CLOSED + NORMALLY OPEN
- YY Double NORMALLY OPEN
- YZ Double NORMALLY CLOSED
- ZA Double NORMALLY OPEN + NORMALLY CLOSED

Note : Due to continuous changes the specification may vary from time to time