



# DIFFERENTIAL PRESSURE GAUGE

## DOUBLE DIAPHRAGM



### SPECIAL FEATURES

- CASE & MEASURING SYSTEM
- STATIC PRESSURE UPTO 400 Kg/cm<sup>2</sup>
- SINGLE SIDE STATIC PRESSURE SUSTAINABLE
- DRY OR LIQUID FILLED
- ACCURACY UPTO 1.6% F.S.

### APPLICATIONS

CHEMICALS / REFINERY / NUCLEAR / AEROSPACE / FERTILIZER / PETROCHEMICALS / PHARMACEUTICAL / POWER / CEMENT / SUGAR / FOOD & BEVERAGES / PULP / PAPER & ALLIED PROCESS INDUSTRIES.

### SPECIFICATIONS

#### STANDARD VERSION : 100mm, 150mm

Accuracy	: ±1.6% of F.S.
Ambient temperature	: - 25°C to + 65°C
Process temperature	: Max 100°C
Static pressure	: Upto 100 kg/cm <sup>2</sup> (Optional 200Kg/cm <sup>2</sup> /400Kg/cm <sup>2</sup> )

Case	: AISI 304 SS
Ring	: AISI 304 SS Bayonet Type
Diaphragm	: AISI 316L SS Double Diaphragm
Nuts & Bolts	: AISI 304 SS
Purging Port Plug	: 2 x 1/4" NPT(F) AISI 304 SS
Chamber	: AISI 304 Stainless Steel
Movement	: AISI 304 Stainless Steel With Internal Limits
	Stops for Min. & Max. Pressure

Protection	: IP 55
Dial	: Aluminium, black graduation on white background
Pointer	: Aluminium, black Coloured, Micrometer
	Zero Adjustable
Window	: Shatter proof Glass
Case Gasket	: Neoprene
Element Chamber Filling	: Silicon Oil (Others as Optional)
Diaphragm Sealing Gasket	: Viton
Scale Amplitude	: 180° to 270° (Depends on Range)

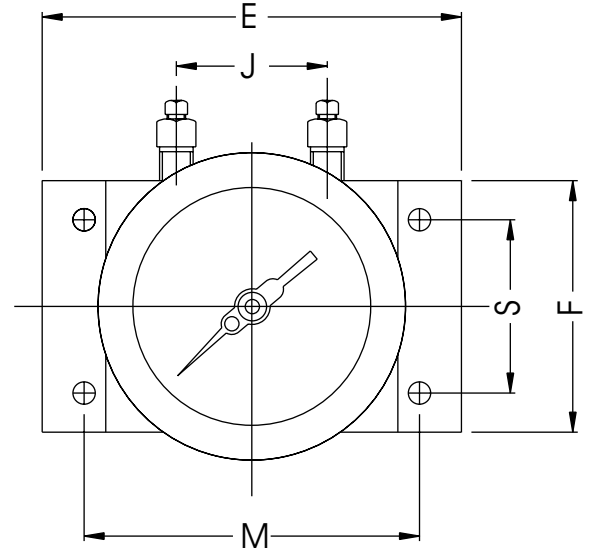
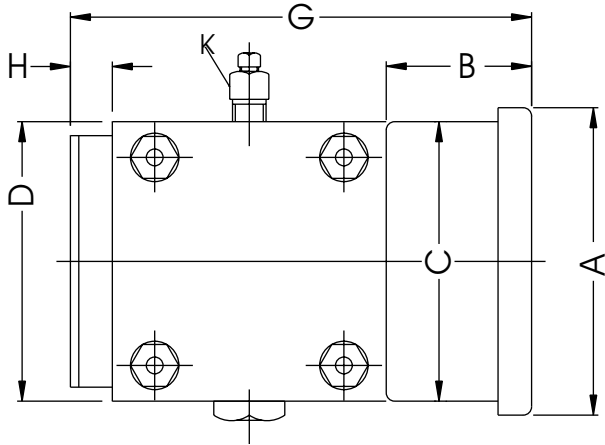


# DIFFERENTIAL PRESSURE GAUGE

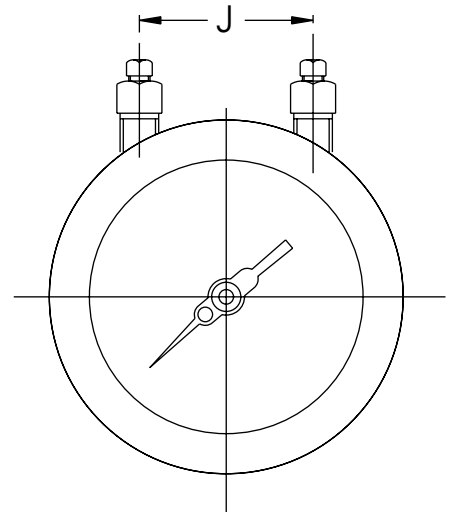
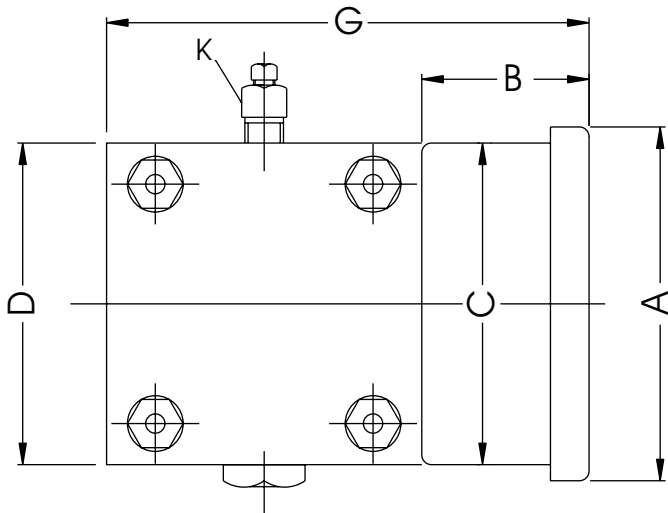
## DOUBLE DIAPHRAGM



TYPE 2



Surface mounting



Bottom entry

NS	A	~ B	C	D	E	F	G	H	K	J	M	S	Wt
100	110	49	100	100	150	71	167	15	HEX 14	56	120	60	6.0 Kg
150	165	49	149	100	150	71	167	15	HEX 14	56	120	60	6.5 Kg

(\*WEIGHTS MENTIONED ARE FOR STANDARD VERSION.)

Notes : • Drawings are not to scale. • All Dimensions are in mm. • NS = Nominal Size.



# DIFFERENTIAL PRESSURE GAUGE

## DOUBLE DIAPHRAGM

### RANGE TABLE

**Note :** Waaree offers National / International Scales like kPa, Mpa, bar, psi, kg/cm<sup>2</sup>, mbar, MWC, in.WC & Dual Scale like kPa with psi, kPa with bar, bar with psi or Equivalent scales as per the requirement can be provided on request.

Following are the example tables for kg/cm<sup>2</sup> & mmWC

### GAUGE PRESSURE RANGE

SINGLE SCALE						
mmWC	mmWC	mmWC	kg/cm <sup>2</sup>	kg/cm <sup>2</sup>	kg/cm <sup>2</sup>	kg/cm <sup>2</sup>
0/250	0/1600	0/4000	0/1	0/2.5	0/10	0/10
0/600	0/2500	0/6000	0/1.6	0/4	0/16	0/16
0/1000			0/2	0/6	0/25	0/25

Note : Other Scale are available on customer request.

### ACCESSORIES

EE	MANIFOLDS	Dx	DIAPHRAGM SEALS (WITH / WITHOUT CAPILLARY)
EF	NEEDLE VALVE		

## HOW TO ORDER

### BASIC MODEL

<b>NOMINAL SIZE</b> F 100mm      H 150mm		AQ	H	2	4NM	0 - 2 kg/cm <sup>2</sup>	PW
<b>TYPE OF MOUNTING</b> 1 SURFACE MOUNTING WITH BOTTOM ENTRY 2 DIRECT BOTTOM ENTRY 5 FLUSH PANEL BACK ENTRY WITH FRONT FLANGE 6 2" PIPE / YOKE MOUNTING BOTTOM ENTRY							
<b>GAUGE CONNECTION</b> 2 NF 1/4" NPT (F) X 2 NOS.      4BM 1/2" BSP (M) X 2 NOS. 3BM 3/8" BSP (M) X 2 NOS.      4NM 1/2" NPT (M) X 2 NOS.							
<b>RANGE</b> REFER TABLES							
<b>OPTIONS</b> PS AISI 316 SS CASE & RING PW FIVE POINT FACTORY CALIBRATION CERTIFICATE PY DAMPENING LIQUID GLYCERINE QA DAMPENING LIQUID SILICON OIL (GASKET NBR - VITON) RB DOUBLE DIAPHRAGM CHAMBER IN AISI SS 316 RD DOUBLE DIAPHRAGM CHAMBER IN MONEL (WITH MONEL DIAPHRAGM) RF DIAPHRAGM IN MONEL YR STATIC PRESSURE UPTO 200 Kg/cm <sup>2</sup> YS STATIC PRESSURE UPTO 400 Kg/cm <sup>2</sup>							
<b>ELECTRIC CONTACTS : (WITHOUT IP 55)</b> <b>A) MAGNETIC SNAP ACTION TYPE (230 Vac 1A)</b> AVAILABLE ONLY ABOVE 6000 mmWC RJ Single; NORMALLY CLOSED RK Double; NORMALLY CLOSED + NORMALLY OPEN RL Single; NORMALLY OPEN RM Double; NORMALLY OPEN + NORMALLY CLOSED RN Double; NORMALLY CLOSED RO Double; NORMALLY OPEN RP BOOSTER FOR CURRENT UPTO 5Amp							
<b>B) INDUCTIVE TYPE (220 Vac 4A)</b> AVAILABLE ONLY ABOVE 400 mmWC YW Single; NORMALLY OPEN YV Single; NORMALLY CLOSED YX Double; NORMALLY CLOSED + NORMALLY OPEN YY Double; NORMALLY OPEN YZ Double; NORMALLY CLOSED ZA Double; NORMALLY OPEN + NORMALLY CLOSED							

Note : For static Pressure above 200 Kg/cm<sup>2</sup> Please Consult Factory.

**Note : Due to continuous changes the specification may vary from time to time**