



# SS CASE BRASS PRESSURE GAUGE

## BOURDON



### SPECIAL FEATURES

- COST EFFECTIVE
- MOST SUITABLE IN AREAS WITH VIBRATION
- RUGGED BUT SLEEK DESIGN
- DRY OR LIQUID FILLED
- SS 304 CRIMPED CASE

### APPLICATIONS

PNEUMATICS, HYDRAULICS, PUMPS, COMPRESSORS, DIESEL ENGINES. HIGH VIBRATION AREAS

## SPECIFICATIONS

### STANDARD VERSION : 100 MM

Accuracy	: ±1.6% of F.S.
Ambient temperature	: - 20°C to + 65°C
Process temperature	: Max 125°C
Operating pressure	: 75 % of the Range Value
Over pressure limit	: 25 % for Ranges upto 100kg / cm <sup>2</sup> 15 % for Pressure Ranges above 100kg / cm <sup>2</sup>
Case & Ring	: AISI 304 SS, Bayonet Type
Bourdon	: Brass upto 70 kg/cm <sup>2</sup> ( SS for ranges from 100 to 1000 kg/cm <sup>2</sup> )
Socket	: Brass
Movement	: Brass
Joints	: Tin - Copper Brazing (100 to 1000 kg/cm <sup>2</sup> - Silver Alloy)
Protection	: IP 55
Dial	: Aluminium, black graduation on white background
Pointer	: Aluminium, black Coloured Fixed
Window	: Plexi Glass
Filling Plug	: Neoprene
Gasket	: Neoprene

### GLYCERINE FILLED VERSION(PY)

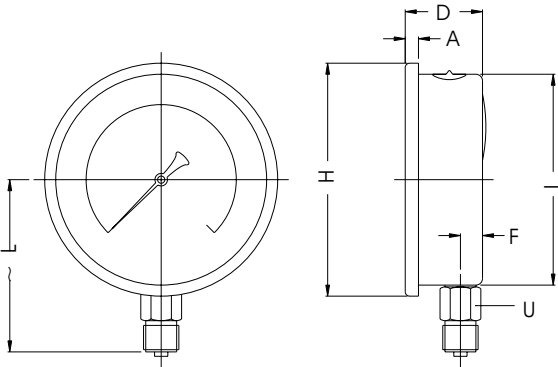
Ambient Temperature	: Maximum 65°C
Protection	: IP 65
Process Temperature	: + 65° C
Other Features	: Refer Specification of Standard Version



# SS CASE BRASS PRESSURE GAUGE BOURDON

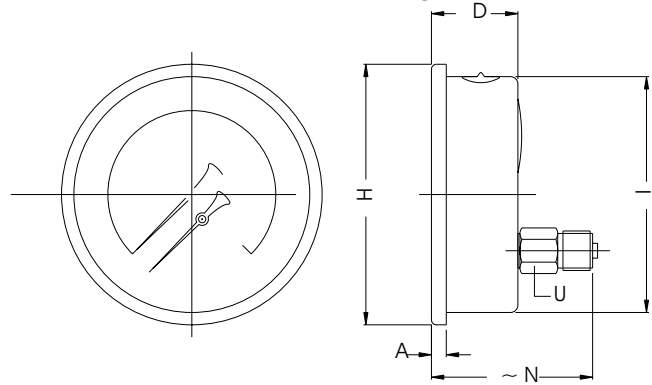


TYPE 2



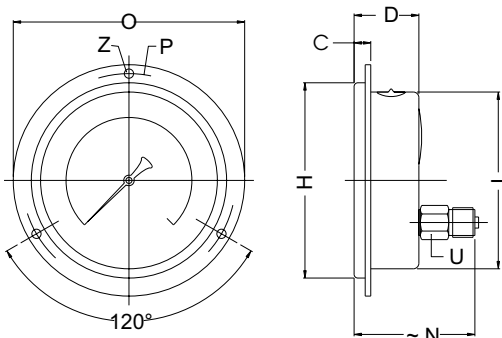
NS	A	D	F	H	I	~L	U	WT.
100	9	30	10	105.5	95.5	80	17	0.49 Kg

TYPE 3



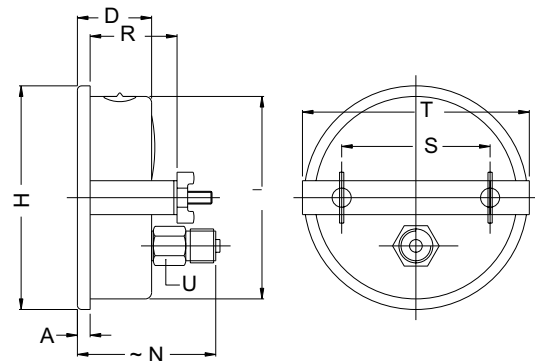
NS	A	D	H	I	~N	U	WT.
100	9	30	105.5	95.5	60	17	0.51 Kg

TYPE 5



NS	C	D	H	I	~N	O	U	P	Z	WT.
100	12	30	105.5	95.5	60	125	17	106	5	0.56 Kg

TYPE 9



NS	A	D	H	I	~N	R	S	T	U	WT.
100	9	30	105.5	95.5	60	40	70	105	17	0.55 Kg

(\*WEIGHTS MENTIONED ARE FOR STANDARD VERSION.)

Notes : • Drawings are not to scale. • All Dimensions are in mm. • NS = Nominal Size.

## DAMPENING LIQUIDS: CODE

DAMPENING LIQUIDS	OPTION CODE	AMBIENT TEMPERATURE LIMIT	
Glycerine 98%	PY	+ 15 / + 65°C	+ 20 / + 65°C
Fluoroube	PX	- 45 / + 65°C	- 45 / + 70°C
Mineral Oil	PZ	- 60 / + 65°C	- 40 / + 140°C
Silicon Oil	QA	- 40 / + 65°C	- 40 / + 170°C



# SS CASE BRASS PRESSURE GAUGE

## BOURDON



### RANGE TABLE

**Note :** Waaree offers National / International Scales like kPa,Mpa,bar,psi,kg/cm<sup>2</sup> & Dual Scale like kPa with psi, kPa with bar, bar with psi or Equivalent scales as per the requirement can be provided on request.

Following are the example tables for kg/cm<sup>2</sup> & psi scales

### PRESSURE RANGE

SINGLE SCALE					
RANGE (kg/cm <sup>2</sup> )	RANGE	RANGE	RANGE	RANGE	RANGE
0/1	0/4	0/16	0/60	0/250	0/1000
0/1.6	0/6	0/25	0/100	0/400	
0/2.5	0/10	0/40	0/160	0/600	
DUAL SCALE PSI with kg/cm <sup>2</sup>					
RANGE (IN PSI)	RANGE (kg/cm <sup>2</sup> )	RANGE (IN PSI)	RANGE (kg/cm <sup>2</sup> )	RANGE (IN PSI)	RANGE (kg/cm <sup>2</sup> )
0/15	1	0/300	20	0/3000	210
0/30	2	0/400	28	0/4000	280
0/60	4	0/500	35	0/5000	350
0/100	7	0/600	42	0/6000	420
0/150	10	0/1000	70	0/10000	700
0/200	14	0/1500	100	0/15000	1000
		0/2000	140		

### VACUUM & COMPOUND RANGE

DUAL SCALE					
Range	Range	Range	Range	Range	Range
inHg with PSI	mmHg with kg/cm <sup>2</sup>	inHg with PSI	mmHg with kg/cm <sup>2</sup>	inHg with PSI	mmHg with kg/cm <sup>2</sup>
- 30/0	- 760 / 0	- 30/60	- 760 / 4	- 30/200	- 760 / 14
- 30/15	- 760 / 1	- 30/100	- 760 / 7	- 30/300	- 760 / 21
- 30/30	- 760 / 2	- 30/150	- 760 / 10		
SINGLE SCALE kg/cm <sup>2</sup>					
RANGE	RANGE	RANGE	RANGE	RANGE	RANGE
- 1/0	- 1/1.5	- 1/5	- 1/15		
- 1/0.6	- 1/3	- 1/9	- 1/24		

### FREON RANGE

DUAL SCALE ( Inch Hg to PSI )			
	RANGE	RANGE	RANGE
	-30/150	-30/500	0-300
	-30/300		0-500

### ACCESSORIES

<b>EA</b>	ANTI VIBRATION SPRING	<b>EE</b>	MANIFOLDS	<b>Dx</b>	<b>DIAPHRAGM SEALS</b>
<b>EB</b>	COOLING TOWER	<b>EF</b>	NEEDLE VALVE		
<b>EC</b>	GAUGE COCK	<b>EG</b>	SNUBBER		
<b>ED</b>	GAUGE SAVER	<b>EH</b>	SYPHON		



# SS CASE BRASS PRESSURE GAUGE

## BOURDON

**AS**

### HOW TO ORDER

#### BASIC MODEL

#### NOMINAL SIZE

F 100mm

#### TYPE OF MOUNTING

- 2 DIRECT BOTTOM ENTRY
- 3 DIRECT LOWER BACK ENTRY
- 5 FLUSH PANEL BACK ENTRY WITH FRONT FLANGE
- 9 BACK ENTRY WITH MOUNTING BRACKET

(OTHER TYPES OF MOUNTING CAN BE PROVIDED ON REQUEST)

#### GAUGE CONNECTION

- 3BM 3/8" BSP (M) STANDARD
- 4BM 1/2" BSP (M)
- 2BM 1/4" BSP (M)
- 4NM 1/2" NPT (M)
- 2NM 1/4" NPT (M)

ADAPTORS PROVIDED FOR OTHER NON STD. CONNECTION

#### RANGE

REFER TABLES

#### OPTIONS

- PW FIVE POINT FACTORY CALIBRATION CERTIFICATE
- RH CUSTOM DESIGNED DIAL
- SG OXYGEN SERVICE (WITHOUT DAMPENING LIQUID)
- SW DIAL TAG MARKING
- SX SS TAG PLATE
- PY DAMPENING LIQUID GLYCERINE FILLED
- TH DRY BUT FILLABLE
- SK MICROMETER '0' ADJUSTMENT POINTER
- ZC FREON RANGE (WITH TEMPERATURE SCALE)

AS

F

5

4NM

0-10  
Kg/cm<sup>2</sup>

PY

Note: Due to continuous changes the specification may vary from time to time