



ALL SS PRESSURE GAUGE (COMPACT CASE) BOURDON



SPECIAL FEATURES

- COST EFFECTIVE
- RUGGED BUT SLEEK DESIGN
- DRY OR LIQUID FILLED
- COMPACT DESIGN

APPLICATIONS

PNEUMATICS, HYDRAULICS, PUMP, COMPRESSORS,
DIESEL ENGINES

SPECIFICATIONS

STANDARD VERSION : 100mm

Accuracy	: ±1.6% of F.S.
Ambient temperature	: - 20°C to + 60°C
Process temperature	: Max 270°C
Operating pressure	: 75° of the Scale Value
Over pressure limit	: 25% for Pressure Ranges upto 100kg / cm ² 15% for Pressure Ranges above 100kg / cm ²

Case	: AISI 304 SS
Ring	: AISI 304 SS Bayonet Type
Bourdon	: AISI 316 SS
Socket	: AISI 316 SS
Movement	: AISI 316 SS
Joints	: Tig Argon Arc Welding

Protection	: IP 55
Dial	: Aluminium, black graduation on white background
Pointer	: Aluminium, black Coloured, Fixed
Window	: Plexi Glass
Filling Plug	: Neoprene
Gasket	: Neoprene

GLYCERINE FILLED VERSION (Option PY)

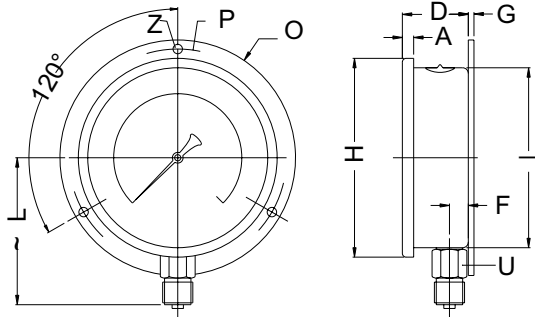
Ambient Temperature	: Maximum 65° C
Protection	: IP 65° C
Process Temperature	: + 65°C
Other Features	: Refer Specification of Standard Version



ALL SS PRESSURE GAUGE (COMPACT CASE) BOURDON

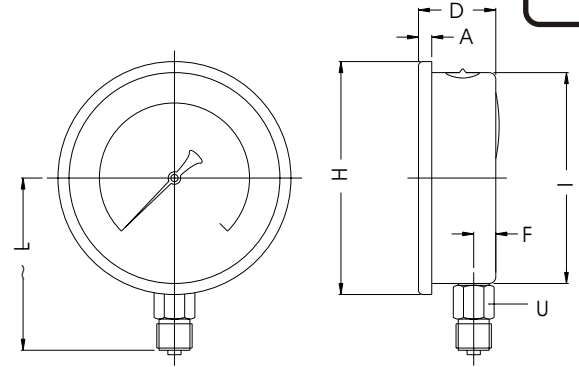


TYPE 1



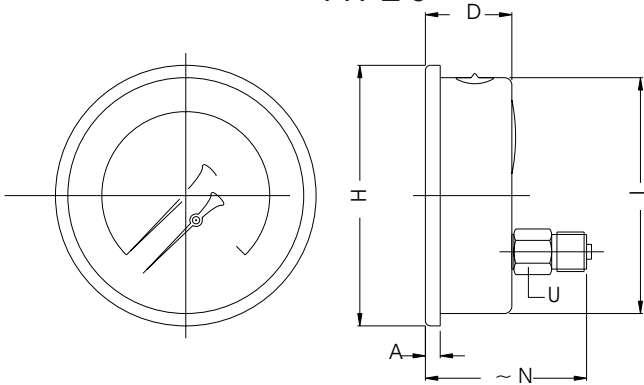
NS	A	D	F	H	I	~L	U	G	Z	P	O	WT.
100	9	30	10	105.5	95.5	80	17	3	5	105	125	0.54 Kg

TYPE 2



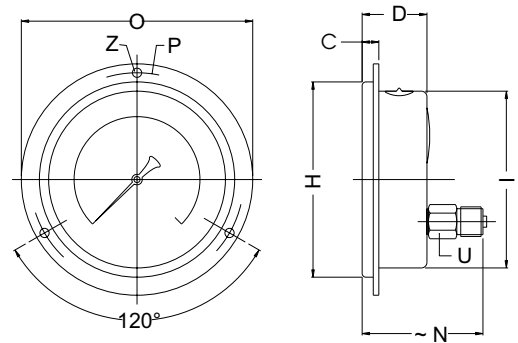
NS	A	D	F	H	I	~L	U	WT.
100	9	30	10	105.5	95.5	80	17	0.49 Kg

TYPE 3



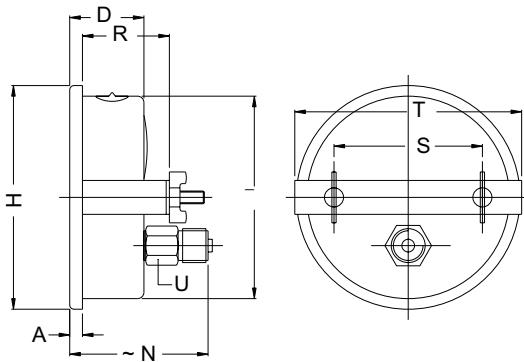
NS	A	D	H	I	~N	U	WT.
100	9	30	105.5	95.5	60	17	0.51 Kg

TYPE 5



NS	C	D	H	I	~N	O	U	P	Z	WT.
100	12	30	105.5	95.5	60	125	17	106	5	0.56 Kg

TYPE 9



NS	A	D	H	I	~N	R	S	T	U	WT.
100	9	30	105.5	95.5	60	40	70	105	17	0.55 Kg

(*WEIGHTS MENTIONED ARE FOR STANDARD VERSION.)

Notes : • Drawings are not to scale. • All Dimensions are in mm. • NS = Nominal Size.



ALL SS PRESSURE GAUGE (COMPACT CASE) BOURDON



RANGE TABLE

Note :Waaeree offers National / International Scales like kPa,Mpa,bar,psi,kg/cm² & Dual Scale like kPa with psi, kPa with bar, bar with psi or Equivalent scales as per the requirement can be provided on request.

Following are the example tables for kg/cm² & psi scales

PRESSURE RANGE

SINGLE SCALE with kg/cm ²					
RANGE	RANGE	RANGE	RANGE	RANGE	RANGE
0/1	0/4	0/16	0/60	0/250	0/1000
0/1.6	0/6	0/25	0/100	0/400	
0/2.5	0/10	0/40	0/160	0/600	
DUAL SCALE PSI with kg/cm ²					
RANGE (IN PSI)	RANGE (kg/cm ²)	RANGE (IN PSI)	RANGE (kg/cm ²)	RANGE (IN PSI)	RANGE (kg/cm ²)
0/15	1	0/300	21	0/3000	210
0/30	2	0/400	28	0/4000	280
0/60	4	0/500	35	0/5000	350
0/100	7	0/600	42	0/6000	420
0/150	10	0/1000	70	0/10000	700
0/200	14	0/1500	100	0/15000	1000
		0/2000	140		

VACUUM & COMPOUND RANGE

DUAL SCALE					
Range	Range	Range	Range	Range	Range
inHg with PSI	mmHg with kg/cm ²	inHg with PSI	mmHg with kg/cm ²	inHg with PSI	mmHg with kg/cm ²
- 30/0	- 760 / 0	- 30/60	- 760 / 4	- 30/200	- 760 / 14
- 30/15	- 760 / 1	- 30/100	- 760 / 7	- 30/300	- 760 / 21
- 30/30	- 760 / 2	- 30/150	- 760 / 10		
SINGLE SCALE kg/cm ²					
RANGE	RANGE	RANGE	RANGE	RANGE	RANGE
- 1/0	- 1/1.5	- 1/5	- 1/15	- 1/15	- 1/15
- 1/0.6	- 1/3	- 1/9	- 1/24	- 1/24	- 1/24

FREON GAUGE RANGE (WITH TEMPERATURE SCALE)

SINGLE SCALE (inch Hg to PSI)			
	RANGE	RANGE	RANGE
	-30/150	0/500	0/300
	-30/300		

ACCESSORIES

EA	ANTI VIBRATION SPRING	EE	MANIFOLDS	Dx	DIAPHRAGM SEAL
EB	COOLING TOWER	EF	NEEDLE VALVE		
EC	GAUGE COCK	EG	SNUBBER		
ED	GAUGE SAVER	EH	SYPHON		

Note : Other Scale are available on customer request Please specify

DAMPENING LIQUIDS: CODE

DAMPENING LIQUIDS	OPTION CODE	AMBIENT TEMPERATURE LIMIT	PROCESS TEMPERATURE LIMIT
Glycerine 98%	PY	+ 15 / + 65°C	+ 20 / + 65°C
Fluorolube	PX	- 45 / + 65°C	- 45 / + 70°C
Mineral Oil	PZ	- 60 / + 65°C	- 40 / + 140°C
Silicon Oil	QA	- 40 / + 65°C	- 40 / + 170°C



ALL SS PRESSURE GAUGE (COMPACT CASE) BOURDON



HOW TO ORDER

BASIC MODEL

NOMINAL SIZE

F 100mm

TYPE OF MOUNTING

- 1 SURFACE MOUNTING - BOTTOM
- 2 DIRECT BOTTOM ENTRY
- 3 DIRECT LOWER BACK ENTRY
- 5 FLUSH PANEL BACK ENTRY WITH FRONT FLANGE
- 9 BACK ENTRY WITH MOUNTING BRACKET

GAUGE CONNECTION

- | | |
|----------------------------------|--------------------------|
| 3BM 3/8" BSP (M) STANDARD | 2NM 1/4" NPT (M) |
| 4BM 1/2" BSP (M) | 2TM 1/4" BSPT (M) |
| 2BM 1/4" BSP (M) | 3TM 3/8" BSPT (M) |
| 4NM 1/2" NPT (M) | 4TM 1/2" BSPT (M) |

ADAPTORS PROVIDED FOR OTHER NON STD. CONNECTION

RANGE

REFER TABLES

0-10
Kg/cm²

OPTIONS

- | | |
|--|--|
| PW FIVE POINT FACTORY CALIBRATION CERTIFICATE | RX SHATTERPROOF GLASS |
| RH CUSTOM DESIGNED DIAL | SK MICROMETER '0' ADJUSTABLE POINTER |
| SG OXYGEN SERVICE (WITHOUT DAMPENING LIQUID) | PZ DAMPENING LIQUID MINERAL OIL FILLED |
| SW DIAL TAG MARKING | PX DAMPENING LIQUID FLUOROLUBE FILLED |
| SX SS TAG PLATE | FG FILLABLE LIQUID GLYCERINE |
| QB DAMPENING SCREW IN AISI 316 SS | FS FILLABLE LIQUID SILICON OIL* |
| QA DAMPENING LIQUID SILICON OIL FILLED | ZC FREON RANGE (WITH TEMPERATURE SCALE) |

* GASKET, BOD & PLUG OF VITON