



SS CASE BRASS PRESSURE GAUGE

COMPACT CAPSULE



SPECIAL FEATURES

- STAINLESS STEEL CASE & RING
- MOST SUITABLE FOR AIR & GASEOUS APPLICATION
- COMPACT DESIGN
- MEASUREMENT FROM 25 mBar TO 600 mBar
- BOTTOM & BACK MOUNTING
- VACUUM & COMPOUND RANGES
- STANDARD FOLLOWED EN - 837 - 3 / IS 3624

APPLICATIONS

AIR / GASES / LIQUIDS WHICH ARE NON CORROSIVE & SUITABLE FOR BRASS INTERNALS.

SPECIFICATIONS

STANDARD VERSION : 63/100/115/150 MM

Accuracy	: ±1.6% of F.S.
Ambient temperature	: - 25°C to + 65°C
Process temperature	: 100°C
Operating pressure	: 75 % of the Scale Value
Over pressure limit	: Not Suitable

Case	: AISI 304 SS
Ring	: AISI 304 SS Bayonet Type
Capsule	: Brass
Socket	: Brass
Movement	: Brass
Joints	: Tin Soldering

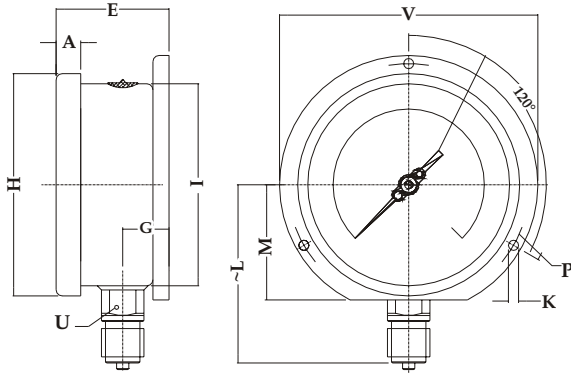
Protection	: IP 55
Dial	: Aluminium, black graduation on white background
Pointer	: Aluminium, black Coloured Micrometer Zero Adjustable
	: (Fixed For NS 63 MM)
Window	: Sheet Glass
Gasket	: Neoprene



SS CASE BRASS PRESSURE GAUGE COMPACT CAPSULE

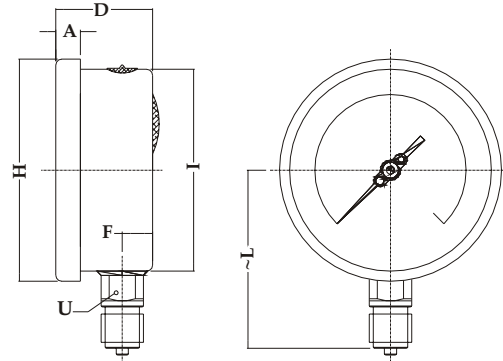


TYPE - 1



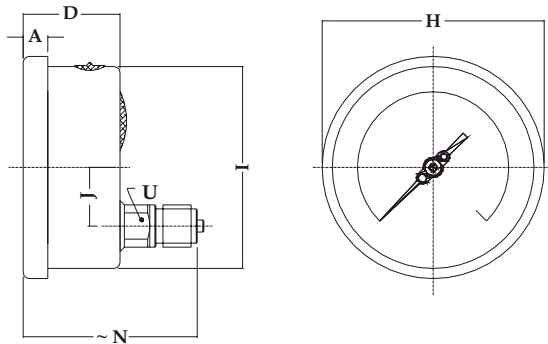
NS	A	E	G	H	I	K	L	M	P	U	V	Wt.in kg*
100	12	55	23	110	100	7	90	56	120	22	128	0.70
115	11.5	55	23	132	115	7	96	67	150	22	160	0.78
150	12	55	23	164	150	7	115	82	174	22	191	1.15

TYPE - 2



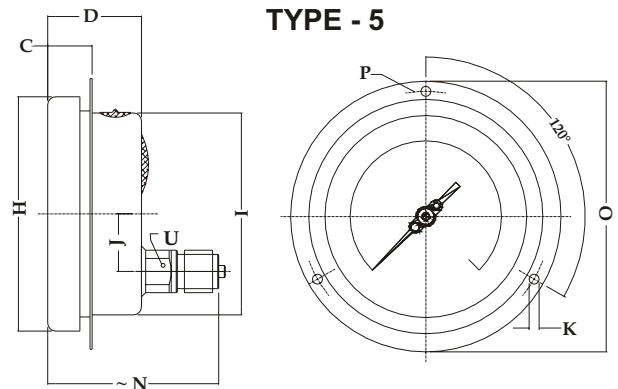
NS	A	D	F	H	I	L	U	Wt. in kg*
100	12	47	16.5	110	100	90	22	0.64
115	11.5	47	16.5	132	115	96	22	0.70
150	12	47	16.5	164	150	115	22	1.05

TYPE - 3



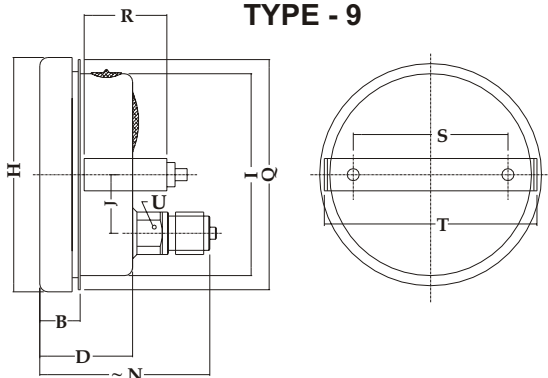
NS	A	D	H	I	J	N	U	Wt.in kg*
100	12	47	110	100	29	87	22	0.66
115	11.5	47	132	115	29	87	22	0.72
150	16	47	164	150	48	87	22	1.02

TYPE - 5



NS	C	D	H	I	J	K	N	O	P	U	Wt.in kg*
100	20	47	110	100	29	7	87	135	120	22	0.72
115	20	47	132	115	29	7	87	160	145	22	0.80
150	20	47	164	150	48	7	88	188	175	22	1.18

TYPE - 9

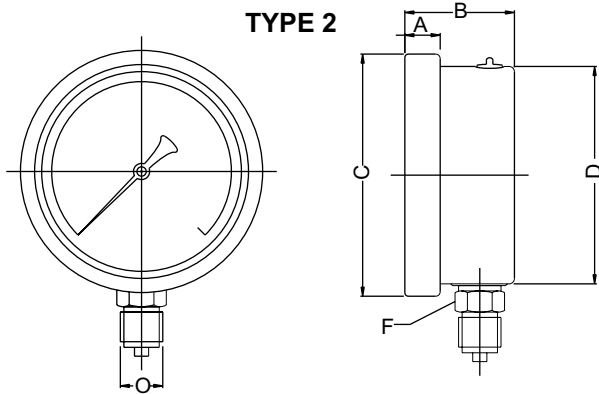


NS	B	D	H	I	J	N	Q	R	S	T	U	Wt.in kg*
100	20	47	110	100	29	87	110	40	70	106	22	0.71
115	20	47	132	115	29	87	132	43	80	130	22	0.78
150	20	47	164	150	48	87	160	43	105	160	22	1.12

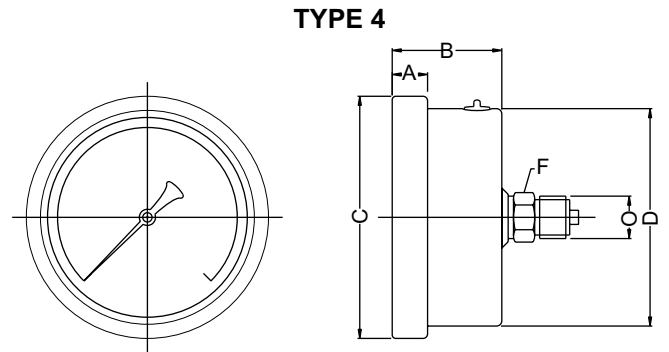
(*WEIGHTS MENTIONED ARE FOR STANDARD VERSION.)
Notes : • Drawings are not to scale. • All Dimensions are in mm. • NS = Nominal Size.



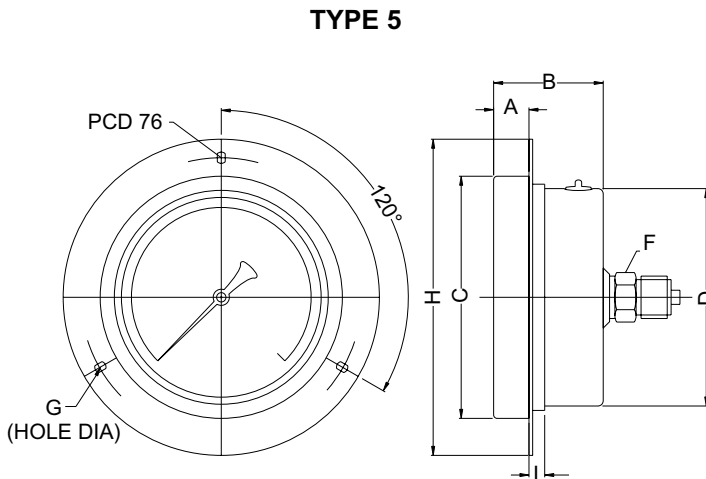
SS CASE BRASS PRESSURE GAUGE COMPACT CAPSULE



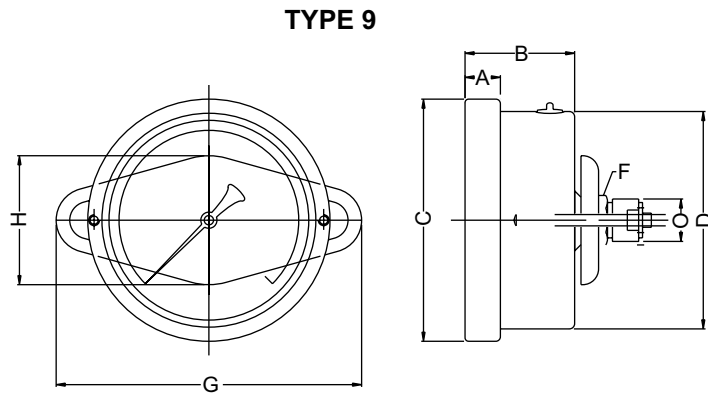
NS	A	D	F	H	I	L	U	Wt
63	10	43	10	68.5	61.5	53	14	0.13Kg



NS	A	D	H	I	N	U	Wt
63	10	43	68.5	61.5	54	14	0.13Kg



NS	D	H	I	K	N	O	P	U	Wt
63	43	68.5	61.5	4	54	86	76.5	14	0.15kg



NS	B	D	H	I	N	Q	U	W	Wt
63	13	43	68.5	61.5	54	68.5	14	67	0.14kg

(*WEIGHTS MENTIONED ARE FOR STANDARD VERSION.)

Notes : • Drawings are not to scale. • All Dimensions are in mm. • NS = Nominal Size.



SS CASE BRASS PRESSURE GAUGE

COMPACT CAPSULE

RANGE TABLE

Note : Waaree offers National / International Scales like mbar, KPa, Pa, inWC, MWC & Dual Scale or Equivalent scales as per the requirement can be provided on request. **Following are the example tables for mmWC scales**



PRESSURE RANGE

SINGLE SCALE - mmWC				
RANGE	RANGE	RANGE	RANGE	RANGE
0/250	0/600	0/1600	0/2500	0/6000
0/400	0/1000	0/2000	0/4000	

VACUUM & COMPOUND RANGE

SINGLE SCALE - mmWC				
RANGE	RANGE	RANGE	RANGE	RANGE
- 250/0	- 600/0	- 1600/0	- 2500/0	- 6000/0
- 400/0	- 1000/0	- 2000/0	- 4000/0	
SINGLE SCALE - mmWC				
RANGE	RANGE	RANGE	RANGE	RANGE
- 100/150	- 200/400	- 600/1000	- 1000/1500	- 2000/4000
- 150/250	- 400/600	- 800/1200	- 1500/2500	

ACCESSORIES

EB COOLING TOWER	EC GAUGE COCK	EF NEEDLE VALVE	EG SNUBBER	EH SYPHON
------------------	---------------	-----------------	------------	-----------

HOW TO ORDER

BASIC MODEL

NOMINAL SIZE

D 63mm F 100mm G 115mm H 150mm

AX

F

TYPE OF MOUNTING

- | | |
|---|---|
| 1 (A) WALL/ (B) SURFACE/ (C) PROJECTION MOUNTING WITH BOTTOM ENTRY (NOT WITH NS 63 mm) | 4 DIRECT CENTER BACK ENTRY (ONLY IN NS 63 mm) |
| 2 DIRECT BOTTOM ENTRY | 5 FLUSH PANEL BACK ENTRY WITH FRONT FLANGE |
| 3 DIRECT LOWER BACK ENTRY (NOT WITH NS 63 mm) | 9 BACK ENTRY WITH MOUNTING BRACKET |

5

GAUGE CONNECTION

2BM 1/4" BSP (M) STANDARD FOR NS 63	3NM 3/8" NPT (M)
3BM 3/8" BSP (M) STANDARD	4NM 1/2" NPT (M) STANDARD FOR NS 100,115 & 150mm
4BM 1/2" BSP (M) STANDARD FOR NS 100,115 & 150mm	ADAPTORS PROVIDED FOR OTHER NON STD. CONNECTION

4NM

RANGE

REFER TABLES

0-100
mBAR

OPTIONS

PS AISI 316 SS CASE AND RING	RX SHATTERPROOF GLASS
PW FIVE POINT FACTORY CALIBRATION CERTIFICATE	RZ TOUGHENED GLASS (NOT FOR NS 63 MM)
QB DAMPENING SCREW IN BRASS	SG OXYGEN SERVICE
RH CUSTOM DESIGNED DIAL	SW DIAL TAG MARKING
RW PLEXI GLASS	SX SS TAG PLATE

SX

ELECTRIC CONTACTS (WITHOUT IP 55, NOT AVAILABLE IN NOMINAL SIZE D,G)

INDUCTIVE TYPE (220 Vac, 4 A)

YW Single NORMALLY OPEN
YV Single NORMALLY CLOSED
YX Double NORMALLY CLOSED + NORMALLY OPEN
YY Double NORMALLY OPEN
YZ Double NORMALLY CLOSED
ZA Double NORMALLY OPEN + NORMALLY CLOSED

Note: Due to continuous changes the specification may vary from time to time