



# DIAPHRAGM SEAL SANITARY SEAL (TRICLAMP TYPE)



## SPECIAL FEATURES

- QUICK CONNECT AND DISCONNECT
- MATCHING 3A STANDARDS
- FOR HYGIENE APPLICATIONS
- EASY TO CLEAN

## APPLICATIONS

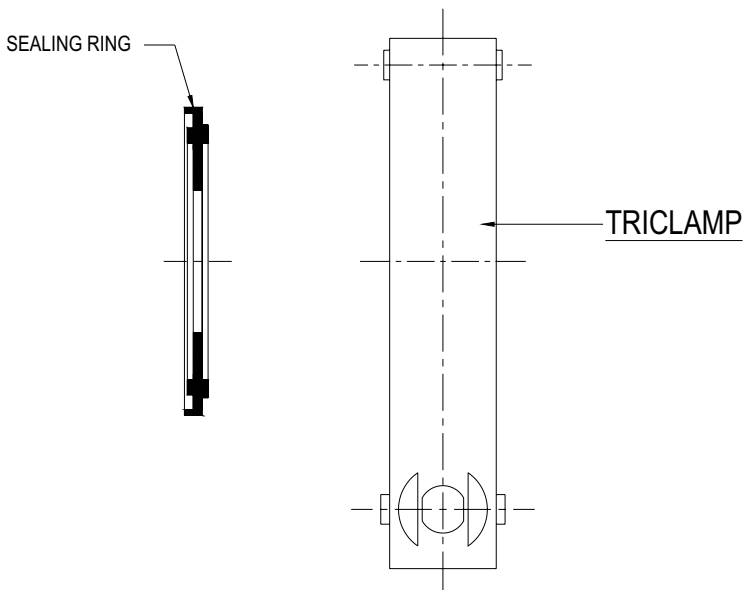
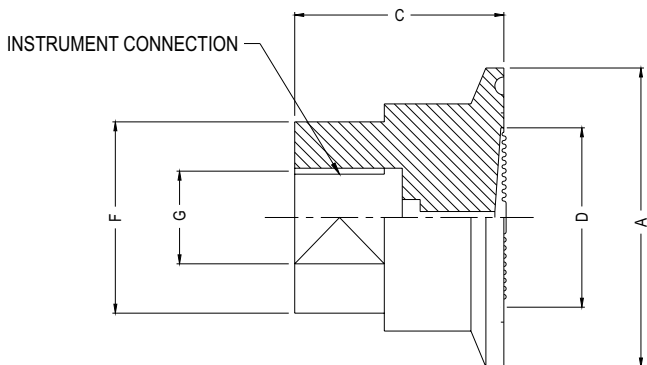
DIAPHRAGM SEALS ARE PROVIDED IN THE INSTRUMENTS LIKE PRESSURE GAUGES, SWITCHES, TRANSMITTERS IN ORDER TO ISOLATE THE SENSING ELEMENT FROM THE MAIN SERVICE DUE TO ITS CORROSIVE, VISCOUS AND SEDIMENTED NATURE AND TO AVOIDS CLOGGING AND SOLIDIFICATION. THESE SEALS ARE USED IN THE APPLICATIONS WHERE HIGH PURITY IN PROCESS IS ESSENTIAL - TYPICALLY IN FOOD, DIARY, BEVERAGES AND PHARMACEUTICAL INDUSTRIES.

## SPECIFICATIONS

### STANDARD VERSION

Range	:	-1 kg/cm <sup>2</sup> to 21 kg/cm <sup>2</sup>
Process temperature	:	- 20°C to 140°C
Instrument Connection	:	1/4" BSP (F)
Process Connection	:	1 1/2" Triclamp Connection

Diaphragm	:	AISI 316L SS
Seal Chamber	:	AISI 316 SS
Fill Fluid	:	Food Grade Oil



Size	A	C	D	F	G
1.5"	50	35	30	32	1/4" BSP (F)
2"	64	35	35	32	1/4" BSP (F)
2.5"	77.5	35	50	32	1/4" BSP (F)

Notes : • Drawings are not to scale. • All Dimensions are in mm.



# DIAPHRAGM SEAL SANITARY SEAL (TRICLAMP TYPE)

**DH**

## HOW TO ORDER

### BASIC MODEL

**DH**

### OPTIONS

#### DIAPHRAGM

UJ AISI 316L SS

**UJ**

#### INSTRUMENTS CONNECTION

VP	3/8" BSP (F)	VM	1/2" NPT (F)
VL	1/2" BSP (F)	VO	1/4" NPT (F)
VQ	3/8" NPT (F)	VN	1/4" BSP (F)

**VP**

#### PROCESS CONNECTION

YN 1.5" TRICLAMP AISI 316 SS  
YO 2" TRICLAMP AISI 316 SS  
YP 2.5" TRICLAMP AISI 316 SS

**YN**

#### TRICLOVER CLAMP

ZO 1 1/2" TRICLOVER CLAMP AISI 304 SS  
ZP 2" TRICLOVER CLAMP AISI 304 SS  
ZQ 2 1/2" TRICLOVER CLAMP AISI 304 SS

-

#### TYPE

A0 WITHOUT CAPILLARY                      A1 WITH CAPILLARY

**A0**

#### CAPILLARY

PE	AISI 304 SS	PG	AISI 316 SS
PF	AISI 304 SS ARMoured CAPILLARY	PH	AISI 316 SS ARMoured CAPILLARY
PI	PVC ARMoured CAPILLARY		

#### CAPILLARY LENGTH

IN METERS (e.g. 1.5 = 1.5 METERS 2.0 = 2 METERS)

#### OTHER OPTIONS

TB	HELIUM LEAK TEST MATING CLAMP REQUIRED	YX	DRY SEAL ONLY WITHOUT INSTRUMENT
----	---	----	----------------------------------

*Note : Due to continuous changes the specification may vary from time to time*