



# DIAPHRAGM SEAL

## DIRECT FLANGED INSET TYPE



### SPECIAL FEATURES

- WELDED DIAPHRAGM
- WIDE RANGE OF DIAPHRAGM MATERIAL
- WELDED DIAPHRAGM
- MOST SUITABLE FOR SLURRY & CORROSIVE SERVICE

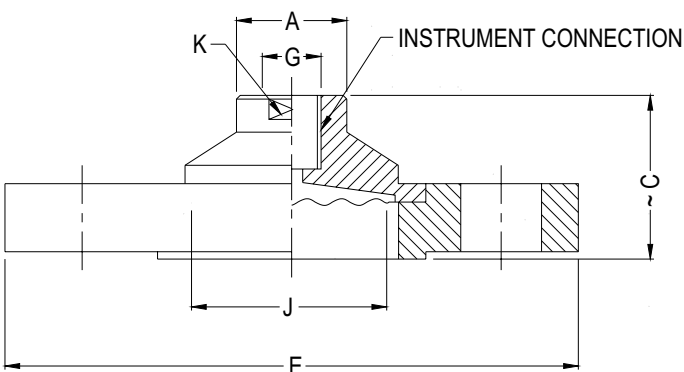
### APPLICATIONS

DIAPHRAGM SEALS ARE PROVIDED IN THE INSTRUMENTS LIKE PRESSURE GAUGES, SWITCHES, TRANSMITTERS IN ORDER TO ISOLATE THE SENSING ELEMENT FROM THE MAIN SERVICE DUE TO ITS CORROSIVE, VISCOUS AND SEDIMENTED NATURE AND TO AVOIDS CLOGGING AND SOLIDIFICATION. THESE KIND OF SEALS ARE WIDELY USED IN THE VISCOUS & CORROSIVE SERVICES WHERE FLUSHING IS REQUIRED PERIODICALLY & FREQUENTLY.

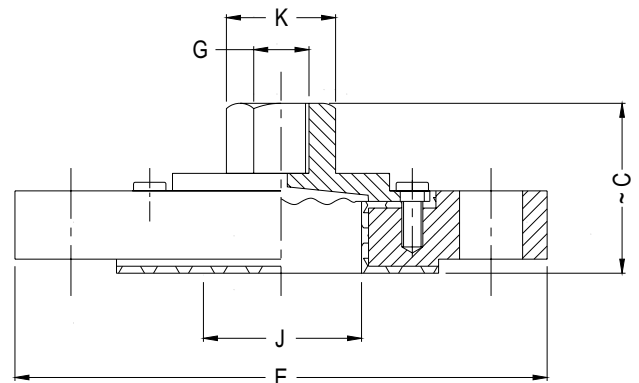
### SPECIFICATIONS

#### STANDARD VERSION

Range	:	-1 kg/cm <sup>2</sup> to 400 kg/cm <sup>2</sup>
Process Temperature	:	- 40°C to 200°C
Instrument Connection	:	3/8" BSP (F)
Process Connection	:	Flange(As per DIN / BS / ANSI) - 40NB(1 1/2") to 100NB (4") (As Required)
Diaphragm	:	AISI 316L SS
Top Chamber	:	AISI 304 SS
Flange Material	:	AISI 316 SS
Fill Fluid	:	Silicon Oil - DC 200



NON TEFLON LINED



TEFLON LINED

A	~C	E	G	J	K
30	44.5	**	3/8" BSP(M)	***	A/F 27

\*\* as per standard BLRF flange table ANSI, DIN, BS, Etc.,

\*\*\* 40 / 53 / 63 / 70 mm DIA. DIAPHRAGM TO SUIT FLANGE



# DIAPHRAGM SEAL DIRECT FLANGED INSET TYPE

## FLANGE CONNECTION CODES



### AS PER DIN 2527

DN	PN	CODE
10	6	A01
	10	A02
	16	A03
	25	A04
	40	A05
	64	A06
	100	A07
	160	A08
	250	A09
	400	A10
15	6	A11
	10	A12
	16	A13
	25	A14
	40	A15
	64	A16
	100	A17
	160	A18
	250	A19
	400	A20
20	6	A21
	10	A22
	16	A23
	25	A24
	40	A25
25	6	A26
	10	A27
	16	A28
	25	A29
	40	A30
	64	A31
	100	A32
	160	A33
	250	A34
400	A35	

DN	PN	CODE
32	6	A36
	10	A37
	16	A38
	25	A39
	40	A40
	64	A41
40	10	A42
	16	A43
	25	A44
	40	A45
	64	A46
	100	A47
	160	A48
	250	A49
	400	A50
	50	6
10		A52
16		A53
25		A54
40		A55
64		A56
100		A57
160		A58
250		A59
400		A60

DN	PN	CODE
65	6	A61
	10	A62
	16	A63
	25	A64
	40	A65
	64	A66
	100	A67
	160	A68
	250	A69
	400	A70
80	6	A71
	10	A72
	16	A73
	25	A74
	40	A75
	64	A76
	100	A77
	160	A78
	250	A79
	400	A80

### AS PER DIN 2642

DN	PN	CODE
10	10	A90
15		A91
20		A92
25		A93
32		A94
40		A95
50		A96
65		A97
80		A98

### AS PER DIN 2633

DN	PN	CODE
10	16	A81
15		A82
20		A83
25		A84
32		A85
40		A86
50		A87
65		A88
80		A89

### AS PER DIN 2635

DN	PN	CODE
10	40	A99
15		B01
20		B02
25		B03
32		B04
40		B05
50		B06
65		B07
80		B08



# DIAPHRAGM SEAL DIRECT FLANGED INSET TYPE



## AS PER ANSI B 16.5

NOMINAL SIZE	RATING /CLASS	CODE	NOMINAL SIZE	RATING /CLASS	CODE	NOMINAL SIZE	RATING /CLASS	CODE	NOMINAL SIZE	RATING /CLASS	CODE
1/2"	150	B09	1"	150	B21	1 1/2"	150	B33	2 1/2"	150	B45
	300	B10		300	B22		300	B34		300	B46
	600	B11		600	B23		600	B35		600	B47
	900	B12		900	B24		900	B36		900	B48
	1500	B13		1500	B25		1500	B37		1500	B49
	2500	B14		2500	B26		2500	B38		2500	B50
3/4"	150	B15	1 1/4"	150	B27	2"	150	B39	3"	150	B51
	300	B16		300	B28		300	B40		300	B52
	600	B17		600	B29		600	B41		600	B53
	900	B18		900	B30		900	B42		900	B54
	1500	B19		1500	B31		1500	B43		1500	B55
	2500	B20		2500	B32		2500	B44		2500	B56

## AS PER JIS - B 2210

NOMINAL SIZE	RATING /CLASS	CODE	NOMINAL SIZE	RATING /CLASS	CODE	NOMINAL SIZE	RATING /CLASS	CODE
10	5K	B57	25	5K	B66	50	5K	B75
	10K	B58		10K	B67		10K	B76
	40K	B59		40K	B68		40K	B77
15	5K	B60	32	5K	B69	65	5K	B78
	10K	B61		10K	B70		10K	B79
	40K	B62		40K	B71		40K	B80
20	5K	B63	40	5K	B72	80	5K	B81
	10K	B64		10K	B73		10K	B82
	40K	B65		40K	B74		40K	B83

## AS PER BS - 10

NOMINAL SIZE	TABLE	CODE	NOMINAL SIZE	TABLE	CODE	NOMINAL SIZE	TABLE	CODE	NOMINAL SIZE	TABLE	CODE
1/2"	D	B84	1"	D	B96	1 1/2"	D	C09	2 1/2"	D	C21
	E	B85		E	B97		E	C10		E	C22
	F	B86		F	B98		F	C11		F	C23
	H	B87		H	B99		H	C12		H	C24
	J	B88		J	C01		J	C13		J	C25
	K	B89		K	C02		K	C14		K	C26
3/4"	D	B90	1 1/4"	D	C03	2"	D	C15	3"	D	C27
	E	B91		E	C04		E	C16		E	C28
	F	B92		F	C05		F	C17		F	C29
	H	B93		H	C06		H	C18		H	C30
	J	B94		J	C07		J	C19		J	C31
	K	B95		K	C08		K	C20		K	C32

RAISED FACE : A2 FLAT FACE : A3

### HOW TO ORDER

e.g. FOR FLANGE SIZE OF 1 1/2" AS PER BS-10 TABLE E WITH RAISED FACE : C10.A2

NOTE : PLEASE MENTION SEPARATELY FINISH OF THE FLANGE



# DIAPHRAGM SEAL

## DIRECT FLANGED INSET TYPE



### HOW TO ORDER

#### BASIC MODEL

**DK**

#### OPTIONS

##### TOP CHAMBER

YA AISI 316L SS    XY AISI 316 SS  
 XX AISI 304 SS

**XX**

##### DIAPHRAGM

UI AISI 316 SS    UM MONEL    UQ TANTALUM  
 UJ AISI 316L SS    UN NICKEL    UR TITANIUM  
 UL HASTELLOY 'C'    UP SILVER

**UJ**

##### INSTRUMENTS CONNECTION

VL 1/2" BSP (F)    VQ 3/8" NPT (F)  
 VN 1/4" BSP (F)    VM 1/2" NPT (F)  
 VP 3/8" BSP (F)    VO 1/4" NPT (F)

**VP**

##### PROCESS CONNECTION

AS PER DIN / BS / ANSI FROM SIZE  
 40NB(1 1/2") to 100NB (4") (As Required)

##### FILLING FLUID

US FLUROLUBE 4.2 [-45 TO 175°C / -49 TO 374° F]  
 UT FLUROLUBE 6.3 [-40 TO 235°C / -40 TO 455° F]  
 UU FLUROLUBE FS5 [-40 TO 150°C / -40 TO 302° F]  
 UV FOOD GRADE NEOBEE M-20 [-15 TO 205°C / -5 TO 401° F]  
 UW GLYCERINE [20 TO 200°C / 68 TO 400° F]  
 UX SILICON DC 200-100CS [-45 TO 205°C / -49 TO 401° F]  
 UY SILICON DC 704 [0 TO 315°C / 32 TO 599° F]  
 UZ SILICON DC 710 [5 TO 345°C / 41 TO 653° F]  
 VA SYLTHERM 800 [-45 TO 205°C / -49 TO 401° F]  
 VB SYLTHERM XLT [-75 TO 150°C / -102 TO 302° F]

**UX**

##### PROTECTION OF WETTED PARTS

VS PFA PROTECTION ON BOTTOM CHAMBER- 2mm THICK  
 VW PTFE PROTECTION FOR DIAPHRAGM

**VV**

##### FLANGE MATERIAL

TK AISI SS 304    TX MONEL  
 TL AISI SS 316L    UH TITANIUM  
 TT HASTELLOY 'C'

**TL**

##### TYPE

A0 WITHOUT CAPILLARY  
 A1 WITH CAPILLARY

**A1**

##### CAPILLARY

PE AISI 304 SS    PG AISI 316 SS    PI PVC ARMoured CAPILLARY  
 PF AISI 304 SS ARMoured CAPILLARY    PH AISI 316 SS ARMoured CAPILLARY

**PF**

##### CAPILLARY LENGTH

IN METERS (e.g. 1.5 = 1.5 METERS 2.0 = 2 METERS)

##### OPTIONS

TB HELIUM LEAK TEST  
 YX DRY SEAL ONLY WITHOUT INSTRUMENT

**3**

*Note : Due to continuous changes the specification may vary from time to time*