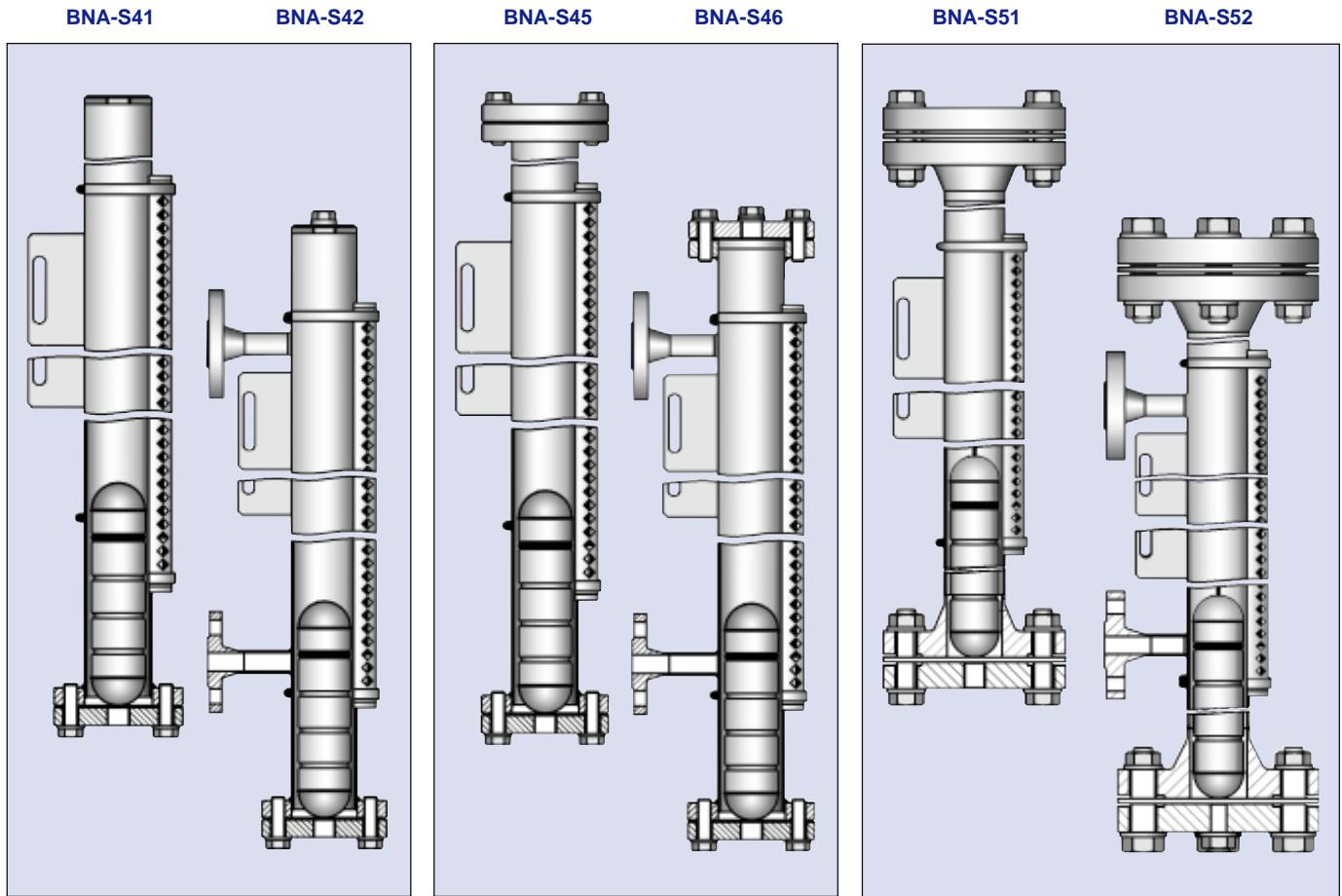


Overview

09 / 02 BNA-ENG 02/1



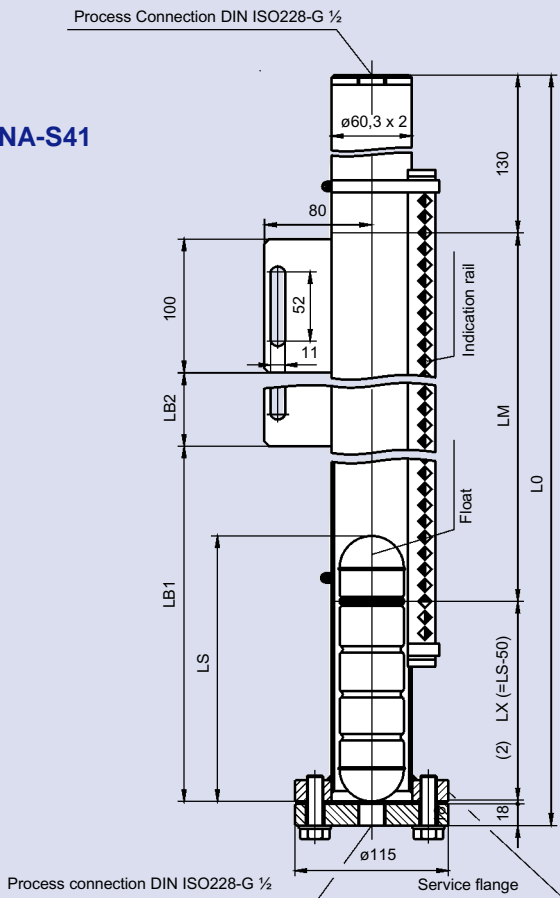
Type	BNA-S41 BNA-S42	BNA-S45 BNA-S46	BNA-S51 BNA-S52
Measuring Ranges	LM max. 6000 mm one piece, split sections also longer, max. LM on request	LM max. 6000 mm one piece, split sections also longer, max. LM on request	LM max. 6000 mm one piece, split sections also longer, max. LM on request
Indication Rail Assembly	Makrolon (Polycarbonate), with red/white square flags	Makrolon (Polycarbonate), with red/white square flags	Makrolon (Polycarbonate), with red/white square flags
Process Connection (without Adaptor)	BNA-S41: top and bottom G 1/2 BNA-S42: side mounted	BNA-S45: top and bottom G 1/2 BNA-S46: side mounted	BNA-S51: top and bottom G 1/2 BNA-S52: side mounted
Stem	Stainl. St. 1.4571 (SS 316 Ti) PN 40, Diameter 60,3 x 2 mm	Stainl. St. 1.4571 (SS 316 Ti) PN 40, Diameter 60,3 x 2 mm	Stainl. St. 1.4571 (SS 316 Ti) PN 64, Diameter 60,3 x 2 mm
Float	Standard PN 40: TT 50/10 in Titan, min. Density: 0,56 g/cm ³ , max. Temperature: 320 °C	Standard PN 40: TT 50/10 in Titan, min. Density: 0,56 g/cm ³ , max. Temperature: 320 °C	Standard: VA 50/20-VAE (vented) in 1.4571, min. Density: 0,65 g/cm ³ , max. Temperature: 150 °C
Max. Pressure in bar	40 bar	40 bar	64 bar
Max. Temperature	320 °C	320 °C	150 °C
Options	Alu-Indication Rail, Titanium-Float, Special Connections	Alu-Indication Rail, Titanium-Float, Special Connections	Alu-Indication Rail, Titanium-Float, Special Connections
Approvals	Shipbuilding Approval	Shipbuilding Approval	Shipbuilding Approval

Specifications are subject to changes without notice.

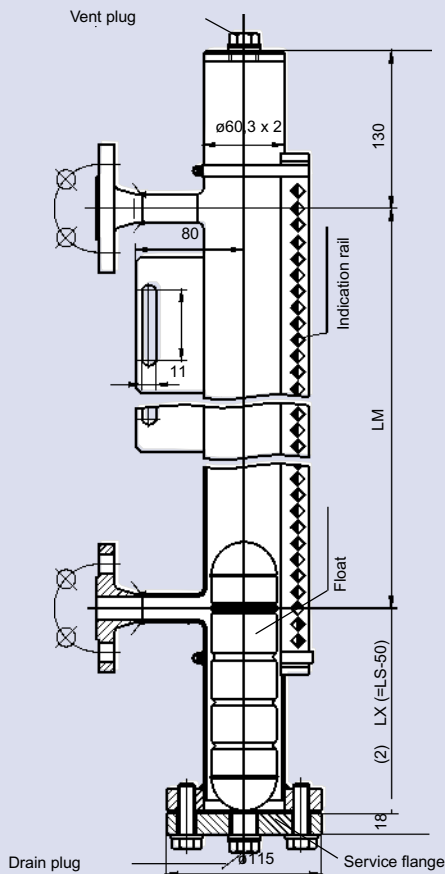
BNA-S41/-S42

09 / 02 BNA-ENG 02/1

BNA-S41



BNA-S42



Technical Data

Standard Standard version:

- Measuring range: L0 max. 6000 mm in one piece,
max. LM in split sections on request
- Bypass tube: Stainless Steel No. 1.4571 (SS 316 Ti)
PN 40, diameter 60,3 x 2 mm
- Proof pressure: 1,5 x max. operating pressure
- Process conn.: G 1/2 top and bottom with plug
- Side connections: Threaded R 1/2, R 3/4, 1" or
DIN flanges DN 15, 25, 32, 40 or 50,
or ASA DN 1/2", 3/4", 1", 1 1/4", 1 1/2"
- Indication rail: Makrolon (Polycarbonate) with red and white
square flags for medium temp. up to 150 °C
- Float(s): Standard PN 40: TT 50/10 in Titanium,
min. density: 0,56 g/cm³, max. temp.: 320 °C
- Type: Top G 1/2, bottom service-flange:
BNA-S41, top and bottom connections G 1/2
BNA-S42, side connections

Options:

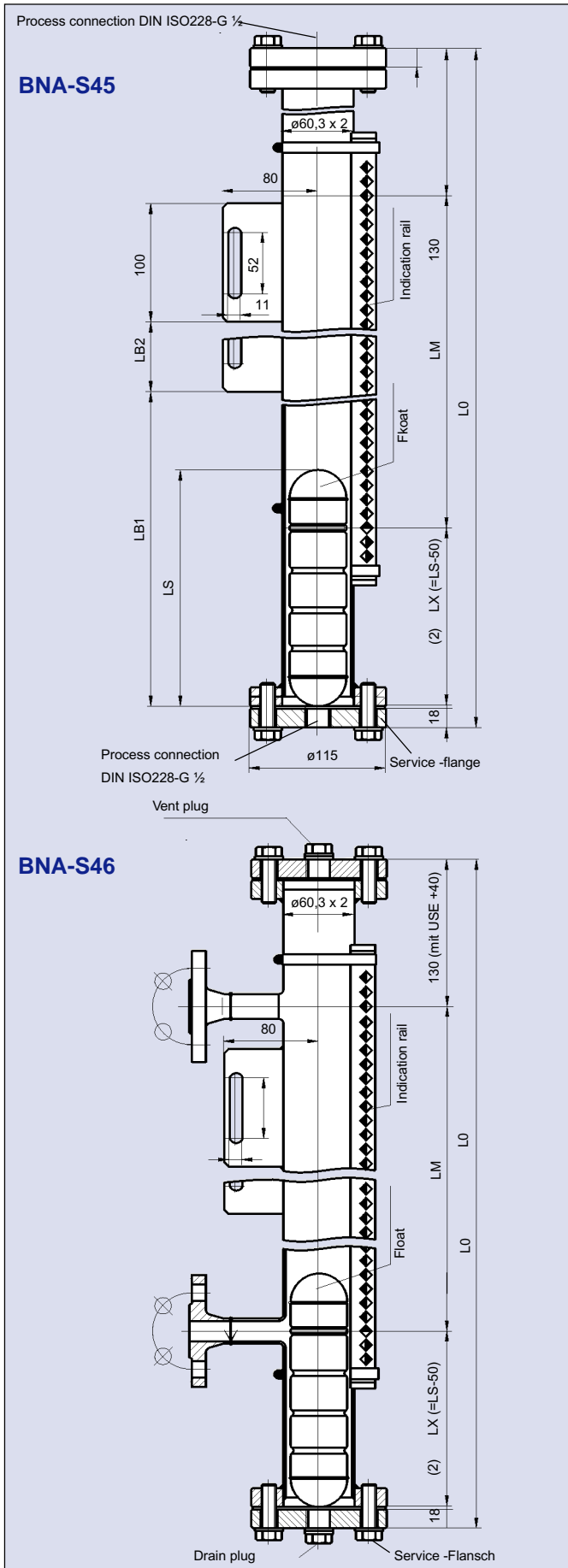
- Indication rail: Aluminum, black anodized,
square flags painted silver/red,
up to max. 350 °C –A2
- Float(s): **TT 50/10** in Titanium,
min. density: 0,57 g/cm³, max. temp.: 320 °C
- Connections: Instead of G 1/2 top and bottom, 1/2" NPT,
or flange connections with
weld neck flanges

Accessories:

- Limit switches
- Analog output
- Scale
- Isolation
- Tests / Certificates

Specifications are subject to changes without notice.

BNA-S45/-S46



Technical Data

Standard version:

Measuring range: L0 max. 6000 mm in one piece, max. LM in split sections on request

Bypass tube: Stainless Steel No. 1.4571 (SS 316 Ti)
PN 40, diameter 60,3 x 2 mm

Proof pressure: 1,5 x max. operating pressure

Process conn.: G 1/2 top and bottom with plug

Side connections: Threaded R 1/2, R 3/4, 1" or
DIN flanges DN 15, 25, 32, 40 or 50,
or ASA DN 1/2", 3/4", 1", 1 1/4", 1 1/2"

Indication rail: Makrolon (Polycarbonate) with red and white square flags for medium temp. up to 150 °C

Float(s): Standard PN 40: TT 50/10 in Titanium,
min. density: 0,62 g/cm³, max. temp.: 320 °C

Type: Top G 1/2, bottom service-flange:
BNA-S45, top and bottom connections G 1/2
BNA-S46, side connections

Options:

Indication rail: Aluminum, black anodized,
square flags painted silver/red,
up to max. 350 °C –A2

Float(s): **TT 50/15** in Titanium, with plug M4
min. density: 0,57 g/cm³, max. temp.: 320 °C

Connections: Instead of G 1/2 top and bottom, 1/2" NPT,
or flange connections with
weld neck flanges

Accessories:

- Limit switches
- Analog output
- Scale
- Isolation
- Tests / Certificates

09 / 02 BNA-ENG 02/1

Specifications are subject to changes without notice.

Order data BNA-S31 to BNA-S46

Type:	Version:
BNA-S31	PN 16, top and bottom G ½ process conn., , service-flange only bottom
BNA-S32	PN 16, side conn., indication rail Makrolon, service-flange only bottom
BNA-S35	PN 16, top and bottom G ½ process conn., indication rail Makrolon, service-flange top and bottom
BNA-S36	PN 16, side conn., indication rail Makrolon, service-flange top and bottom
BNA-S41	PN 40, top and bottom G ½ process conn., indication rail Makrolon, service-flange only bottom
BNA-S42	PN 40, side conn., indication rail Makrolon, service-flange only bottom
BNA-S45	PN 40, top and bottom G ½ process conn., indication rail Makrolon, service-flange top and bottom
BNA-S46	PN 40, side conn., indication rail Makrolon, service-flange only bottom

Side connections:

- R ½" or ½" NPT female threads
- R ¾" or ¾" NPT female threads
- R 1" or 1" NPT female threads
- DN 15 flange PN16 / DIN 2633 or PN 40 / DIN 2635
- DN 20 flange PN16 / DIN 2633 or PN 40 / DIN 2635
- DN 25 flange PN16 / DIN 2633 or PN 40 / DIN 2635
- DN 32 flange PN16 / DIN 2633 or PN 40 / DIN 2635
- DN 40 flange, as above, with concentric reducer from DN 40 to DN 32
- DN 50 flange, as above, with concentric reducer from DN 50 to DN 32
- DN ½" flange PN 16 / 150 lbs, PN 40 / 300 lbs ANSI B 16,5
- DN ¾" flange PN 16 / 150 lbs, PN 40 / 300 lbs ANSI B 16,5
- DN 1" flange PN 16 / 150 lbs, PN 40 / 300 lbs ANSI B 16,5
- DN 1¼" flange PN 16 / 150 lbs, PN 40 / 300 lbs ANSI B 16,5
- DN 1½" flange, as above, with concentric reducer from DN 32 to DN 40
- DN 2" flange, as above, with concentric reducer from DN 32 to DN 50

Dimensions in mm (Examples):

- 2000/1 LM = 2000 mm / in one piece
- 3600/2 LM = 3600 mm / in two pieces

Float:

- VA 50/10 material: 1.4571, max. 25 bar / 150 °C, min. density: 0,62 g/cm³
- VA 50/15 material: 1.4571, as above, with plug M4
- TT 50/10 material: Titanium, max. 40 bar / 320 °C, min. density: 0,56 g/cm³
- TT 50/15 material: Titanium, as above, with plug M4

Indication rail:

- MA Makrolon = standard, max. temp.: 150 °C
- A2 Aluminum painted, max. temp.: 350 °C

Isolation:

- AR Armaflex, foam rubber isolation, temp. limits: -40...105 °C
- GL protective cover; glass fiber tape, temp. limits: -40...500 °C
- PO Polyolefin shrink tubing; weather and dirt protection

Limit switch: (Please note: The first digit indicates the quantity)

- 1GK01 one limit switch GK01, temp. limits: -55...140 °C
- 1GK01L as above, with red and green LED.
- 1GK02 one limit switch EX, temp. limits: -25...75 °C
- 2GKHT1 two limit switches high temperature, temp.: -55...350 °C

Analog output:

- XM potentiometer resistive output
- XMi as above with EEx i approval
- XT with signal cond. 4...20 mA
- XTi with 4...20 mA output EExi

Scale

- SK scale

Heating:

- EL electr. trace heating
- ELX in EEx d
- D double tube

Detailed specification needed in order to process orders

BNA-S32- DN25- 2600/1- VA 50/15- MA- AR- 2GK01- XTi- SK- EL (Example)