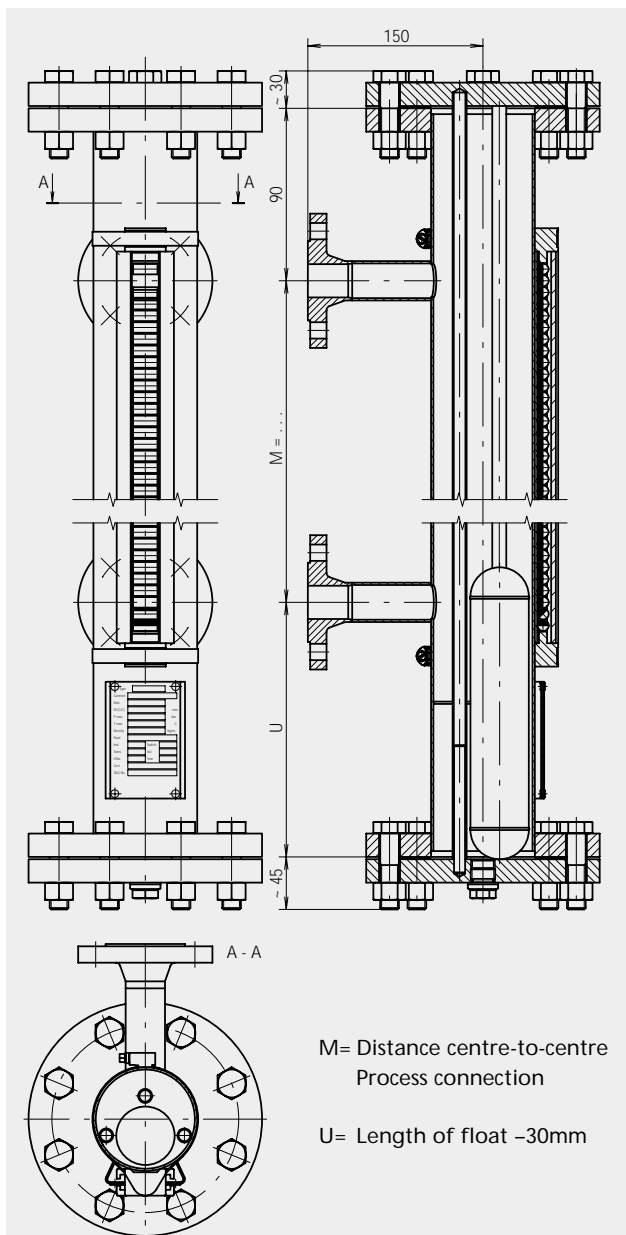


Bypass-Level Indicators - liquid gas design

Type: B.. - ../...-M... - V88 - MRA



Technical data

Chamber: Ø 88,9 x 2mm
 Chamber end top: Flanged DN80
 Options: (see pages 104 and 105)
 - Vent plug BSP 1/2"
 - Vent valve
 - Vent flange

Chamber end bottom: Flanged DN80 with
 drain plug BSP 1/2"
 Options: (see pages 104 and 105)
 - Drain valve
 - Drain flange

Process connections: side - side

Flanges PN16 or 150 lb:
 DIN 2633; DN10 - DN25
 Flanges PN40 or 300 lb:
 DIN 2635; DN10 - DN25
 DIN 2527; DN10 - DN100
 ANSI B 16,5; 1/2" - 4"

Thread or welding stubs:
 GM/... = thread female / size
 GN/... = thread male / size
 S... = welding stubs / Ø

Distance centre to centre M...: min. 150mm to max. 5500mm

Float: Type Z.S../25/200/K74
 Length of float depending on S.G.
 (see page 92)

Material: Stainless steel 1.4571 (316 Ti)
 1.4404 (316L)

Nominal pressure: max. 16 or 25 bar

Temperature range: -60°C to + 200°C
 (until 400°C according to design)

Magnetic roller display: Type MRA-M... -max. 200°C
 Type MRK-M... -max. 400°C

For technical data and further
 designs and options:
 (see pages 99 and 100)

Further options

Magnetic switches: see pages 101 and 102

Level sensors: see page 103

Electrical trace heating: on request

Chamber insulation: on request

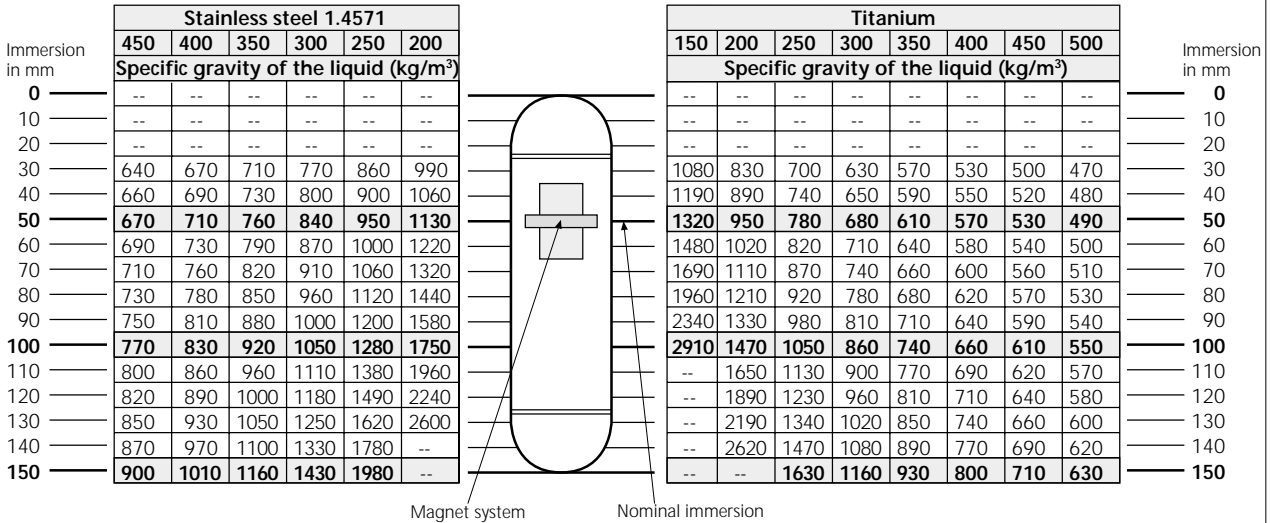
OPTION ATEX 100

Bypass floats for heating jacket and liquid gas design

Immersion depth table in relation to specific gravity of the liquid, float type heating jacket design

Stainless steel 1.4571	Material	Titanium
-70°C to +200°C	Working temp.	-10°C to +200°C
max. 16 bar	Working pressure	max. 16 bar
max. 24 bar	Test pressure	max. 24 bar
50 mm	Diameter	50 mm
ZVS.../16/200/K74	Type code	ZTS.../16/200/K74

Type code key							Type code key							
450	400	350	300	250	200	Float length L (mm)	150	200	250	300	350	400	450	500
851	753	654	556	458	360	Volume (cm ³)	268	369	471	572	673	775	876	978
518	477	435	397	356	315	Weight (g)	243	272	301	332	362	391	419	438



Immersion depth table in relation to specific gravity of the liquid, float type heating jacket or liquid gas design

Stainless steel 1.4571	Material	Titanium
-70°C to +200°C	Working temp.	-10°C to +200°C
max. 25 bar	Working pressure	max. 25 bar
max. 37,5 bar	Test pressure	max. 37,5 bar
50 mm	Diameter	50 mm
ZVS.../25/200/K74	Type code	ZTS.../25/200/K74

Type code key							Type code key							
450	400	350	300	250	200	Float length L (mm)	150	200	250	300	350	400	450	500
851	753	654	556	458	360	Volume (cm ³)	268	369	471	572	673	775	876	978
530	489	447	405	364	323	Weight (g)	247	280	313	348	378	407	439	462

