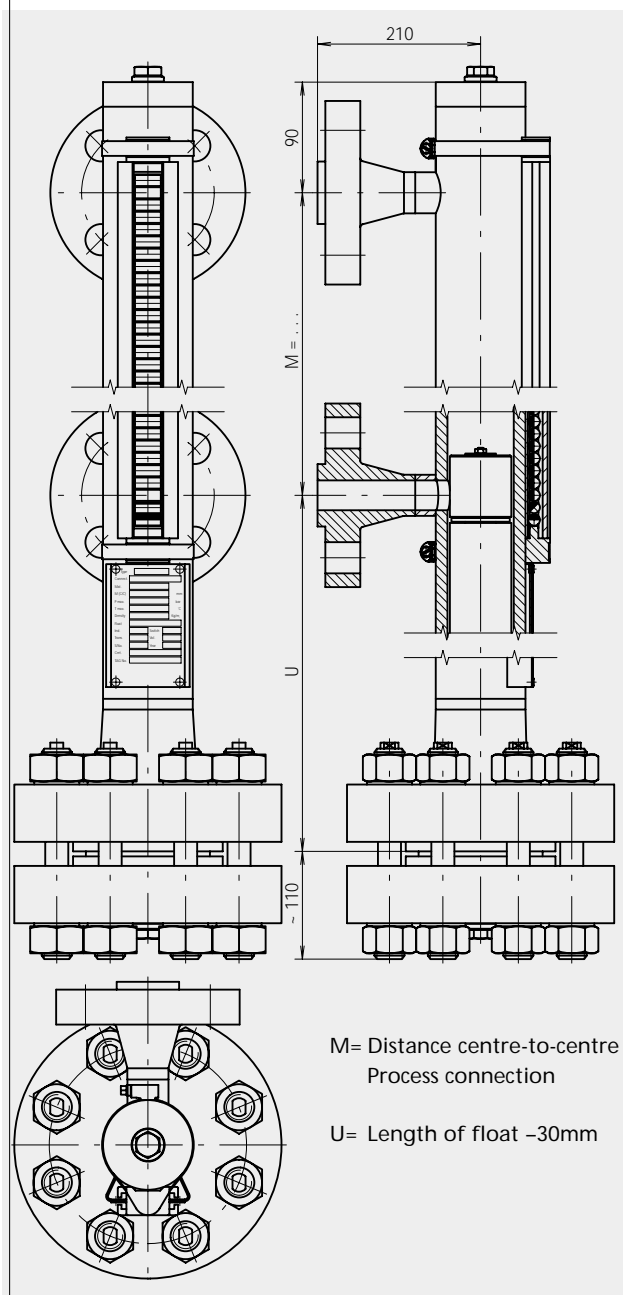


Bypass-Level Indicators PN100 to PN400

PN 100: Type: B.. - ../100-M... - V65 x 3,5 - MRA
 PN 160: Type: B.. - ../160-M... - V73 x... - MRA
 PN 250: Type: B.. - ../250-M... - V73 x... - MRA
 PN 400: Type: B.. - ../400-M... - V73 x... - MRA



Technical data

Chamber:	PN 100: Ø 65 x 3,5 mm PN 160: Ø 73 x ... mm PN 250: Ø 73 x ... mm PN 400: Ø 73 x ... mm
Chamber end top:	Flat top or flanged DIN DN50/PN100 to PN400 or ANSI 2" / 2,5" 600lb to 2500lb Options: (see pages 104 and 105) - Vent plug BSP 1/2" - Vent valve - Vent flange
Chamber end bottom:	Flanged DIN DN50/PN100 to PN400 or ANSI 2" / 2,5" 600lb to 2500lb with drain plug BSP 1/2" Options: (see pages 104 and 105) - Drain valve - Drain flange
Process connections:	side - side Flanges DIN PN100 to PN400 or ANSI 600lb to 2500 lb: DIN 2627; DN10 - DN15 DIN 2637; DN10 - DN25 DIN 2527; DN10 - DN100 ANSI B 16,5; 1/2" - 4" Thread or welding stubs: GM/... = thread female / size GN/... = thread male / size S... = welding stubs / Ø
Distance centre to centre M...:	min. 150mm to max. 5500mm (other dimensions on request)
Float:	Type Z.S./.../.../... Length of float depending on S.G., pressure and temperature (design according to calculation)
Material:	Stainless steel 1.4571 (316 Ti) 1.4404 (316L)
Nominal pressure:	100 bar to max. 400 bar
Temperature range:	PN 100 :-30°C to + 300°C PN 160 :-30°C to + 250°C PN 250 :-30°C to + 200°C PN 400 :-30°C to + 120°C
Magnetic roller display:	Type MRA-M... -max. 200°C Type MRK-M... -max. 400°C Type MNA-M... For technical data and further designs and options: (see pages 99 and 100)
Further options	
Magnetic switches:	see pages 101 and 102
Level Sensors:	see page 103
Electrical trace heating:	on request
Chamber insulation:	on request
OPTION	ATEX 100