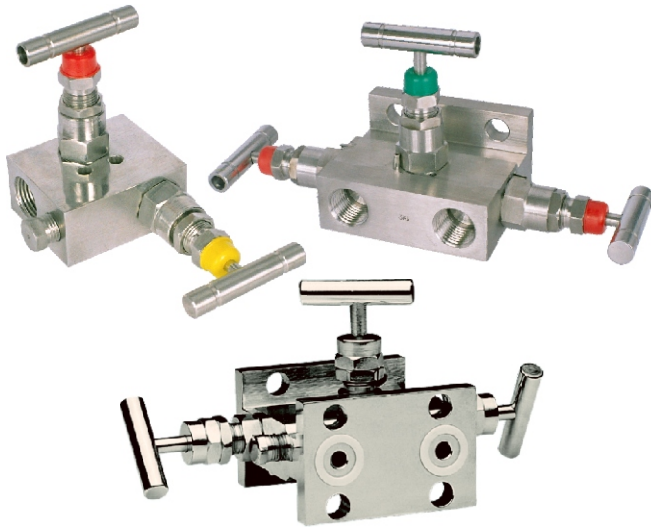




INSTRUMENT MANIFOLDS



PRODUCT DESCRIPTION

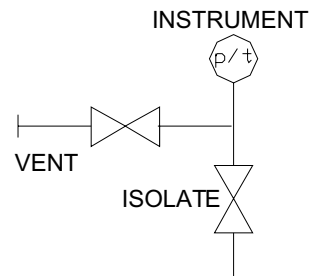
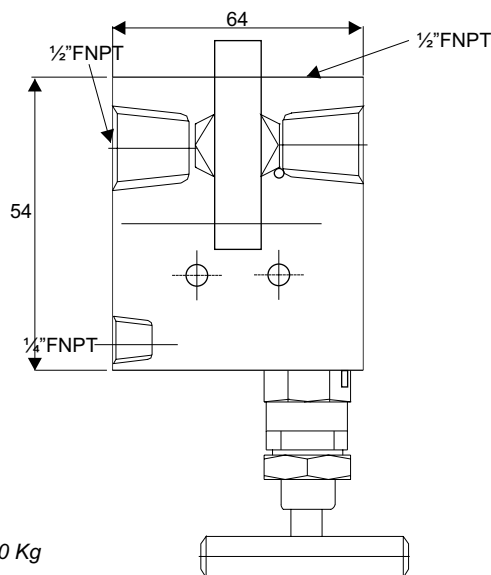
MANIFOLDS ARE USE IN CONJUNCTION WITH PRESSURE GAUGES, DIFFERENTIAL PRESSURE GAUGES & DIFFERENTIAL PRESSURE TRANSMITTER. THEY COMBINE INSTRUMENT ISOLATION & EQUALIZING IN ONE BLOCK RESULTING IN LOWER INSTALLATION COST. THE MANIFOLDS ARE AVAILABLE IN 2WAY, 3 WAY & 5 WAY TYPES WITH REMOTE & DIRECT MOUNTING STYLES

SPECIFICATIONS

STANDARD VERSION

Type	: 2 / 3 / 5 way Manifolds in remote & Direct Mounting
Body Material	: AISI 316 SS / Monel 400 / Hastelloy 'C'
Stem	: AISI 316 SS Cold rolled Surface & Rotating
Stem Packing	: PTFE (Standard) / Graphoil
Thread Size	: ½" NPT / BSP / BSPT
Pressure Vs Temperature Rating	
PTFE :	6000 PSI @ 200° F - 413 bar @ 93° C 4000 PSI @ 500° F - 276 bar @ 260° C
Graphoil :	6000 PSI @ 200° F - 413 bar @ 93° C 1500 PSI @ 1000° F - 103 bar @ 537° C

2 WAY 'R' TYPE



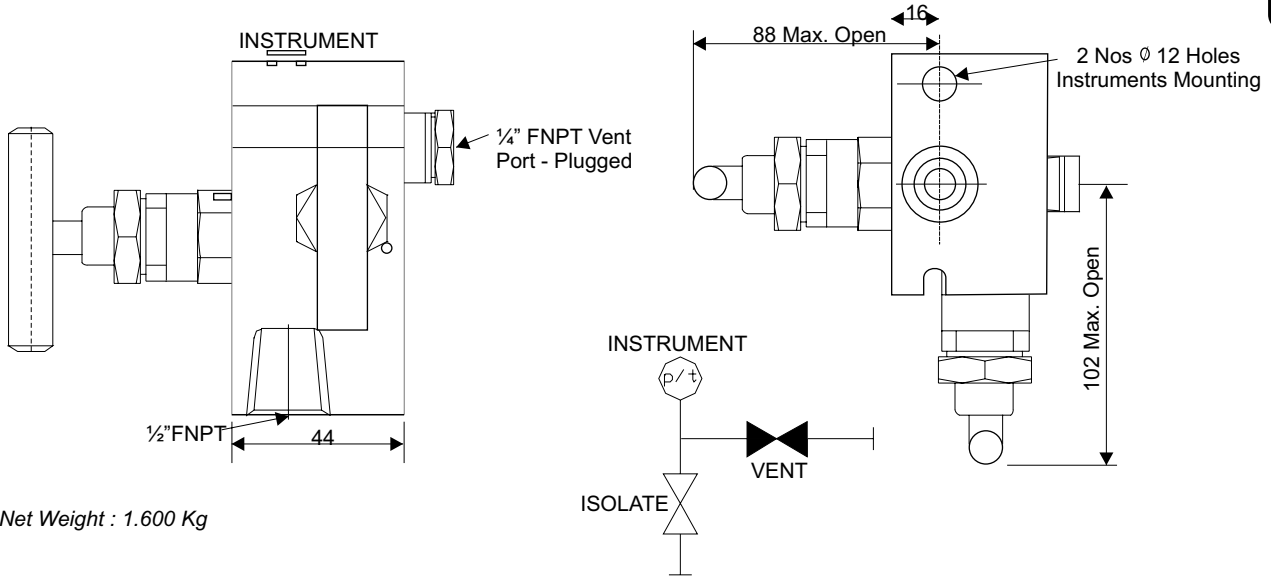
Net Weight : 1.100 Kg
All figures are in mm



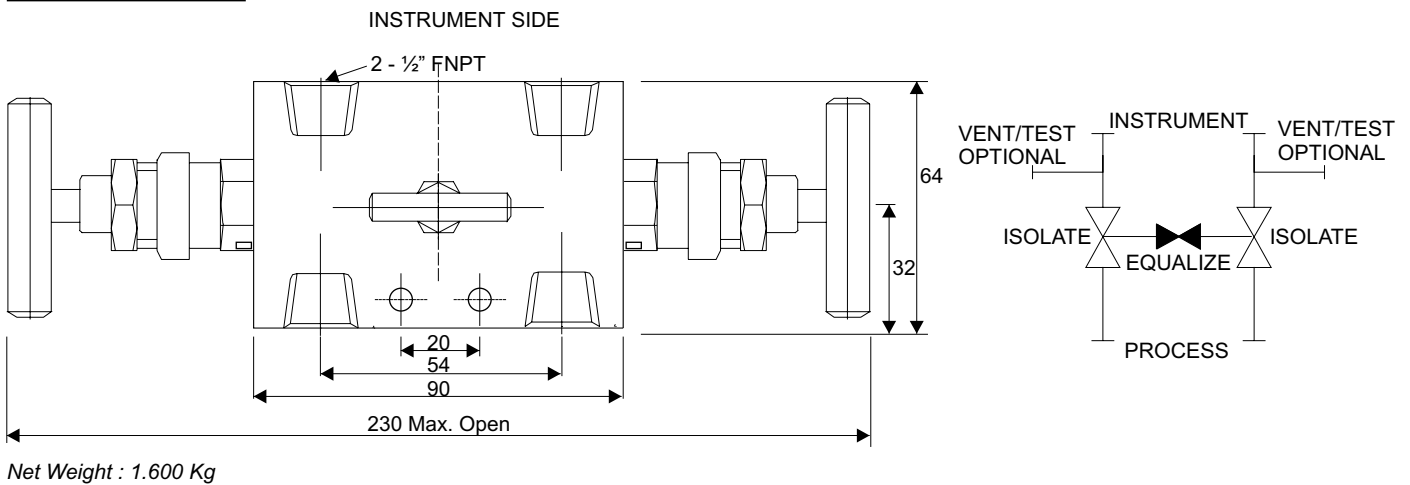
INSTRUMENT MANIFOLDS



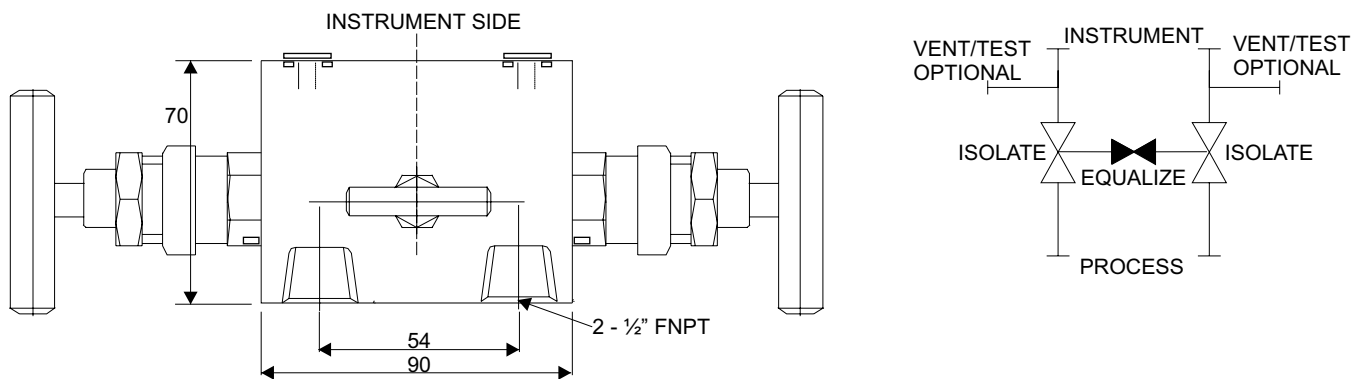
2 WAY 'T' TYPE



3 WAY 'R' TYPE



3 WAY 'T' TYPE



Net Weight : 2.000 Kg

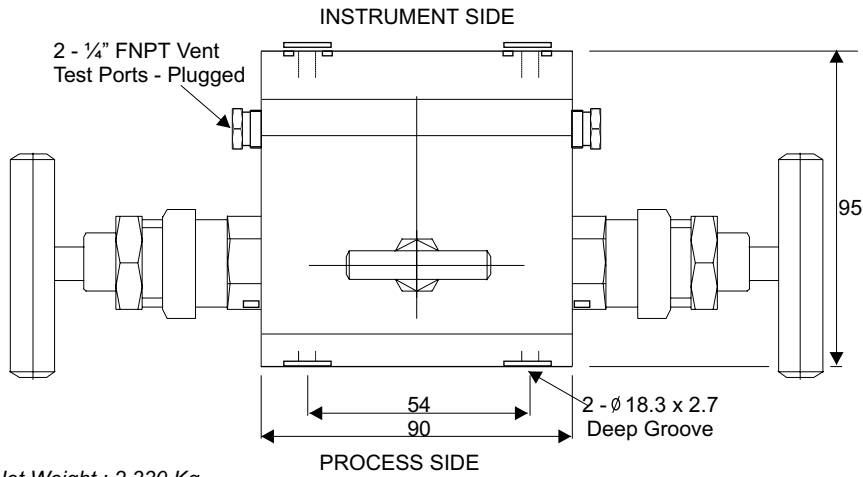
All figures are in mm



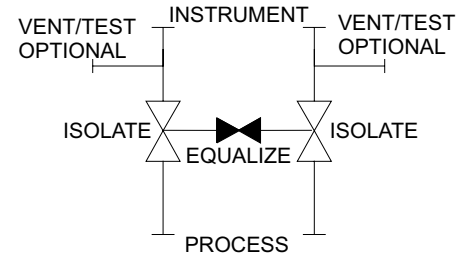
INSTRUMENT MANIFOLDS



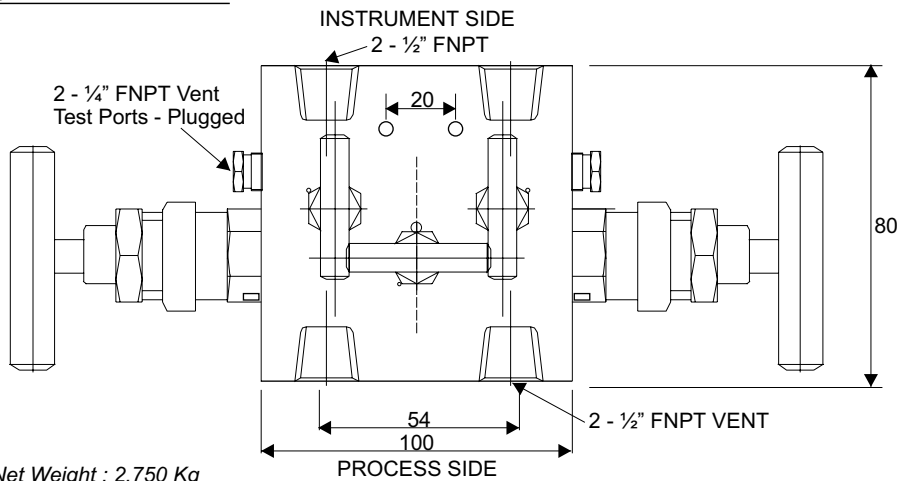
3 WAY 'H' TYPE



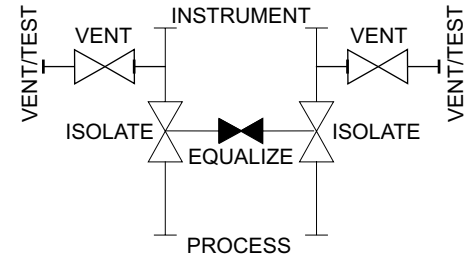
Net Weight : 2.330 Kg



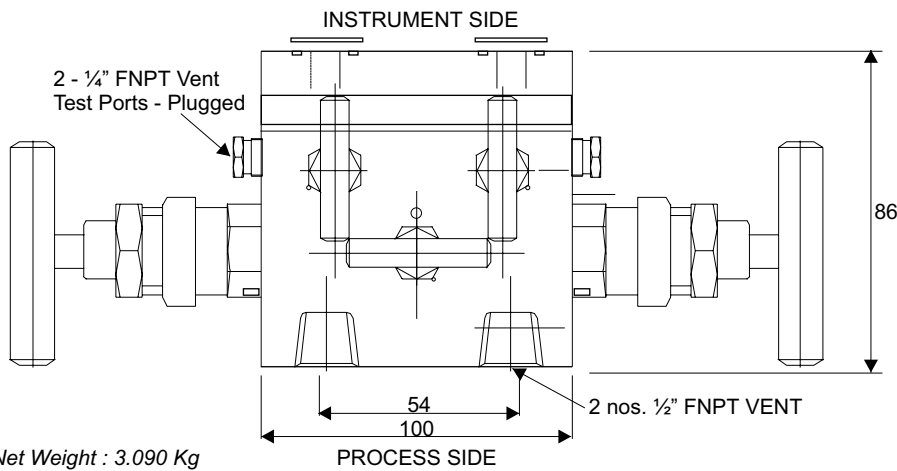
5 WAY 'R' TYPE



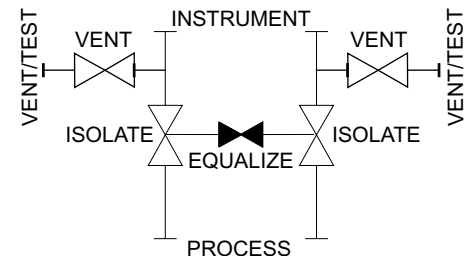
Net Weight : 2.750 Kg



5 WAY 'T' TYPE



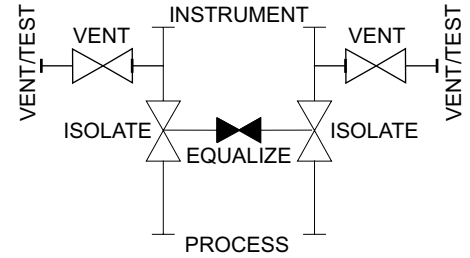
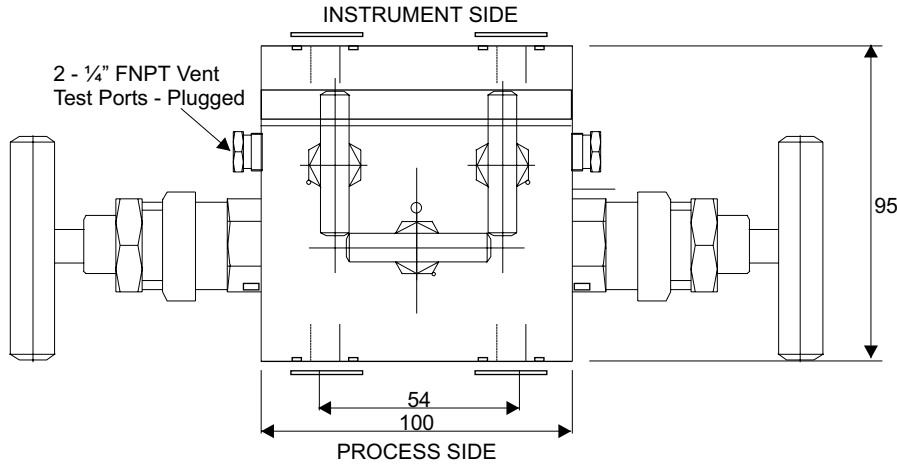
Net Weight : 3.090 Kg
All figures are in mm





INSTRUMENT MANIFOLDS

5 WAY 'H' TYPE



Net Weight : 3.520 Kg
All figures are in mm

HOW TO ORDER

BASIC MODEL

EE			EE						
TYPE									
R2	2 WAY 'R' TYPE	H3	3 WAY 'H' TYPE						
T2	2 WAY 'T' TYPE	R5	5 WAY 'R' TYPE	R2					
R3	3 WAY 'R' TYPE	T5	5 WAY 'T' TYPE						
T3	3 WAY 'T' TYPE	H5	5 WAY 'H' TYPE						
BODY									
TM	AISI 316 SS	TN	ASTM A105						
TL	AISI 316L SS	TX	MONEL 400			TM			
TK	AISI 304 SS	TT	HASTEALLOY 'C'						
STEM									
IH	AISI 316 SS	IF	ASTM A105						
IK	AISI 316L SS	II	MONEL 400			IH			
IG	AISI 304 SS	IJ	HASTEALLOY 'C'						
PACKING									
VI	TEFLON (PTFE)	IC	GRAPHOIL					VI	
CONNECTION									
4NF	1/2" NPT (F)	4QF	1/2" PT (F)						
4BF	1/2" BSP (F)	4JF	1/2" PF (F)					4NF	
4TF	1/2" BSPT (F)								
OPTIONS									
TF	TESTED TO NACE STANDARD	IU	7 / 16" UNF HT STEEL MOUNTING BOLTS						
GH	MATERIAL TEST CERTIFICATE	GO	PRESSURE TEST CERTIFICATE AT 400 BAR						TF
IS	WITH 1/4" DRAIN / VENT	SG	SUITABLE FOR OXYGEN SERVICE						
IT	PTFE SEAL RINGS								