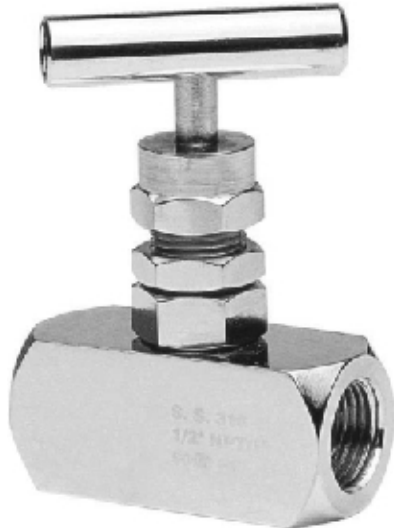




NEEDLE VALVE

ALL STAINLESS STEEL



SPECIAL FEATURES

- SS "T" BAR HANDLE FOR LOW TORQUE OPERATION
- BUBBLE TIGHT SHUTOFF.
- P.T.F.E ADJUSTABLE PACKING INSTALLED BELOW OPERATING THREADS TO PREVENT MEDIA CONTAMINATION OR LUBRICANT WASHOUT OF OPERATING THREADS
- TESTED UPTO 10000 PSI.
- WORKING PRESSURE OF 6,000 PSI / 10000PSI
- TESTED FOR VIBRATION AND THERMAL STABILITY
- SPINDLE FOR LONGER DURABLE OPERATION

SPECIFICATIONS

STANDARD VERSION : GS

Type	: "T" Bar Handle in Stainless Steel
Working Pressure	: 6000 PSI
Working Temperature	: 93° C
Orifice Size	: 4.8mm
Size	: 1/8" To 1"
Body	: AISI 304 SS, AISI 316 SS, Carbon Steel, Hastelloy 'C', Monel
Stem	: AISI 316 SS
Stem Packing	: PTFE

HIGH PRESSURE VERSION : GT

Working Pressure	: 10000 PSI
Body	: AISI 304 SS, AISI 316 SS, Hastelloy 'C', Monel
Other Features	: Refer Specification of Standard Version

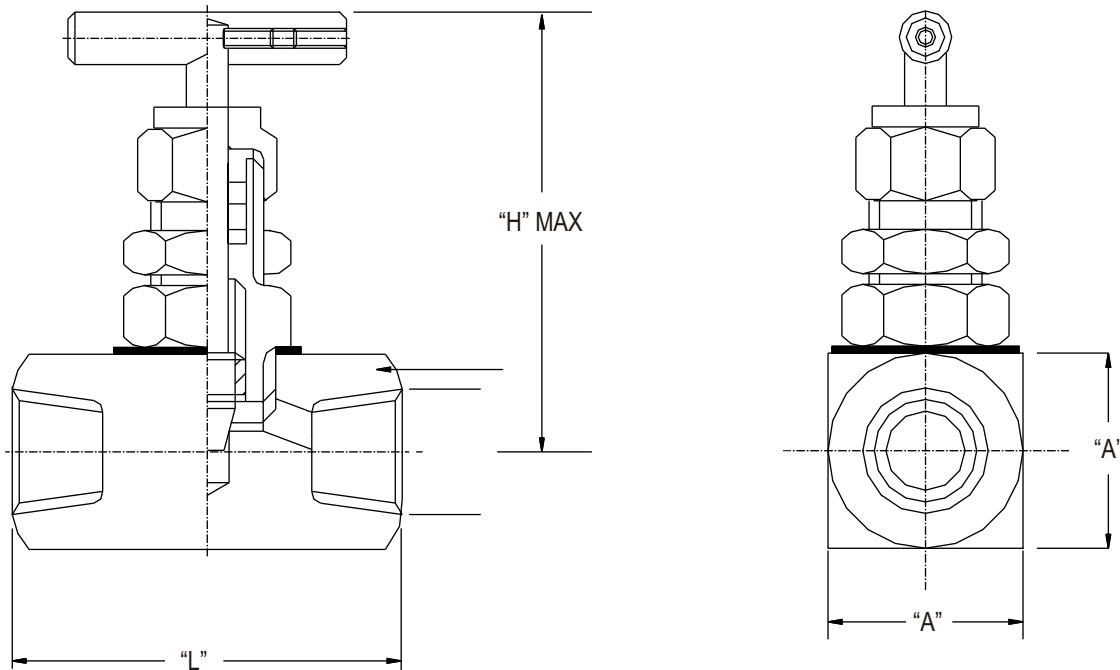
PRESSURE VS TEMPERATURE

PTFE	: 6000 PSI 200°F - 413 BAR @ 93°C
	: 4000 PSI 500°F - 276 BAR @ 260°C
Graphoil	: 6000 PSI 200°F - 413 BAR @ 93°C
	: 1500 PSI 1000°F - 103 BAR @ 537°C



NEEDLE VALVE

ALL STAINLESS STEEL



TECHNICAL DATA

CONNECTION SIZE	CONNECTION	BAR SIZE(A)	LENGTH (mm)(L)	HEIGHT (mm)(H)
1/8"	FF	22	50	60
1/8"	MF	22	55	60
1/8"	MM	22	60	60
1/8"	TO	22	72	60
1/4"	FF	22	60	65
1/4"	MF	22	65	65
1/4"	MM	22	70	65
1/4"	TO	22	85	65
3/8"	FF	25	60	65
3/8"	MF	25	65	65
3/8"	MM	25	70	65
3/8"	TO	25	85	65
1/2"	FF	32	65	70
1/2"	MF	32	70	70
1/2"	MM	32	75	70
1/2"	TO	32	95	70
3/4"	FF	38	75	85
3/4"	MF	38	80	85
3/4"	MM	38	85	85
3/4"	TO	38	105	85
1"	FF	40	85	95
1"	MF	40	104	95
1"	MM	40	105	95
1"	TO	40	80	95

Notes :

Drawing not to scale

All dimensions in mm

MM : Male x Male

FF : Female x Female

MF : Male x Female

TO : Tube OD x Tube OD



NEEDLE VALVE

ALL STAINLESS STEEL

EF

HOW TO ORDER

BASIC MODEL

TYPE

GS STANDARD VERSION **GT** HIGH PRESSURE VERSION

BODY

TN CARBON STEEL (ASTM A105) **TM** MONEL-400
TK AISI 304 SS **TT** HASTELLOY - C
TM AISI 316 SS

STEM PACKING

VI TEFLON (PTFE) **IC** GRAPHOIL

SIZE AT INLET

IGU 1/8" BSP(F)	IHA 1/8" NPT(F)	IHG 1/8" BSPT(F)	IHO 6MM OD
IGV 1/4" BSP(F)	IHB 1/4" NPT(F)	IHH 1/4" BSPT(F)	IHQ 10MM OD
IGW 3/8" BSP(F)	IHC 3/8" NPT(F)	IHI 3/8" BSPT(F)	IHR 12MM OD
IGX 1/2" BSP(F)	IHD 1/2" NPT(F)	IHJ 1/2" BSPT(F)	IHS 14MM OD
IGY 3/4" BSP(F)	IHE 3/4" NPT(F)	IHK 3/4" BSPT(F)	IHT 16MM OD
IGZ 1" BSP(F)	IHF 1" NPT(F)	IHL 1" BSPT(F)	IHV 25MM OD
IFI 1/8" BSP(M)	IFO 1/8" NPT(M)	IFU 1/8" BSPT(M)	IHW 1/8" OD
IFJ 1/4" BSP(M)	IFP 1/4" NPT(M)	IFV 1/4" BSPT(M)	IHX 1/4" OD
IFK 3/8" BSP(M)	IFQ 3/8" NPT(M)	IFW 3/8" BSPT(M)	IHY 3/8" OD
IFL 1/2" BSP(M)	IFR 1/2" NPT(M)	IFX 1/2" BSPT(M)	IHZ 1/2" OD
IFM 3/4" BSP(M)	IFS 3/4" NPT(M)	IFY 3/4" BSPT(M)	IIA 3/4" OD
IFN 1" BSP(M)	IFT 1" NPT(M)	IFZ 1" BSPT(M)	IIB 1" OD

SIZE AT OUTLET

OGU 1/8" BSP(F)	OHA 1/8" NPT(F)	OHG 1/8" BSPT(F)	OHO 6MM OD
OGV 1/4" BSP(F)	OHB 1/4" NPT(F)	OHH 1/4" BSPT(F)	OHQ 10MM OD
OGW 3/8" BSP(F)	OHC 3/8" NPT(F)	OHI 3/8" BSPT(F)	OHR 12MM OD
OGX 1/2" BSP(F)	OHD 1/2" NPT(F)	OHJ 1/2" BSPT(F)	OHS 14MM OD
OGY 3/4" BSP(F)	OHE 3/4" NPT(F)	OHK 3/4" BSPT(F)	OHT 16MM OD
OGZ 1" BSP(F)	OHF 1" NPT(F)	OHL 1" BSPT(F)	OHV 25MM OD
OFI 1/8" BSP(M)	OFO 1/8" NPT(M)	OFU 1/8" BSPT(M)	OHW 1/8" OD
OFJ 1/4" BSP(M)	OFP 1/4" NPT(M)	OFV 1/4" BSPT(M)	OHX 1/4" OD
OFK 3/8" BSP(M)	OFQ 3/8" NPT(M)	OFW 3/8" BSPT(M)	OHY 3/8" OD
OFL 1/2" BSP(M)	OFR 1/2" NPT(M)	OFX 1/2" BSPT(M)	OHZ 1/2" OD
OFM 3/4" BSP(M)	OFS 3/4" NPT(M)	OFY 3/4" BSPT(M)	OIA 3/4" OD
OFN 1" BSP(M)	OFT 1" NPT(M)	OFZ 1" BSPT(M)	OIB 1" OD

OPTIONS

GH MATERIAL TEST CERTIFICATE **TF** SUITABLE NACE VERSION
ID CROSS BAR HANDLE **IE** ROUND HANDWHEEL HANDLE

Angle type needle valves can be provided on request

Note : Due to continuous changes the specification may vary from time to time

EF

GS

TN

VI

IGU

OGU

GH